

The A-Class Limousine.

Just like you.



The new *A-Class Limousine*.



The A-Class Limousine draws inspiration from our childhood dreams and presents a completely new design, one that heralds a new generation of automobiles. The profile is so dynamic yet timelessly elegant. It's time to take your dreams for a drive in the new A-Class Limousine with Mercedes me connect and MBUX.

**Please read the disclaimer.*

More
spacious feeling.



Formal events, or weekend getaways. Family gatherings, or date night. The all-new A-Class Limousine now lets you do more and be more. Never be caught short on space as you keep collecting memories with every escapade in the new A-Class Limousine.

**Please read the disclaimer.*

Knows the way home
and your habits.



MBUX, the new Mercedes-Benz User Experience, introduces artificial intelligence into the A-Class Limousine. It learns more every day and, most importantly of all, gets to know its driver more and more. It can remember your favourite songs and the route to work. It then automatically adjusts the right radio station or shows you a faster way if your usual route is congested. All by itself and as a matter of course, if that is what you want.

**Please read the disclaimer.*

Exemplary safety.



Be it at rush hour, during a long drive at night or an unfamiliar route, your A-Class Limousine noticeably takes the strain off you, particularly in stressful situations. It's all down to a concept that makes every journey in a Mercedes-Benz a safer and exceptional experience: Mercedes-Benz Intelligent Drive. Because the time you spend behind the wheel is your time. Time for relaxation. Time to replenish your energy. So that, above all else, you reach your destination even more safely and are also more relaxed when you get there.

**Please read the disclaimer.*

Fit & Healthy



The new A-Class Limousine is a thoughtful companion through your journey with its Fit & Healthy features that understand, motivate and guide to keep you in the prime of your health while driving.

- ▶ Ambient lighting with 64 colours
- ▶ Cruise Control
- ▶ THERMOTRONIC automatic climate control and integral fine particulate activated charcoal filter
- ▶ Electrically adjustable seats with Memory function and Lumbar support
- ▶ Suspension for greater ground clearance

Complete peace of mind
with an *8-year warranty*.



While you go on your journey from 'Let's go on that trip' to 'Let's not make an impromptu plan', the A-Class warranty will be by your side. In a never-seen-before offer, enjoy an 8-year warranty on your Star's engine and transmission and make the best of every opportunity.

**Please read the disclaimer.*

The dawn of a new design era.
The new *A-Class Limousine*.



The A-Class Limousine is available in 2 variants:
A-Class Limousine Petrol
A-Class Limousine Diesel

**Please read the disclaimer.*

Diesel Engine



These 4-cylinder diesel engines of the latest generation give a lot but take little. This is thanks to their particularly light, compact design and minimal frictional losses. Significantly less noise and vibrations bring the level of refinement virtually to that of petrol engines.

- ▶ All-aluminium construction with low cylinder spacing, camshaft drive at the rear, Lanchester balancer shafts on the left and right positioned next to the crankshaft instead of beneath it: exceptionally compact and light design
- ▶ Plastic engine mounts: quieter and less vibrations
- ▶ NANOSLIDE®: ideal lubrication, reduced friction and maximum wear resistance thanks to extremely hard cylinder contact faces with minuscule pores for oil absorption

Petrol Engine

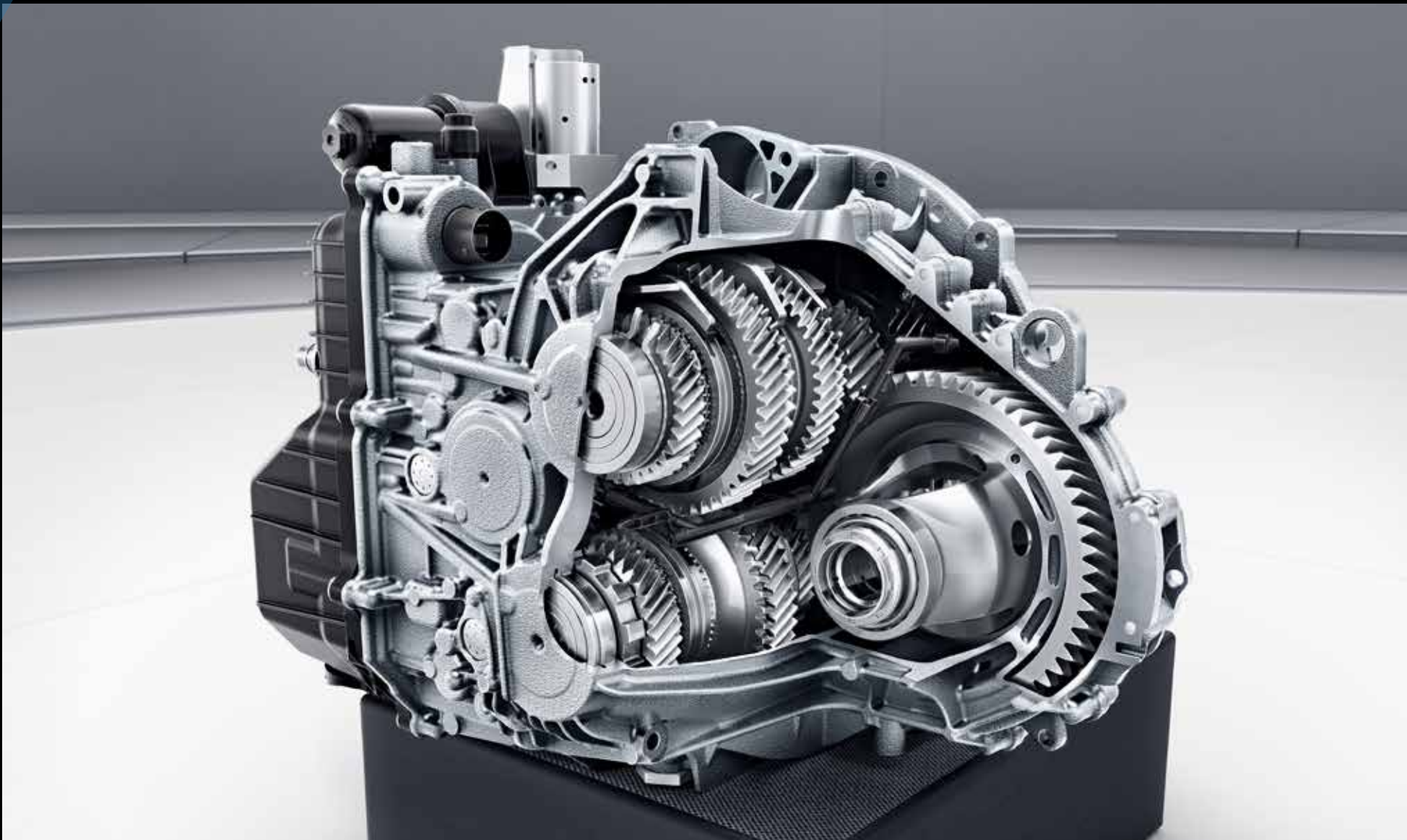


The 4-cylinder engine runs very quietly and is highly refined. A win-win situation is achieved courtesy of the numerous high-tech coatings: they enhance efficiency and reduce wear and tear.

- ▶ A turbocharger controls the charge pressure electronically – more flexibly, more quickly and more precisely, primarily in the partial load range
- ▶ Complex coating system, including extremely hard cylinder barrels featuring NANOSLIDE® technology (iron-carbon) – they provide for ideal lubrication, reduce friction and form the basis for low wear
- ▶ Piston rings with DLC (diamond-like carbon) – is extremely abrasion-resistant and dissipates heat excellently
- ▶ Pistons with friction-reducing coating made of graphite/carbon fibres, among other materials – this also protects the material and reduces consumption

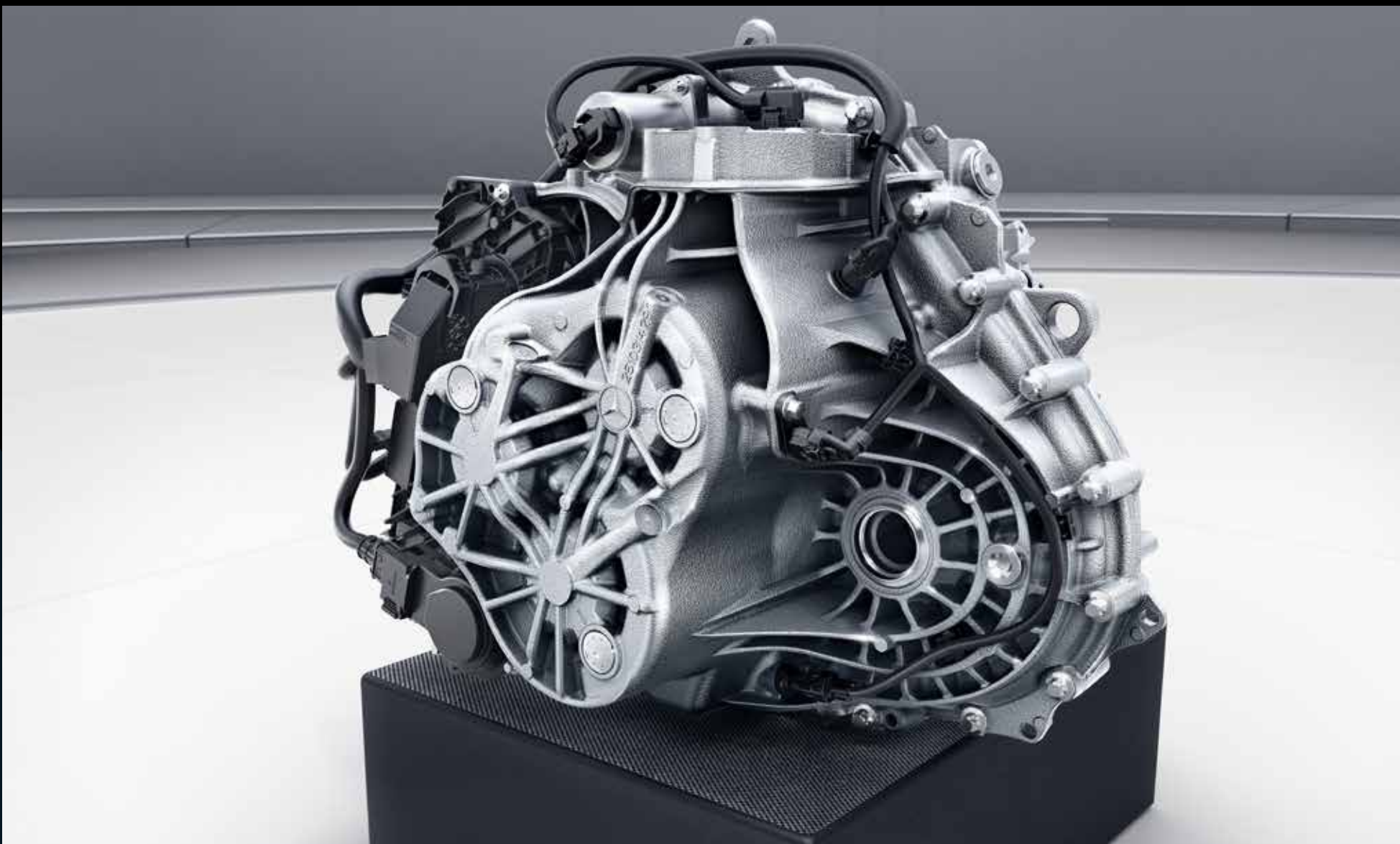
Transmission

8G-DCT (Available with A 200d)



- ▶ 8-speed dual clutch transmission consisting of two sub-transmissions, each with its own clutch
- ▶ 8 forward gears and 1 reverse gear
- ▶ DIRECT SELECT lever on the steering wheel
- ▶ High quality steering wheel shift paddles – on the left for downshifts and on the right for upshifts

7G-DCT (Available with A 200)



- ▶ 7-speed dual clutch transmission consisting of two sub-transmissions, each with its own clutch
- ▶ 7 forward gears and 1 reverse gear
- ▶ DIRECT SELECT selector lever on the steering wheel to engage the gear
- ▶ Steering wheel gearshift paddles - left to change down and right to change up a gear

The stylish new body of the A-Class Limousine



- ▶ Diamond radiator grille with pins in black, painted single louvre and chrome insert
- ▶ Side sill panels painted in the vehicle colour
- ▶ Visible tailpipe trim elements and rear apron with trim in chrome
- ▶ 43.2 cm (17-inch) 5-twin-spoke light-alloy wheels
- ▶ Chrome-plated beltline and window line trim strip
- ▶ Luxury seats incl. Seat Comfort Package (seat cushion depth adjustment)
- ▶ Folding seat backrests in the rear
- ▶ Upholstery in ARTICO man-made leather
- ▶ Multifunction sports steering wheel in leather, with black topstitching and chrome-plated bezel
- ▶ Brown open-pore walnut wood trim
- ▶ Light and sight feature available

LED High Performance headlamps



- ▶ The LED High Performance headlamps provide more safety at night and an unmistakable, distinctive look
- ▶ LED technology illuminates the road ahead better than conventional headlamps – and it uses less energy

Panoramic sliding sunroof



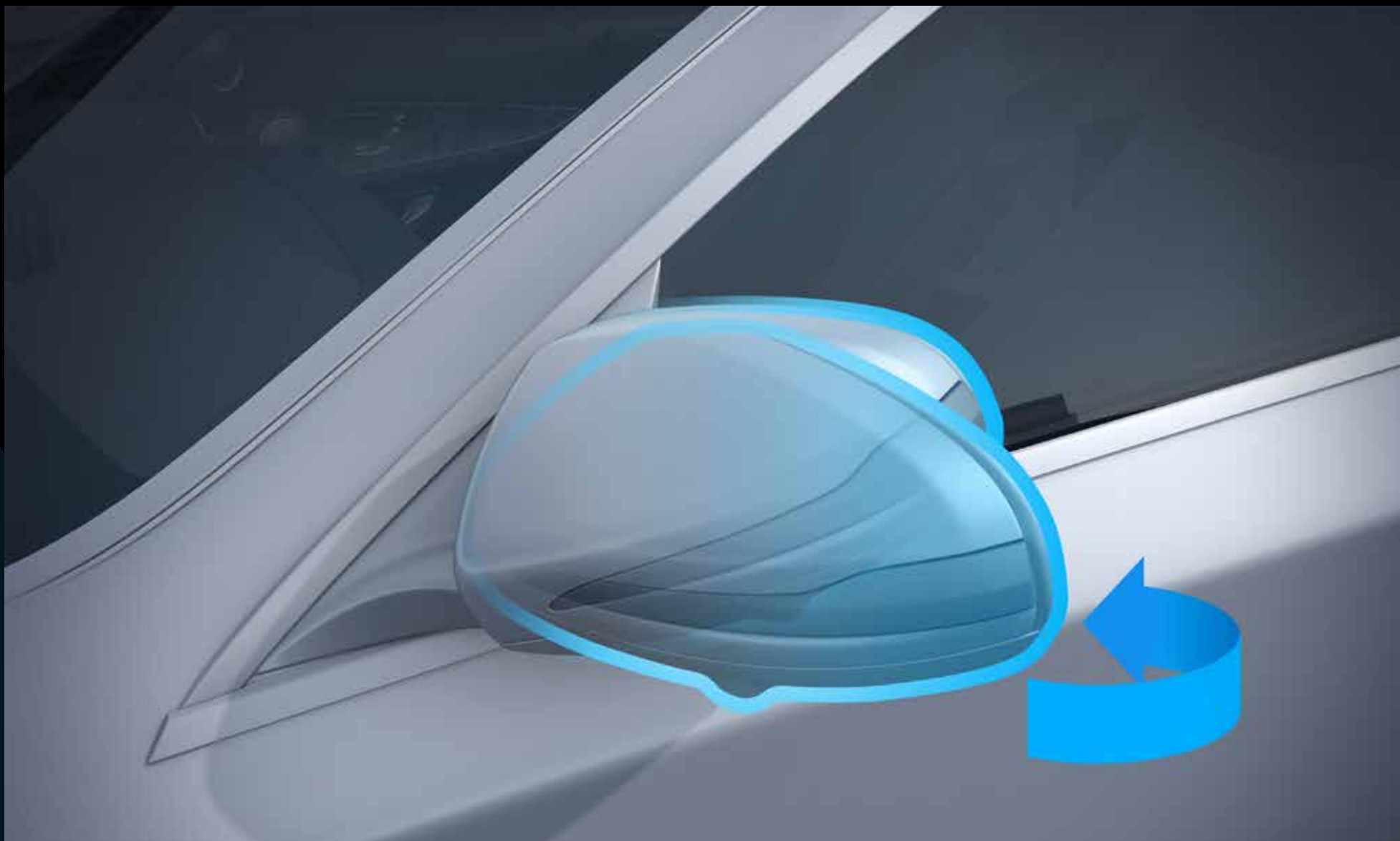
- ▶ Tilt position, automatically adapts to the vehicle speed in three stages
- ▶ Electronic roller sunblind
- ▶ Convenience closing via air recirculation button
- ▶ Automatic rain-sensor closing function

Reversing camera



- ▶ Camera in the release handle in the tailgate (protected against dirt)
- ▶ High-resolution image in the media display
- ▶ Merges guide lines when reverse parking and manoeuvring
- ▶ Automatically switches on when reverse gear is engaged

Mirror package



- ▶ Exterior mirrors fold in and out electrically via a button in the control panel of the driver's door
- ▶ Via the menu, the driver is able to define whether the exterior mirrors are to be automatically folded in when the vehicle is locked and folded out again when it is unlocked
- ▶ The driver's side exterior mirror and the interior mirror automatically dim smoothly in response to the amount of glare and ambient light

Hey Mercedes

MBUX features in the A-Class Limousine

LINGUATRONIC voice control system



- ▶ Just two words “Hey Mercedes.”
- ▶ Obeys every command and talks to you.
- ▶ Check the destination weather, changes the radio station or takes you home on the fastest route.

Individualisation



- ▶ Change the ambient lighting
- ▶ Configure the display styles on the instrument cluster and multimedia system display.
- ▶ Individualise the Touch Control buttons on the steering wheel.

Artificial Intelligence



- ▶ Remembers your favourite songs and the way to your work.
- ▶ Automatically adjusts the right radio station or shows the fastest route.

Touchpad and Touch Control



- ▶ Give you control of every feature like the Ambient Light or navigation system.
- ▶ The touch-sensitive surface can identify your handwriting too.

A-Class Limousine.
with Mercedes *me*



Mercedes me connect

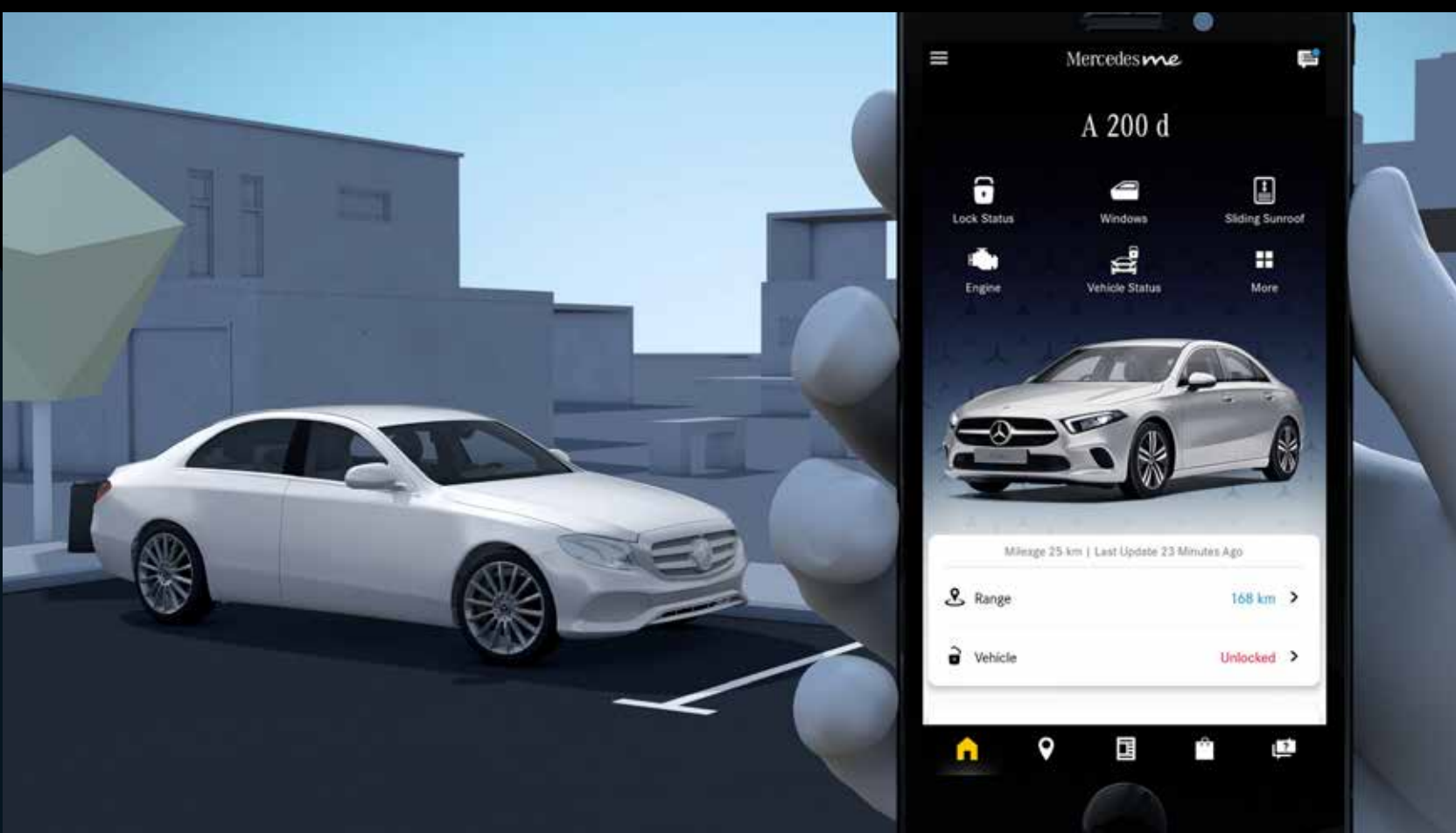
Stay in touch with your vehicles from anywhere in the world, and obtain assistance at the touch of a button.

Vehicle Monitoring



- ▶ Locates and directs you to your parked vehicle within a radius of 1.5 km.
- ▶ You can get your vehicle's geocoordinates sent by GPS.
- ▶ Receives alert notifications if the vehicle exceeds the set speed.

Vehicle Set-up



- ▶ Receives traffic information in real time and optimises dynamic route guidance.

Navigation Connectivity Package



- ▶ The hard disc navigation makes sure that you always reach your destination as quickly as possible by the best route.

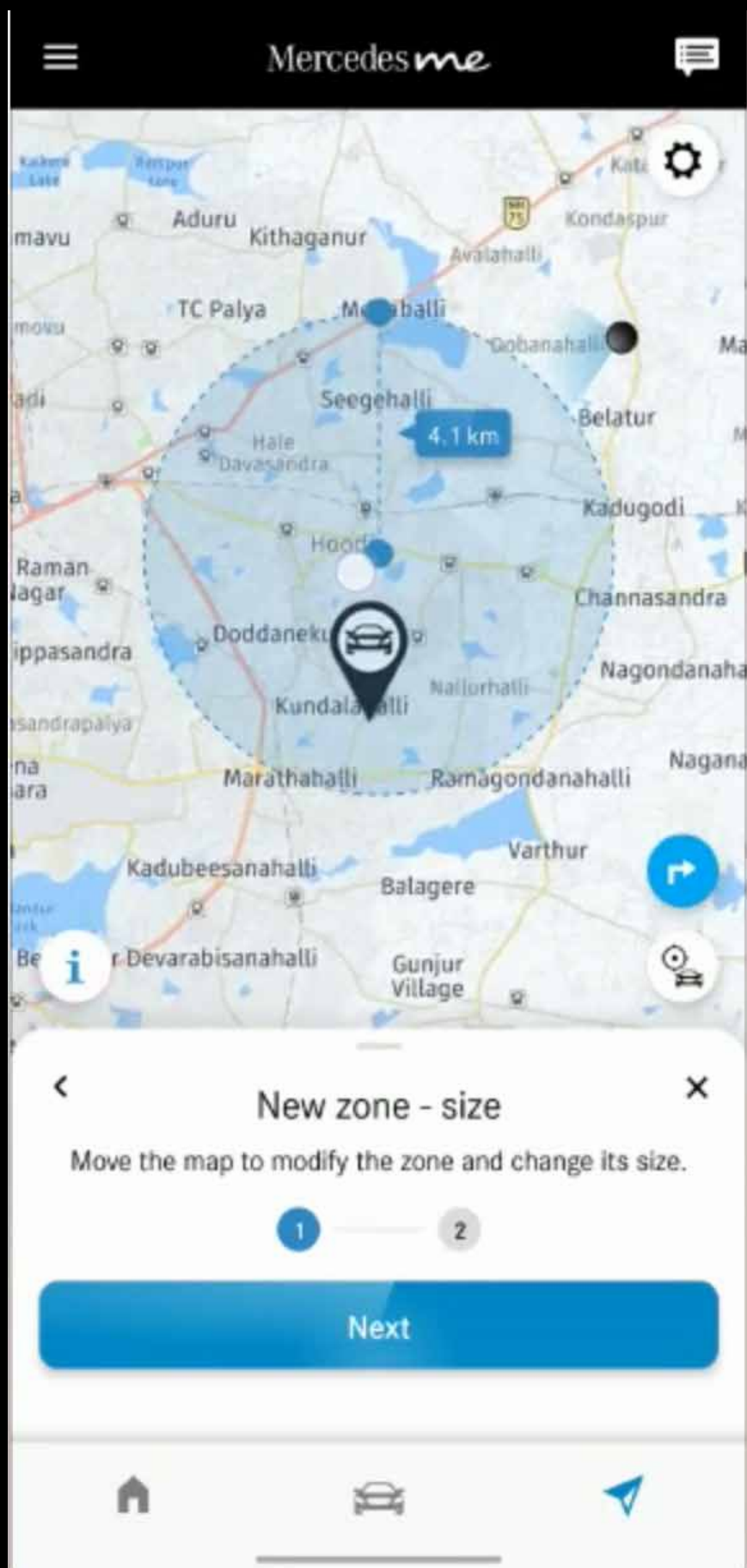
Mercedes-Benz Emergency Call System



- ▶ In case of an accident, a communications module with its own SIM card automatically triggers and also can trigger the meCall.

Mercedes me

The all-new Mercedes me app. With a redesigned user interface, simpler navigation and enhanced features.

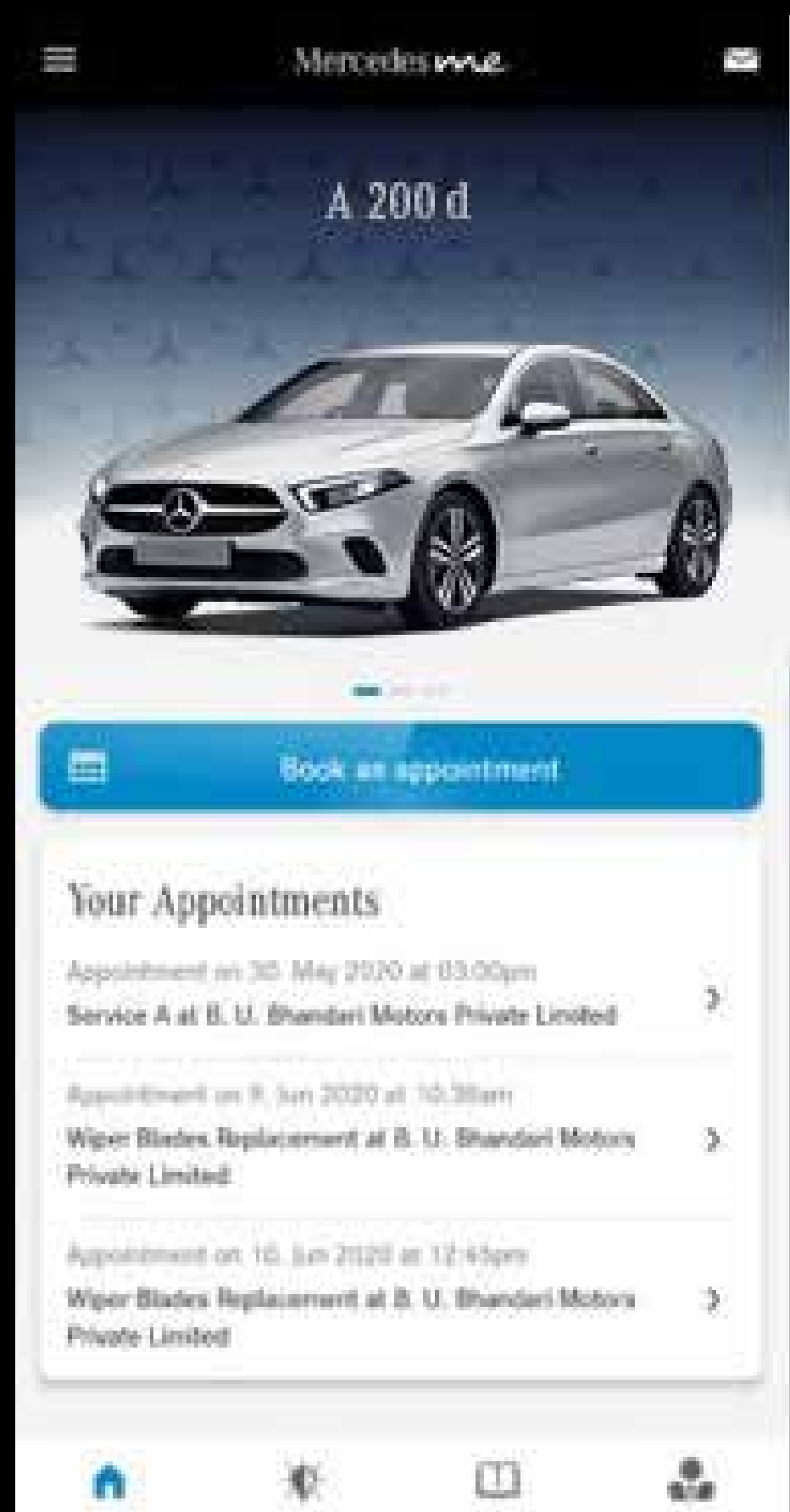


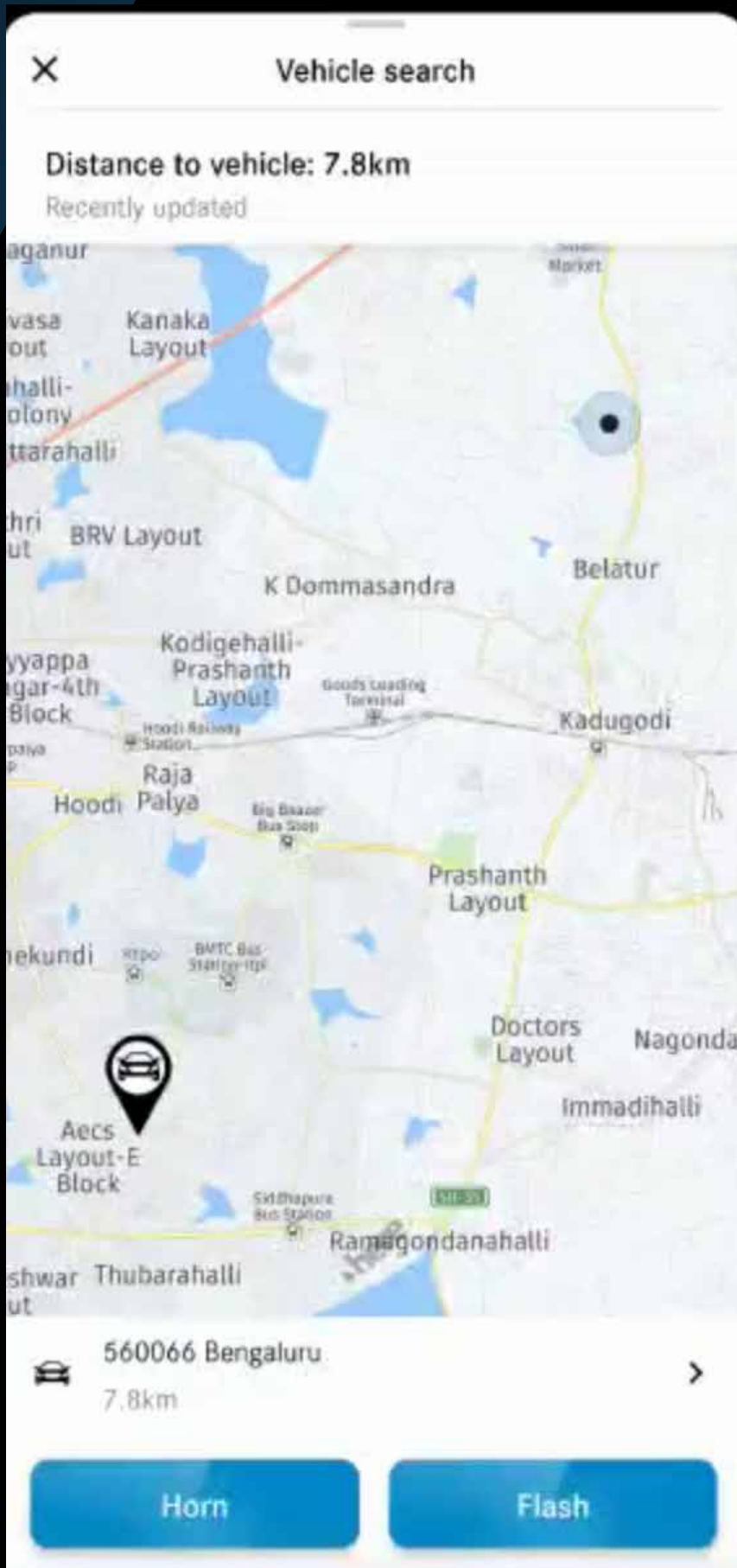
Geo-fencing

Set a perimeter for the car movement and receive notifications in case of vehicle movement beyond the parameter. Hence the feature enables easy monitoring when vehicle is being driven by others.

Windows/sunroof open and close from App

Keep a tab on your Star's maintenance with ease. Get timely maintenance and service reminders. Book a service appointment and search dealerships with a single touch. What's more, access expert tips to keep your Star in its best shape with car care videos.



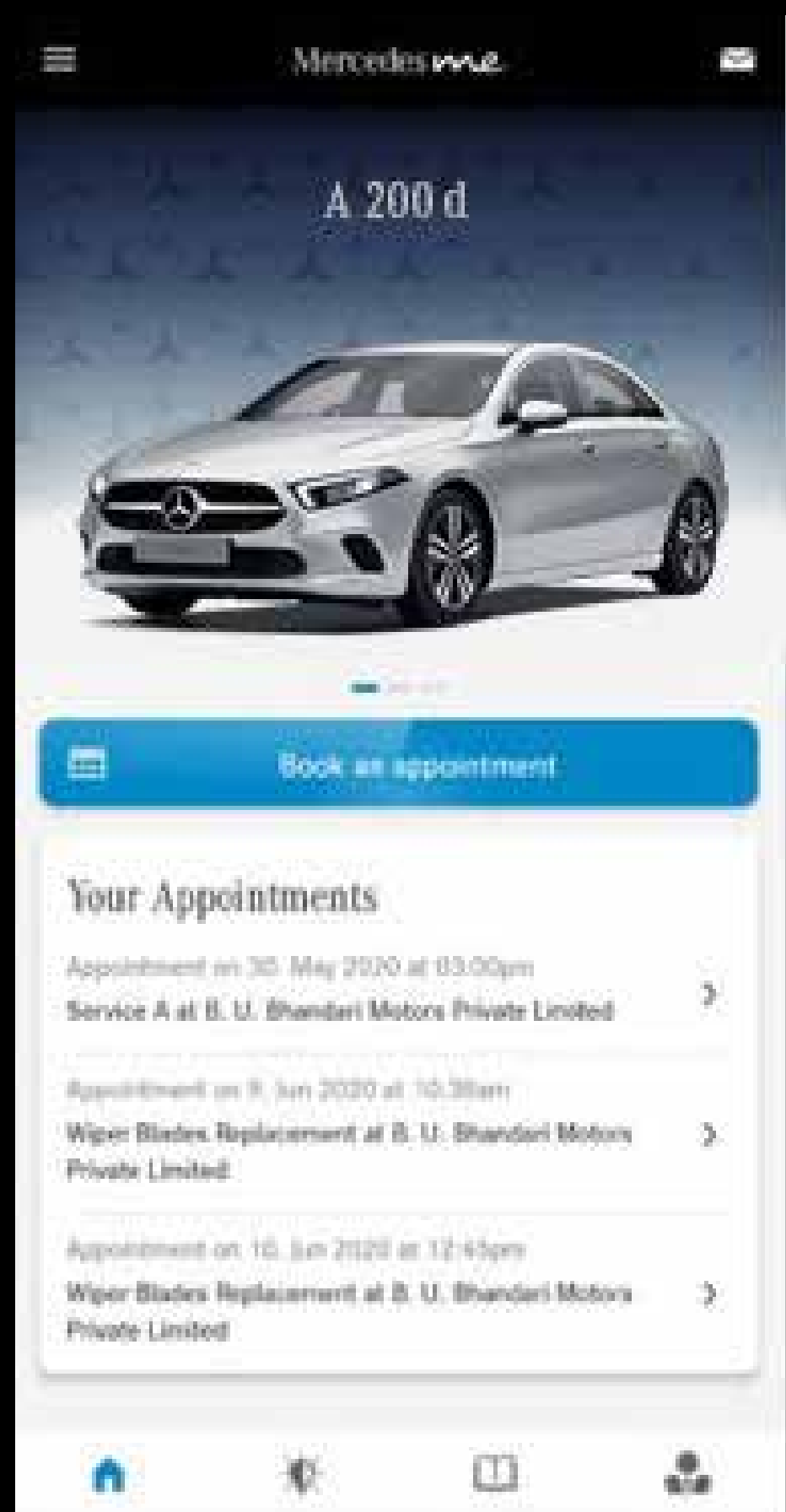


Vehicle Finder (enables horn and light flashing)

- ▶ Find your vehicle in large parking lots with ease. Simply blow the horn or flash the headlamps through the app to locate your vehicle.

Mercedes me Service app: Your digital assistant

- ▶ Set a perimeter for the car movement and receive notifications in case of vehicle movement beyond the parameter. Hence the feature enables easy monitoring when vehicle is being driven by others.



New Mercedes me connect features



- ▶ Alexa Home Integration with Mercedes me connect: Conversations with Alexa are now more fun when the systems connect with your Mercedes Benz via cloud and give you real time updates. This feature can be used from an Alexa Echo device setup at home, office or also from phone's Alexa App The command starts with "Alexa, Ask Mercedes to..." or directly initiate a command by saying "Alexa, tell Mercedes to <command>".
- ▶ Google Home integration with Mercedes me connect: Google Home integration is also offered for Google home users. In a similar way, once the Mercedes me connect is linked to Google Home, you can start issuing commands.
- ▶ Parking location POIs (Points of Interest): The introduction of new Parking solution, shows Parking lots available across different parts of the cities. The Parking POIs (Points of interest) can be seen easily on the navigation system or alternatively also on the Mercedes me App maps section.

Widescreen display



- ▶ The high-resolution media display networks you with the car in a large format 26 cm (10.25 inch).
- ▶ It is touch-sensitive in responding to your input.
- ▶ Symbols make operation easier and improve concentration.
- ▶ Highly appealing combination: when the media display is combined with the larger instrument display, the result is a Widescreen cockpit.

All-digital instrument display



- ▶ The large, high-resolution 26 cm (10.25-inch) display is individually configured by you – for example in the classic form, with the speedometer on the left and the rev counter on the right.
- ▶ Visually impressive and easy to read: travel and driving assistance information is superimposed using the full display area.

Smartphone Integration



- ▶ Links the mobile phone with the media system via Apple® CarPlay® or Android Auto®.
- ▶ Convenient access to the most important apps on your smartphone and third-party providers such as Spotify etc.

Hard-disc navigation



- ▶ Save time through fast hard disk navigation with flexible inputs via touch control or voice input.
- ▶ In this connection, the 3D displays of points of interest, for example, are also a visual delight.
- ▶ The intelligent system guides you reliably to your destination using both local and the most recent online data.

Leather multifunction sports steering wheel



- ▶ Perfect vehicle control, not just on the road surface. It connects you with the vehicle and becomes a control centre.
- ▶ The Touch Control buttons on the left and right operate various navigation, telephony and entertainment functions.
- ▶ The speed/proximity control: everything under control without taking your hands off the steering wheel

Cruise control



- ▶ Enjoy relaxed, fuel-efficient motoring on longer journeys.
- ▶ For this you preselect your desired speed and your vehicle takes over control of the speed.
- ▶ The limiter helps you to observe a maximum speed.
- ▶ This enhances road safety and protects you from expensive speeding tickets.

DYNAMIC SELECT



- ▶ DYNAMIC SELECT rocker switch in the centre console allows selection of four different drive programs: "ECO", "Comfort", "Sport" and "Individual"
- ▶ The drive programs influence engine, transmission, steering, ECO start/stop function, air conditioning and/or, depending on the equipment/model, the suspension (with adjustable damping)

Wireless charging system for mobile devices



- ▶ Wireless charging for compatible mobile phones according to the Qi standard
- ▶ Quick establishment of connection between the multimedia system and mobile phone via Near Field Communication (NFC) for mobile device identification
- ▶ Stowage compartment for wireless charging is located in the front oddments tray in the centre console

Stowage compartment in centre console with retractable cover



- ▶ Stowage compartment with roller cover
- ▶ Integral 12 V and USB ports
- ▶ Cup holder, removable
- ▶ It can house typical everyday items such as the smartphone, wallet or various keys

Double cup holder



- ▶ You can always have a refreshing or warm drink within reach. This is made possible by the double cup holder in the front section of the centre console. You can safely deposit two bottles or mugs in it. And if you remove the double cup holder, you add a large stowage tray to the interior

Ambient lighting



- ▶ All 64 colours can be selected individually
- ▶ Eight colour schemes each consist of two colours – the cockpit and the footwell are kept in the same colour, while the centre area of dashboard forms a contrast
- ▶ The colours are static or slowly replace each other in Dynamic mode to produce a constant change of colour
- ▶ Special emotively appealing effects: a light show welcomes the driver, and the climate control indicates in colour via the ambient lighting whether a warmer or colder temperature is being set

THERMOTRONIC automatic climate control



- ▶ The THERMOTRONIC controls the individual temperature in two zones. And you never have to readjust, because the sensitive sensors even register changes in conditions, such as sunlight.
- ▶ The activated charcoal filter works very efficiently, and apart from particulate matter, it also eliminates harmful substances and unpleasant odours.

Light and Sight package



- ▶ More light sources for good orientation – and they look good too: for example, transparent lenses in the overhead control panel create a three-dimensional crystal effect
- ▶ The vanity mirror in the sunblind is illuminated for a quick glance or when putting on make-up

Electrically adjustable with memory function



- ▶ All seat adjustment functions such as seat height and fore-and-aft position, seat cushion angle and seat backrest inclination
- ▶ The exterior mirrors and the optional head-up-display are also integrated
- ▶ Dynamic seating while driving. Small movements of the seat cushion and the backrest in three programmes and two speeds

Comfort Seats



- ▶ It ensures good long-distance comfort and is extensively adjustable for length and height.
- ▶ You are also able to change the angle of the seat surface, and even lengthen it.
- ▶ Also impressive is the choice of upholsteries and optional comfort functions such as seat climatisation or multicontour seats

Seat Comfort package



- ▶ Front passenger seat height adjustment
- ▶ Seat cushion angle adjustment for the driver and front passenger seat
- ▶ Seat cushion depth adjustment for improved seating comfort thanks to a 60 mm greater supporting surface for the thighs
- ▶ Special seat design

4-way lumbar support



- ▶ For an ergonomic seating position and relaxed back muscles.
- ▶ It adapts the seat contour to your lumbar spine and gives it support.
- ▶ Four settings are possible: higher, lower, weaker or stronger

Rear armrest



- ▶ Relaxed seating position
- ▶ Their ride comfort is also enhanced thanks to two integral cup holders for drinks

Illuminated door sill panels with "Mercedes-Benz" lettering



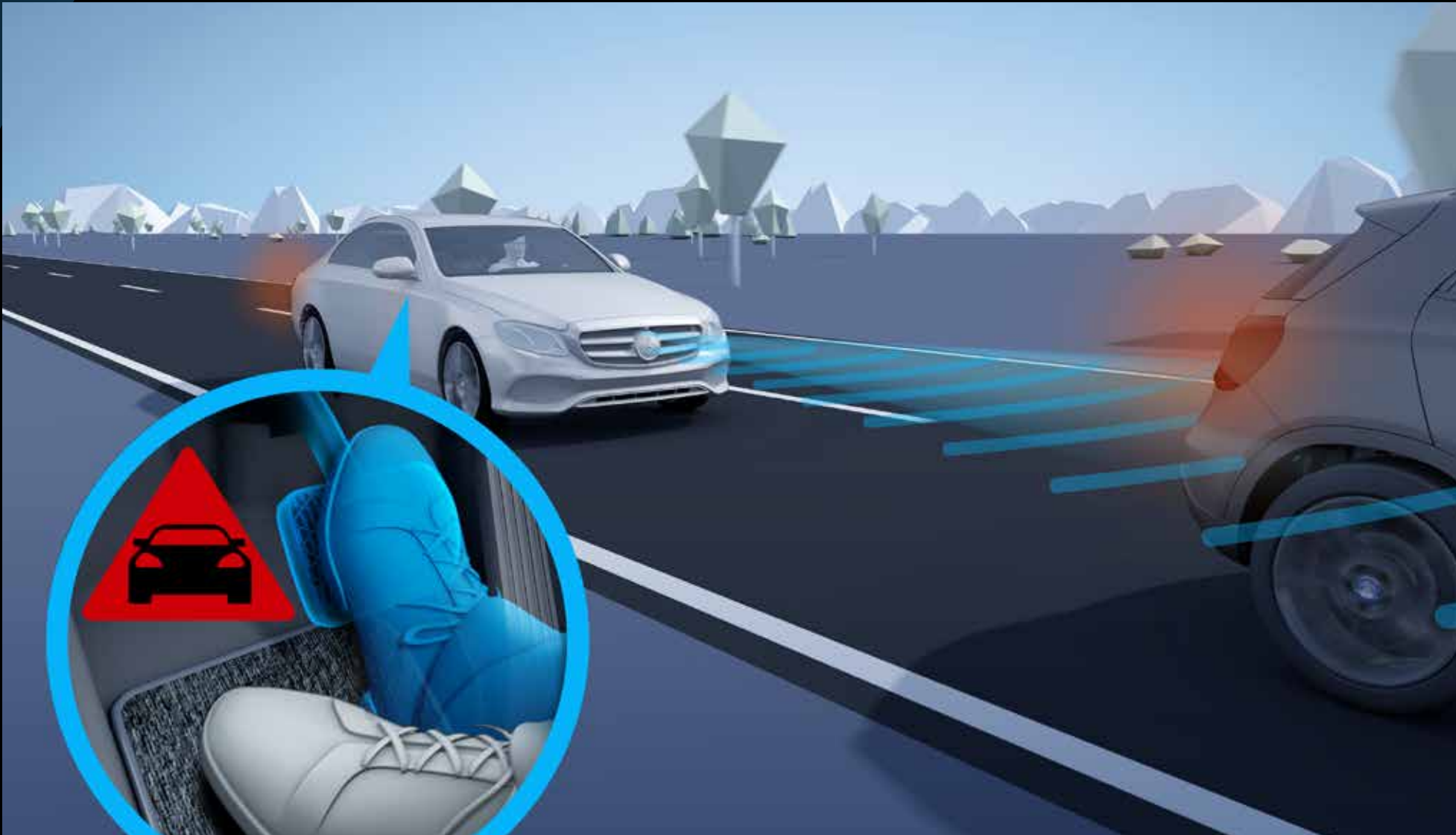
- ▶ Even getting in and out becomes an experience in itself.
- ▶ The high-quality stainless-steel sill panels are illuminated with striking "Mercedes-Benz" lettering

Velour floor mats



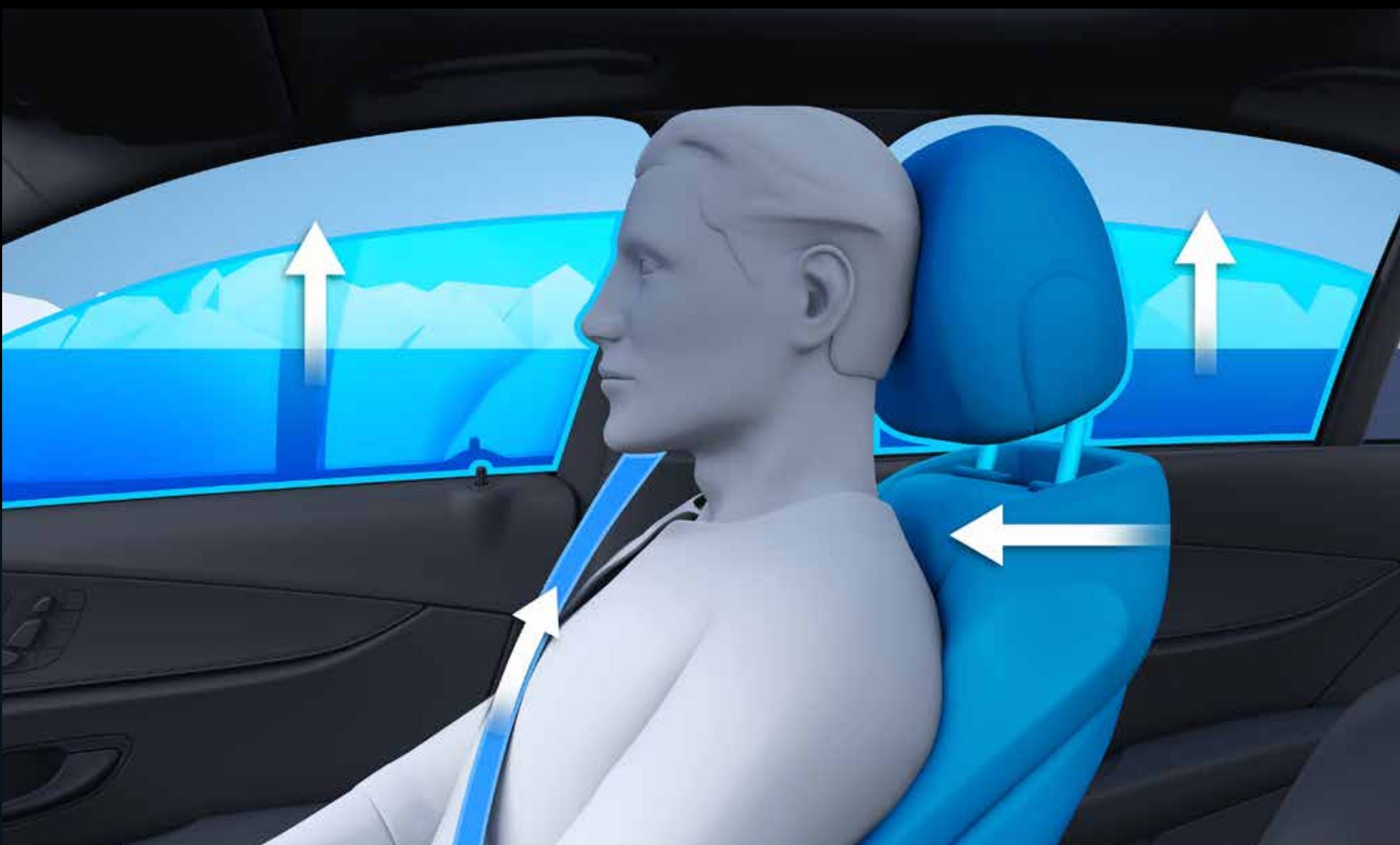
- ▶ They are finished in black and feature elegant topstitching in the respective appointments colour.
- ▶ They protect the footwell against dirt and can be removed easily to be hoovered or cleaned

Active Brake Assist



- ▶ Active Brake Assist is always attentive to you and can help to avoid serious accidents due to insufficient distance or inattentiveness. The system then gives a visual and acoustic warning of an impending collision. If you then brake too weakly, it offers you braking assistance appropriate to the situation.

PRE-SAFE®



- ▶ Makes use of the time prior to an impending accident on your behalf.
- ▶ The innovative PRE-SAFE® Sound generates a noise from the speakers which is able to trigger a protective reflex: your hearing briefly disconnects, thus protecting itself from the loud noises of the crash

Active Bonnet



- ▶ The active bonnet system minimizes pedestrian injuries by lifting the rear edge of the hood when you are involved in an accident. Raising the hood creates additional space that can serve as a cushion between the hood and the engine improving pedestrian protection.

The 8 years you'll be looking forward to.



The all-new A-Class Limousine isn't just best-in-class when it comes to road presence and impressive features. There's more to the Star than meets the eye. To give you an experience like never before, enjoy an 8-year warranty on engine and transmission from the date of the purchase.

Get exclusive benefits such as:

- ▶ Honoured at any of our authorized Mercedes-Benz dealers nationwide
- ▶ Warranty work and repairs performed using Genuine Mercedes-Benz Parts
- ▶ Warranty transferable to the next owner in the event of a sale.

Coverage of the parts such as:

- ▶ Engine and Transmission
- ▶ Torque Converter
- ▶ Supercharger/Turbocharger
- ▶ Engine and Transmission Control Units

Paint



Cosmos Black



Iridium Silver



Denim Blue



Mojave Silver



Mountain Grey



Polar White

Upholstery



ARTICO man-made leather black



ARTICO man-made leather macchiato beige

Trim



Brown open-pore walnut wood trim

ALLOY

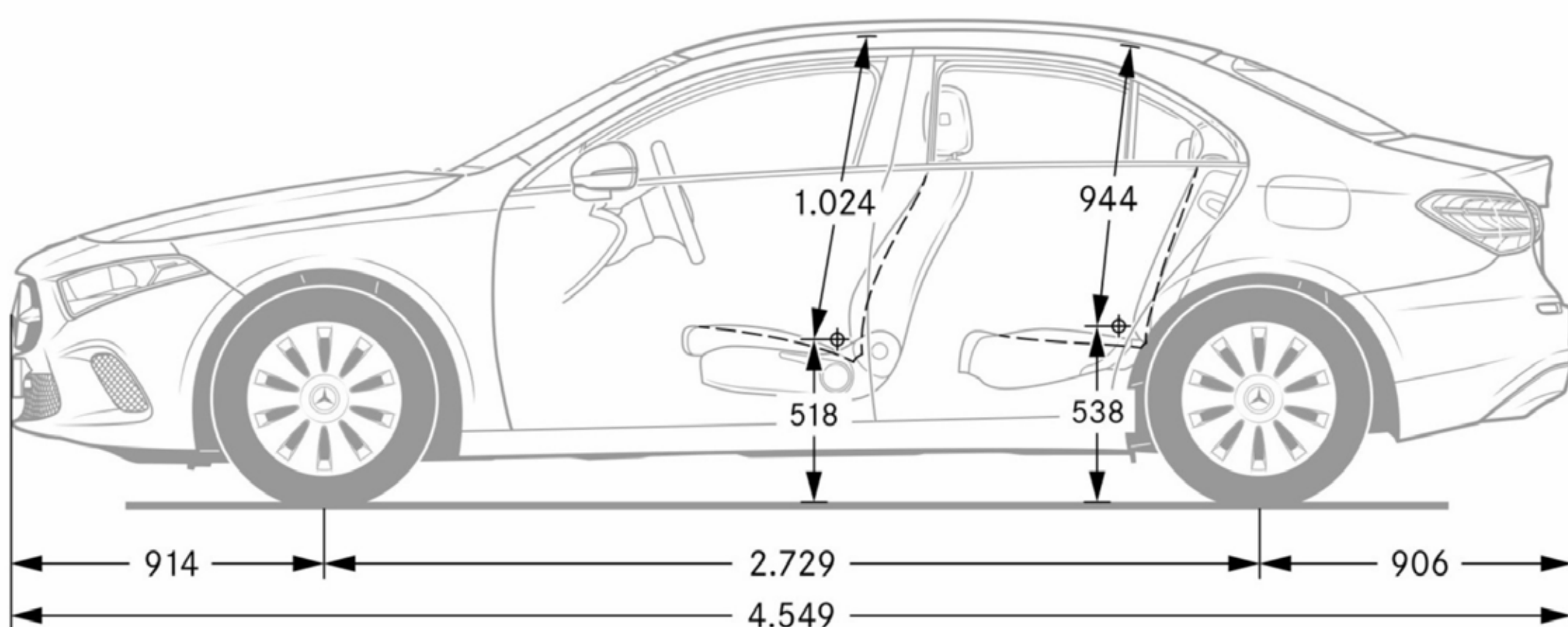
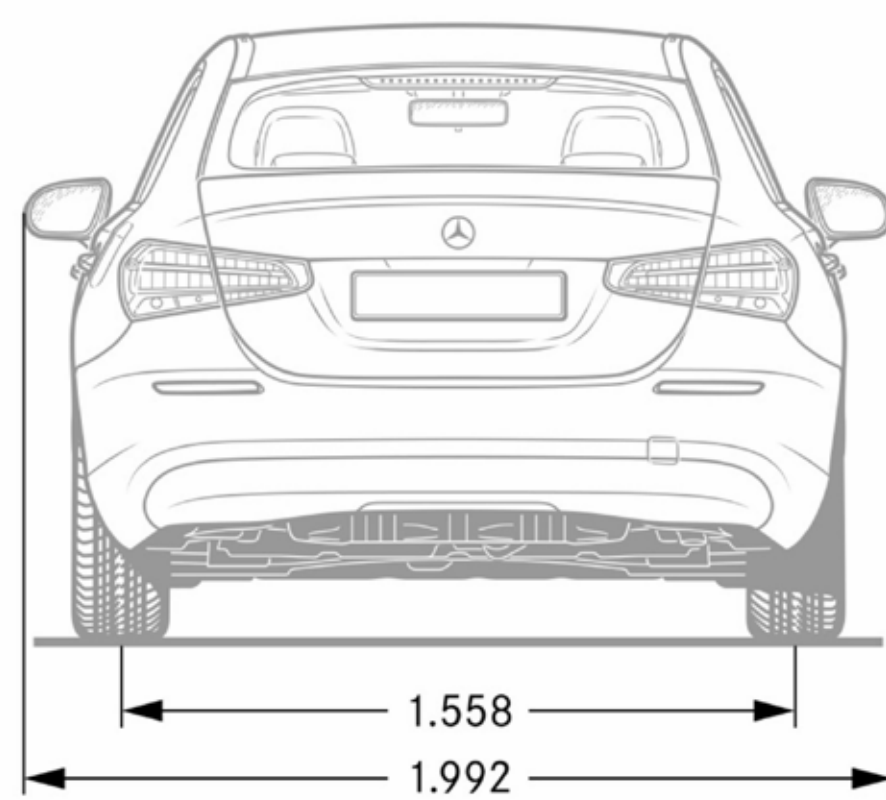
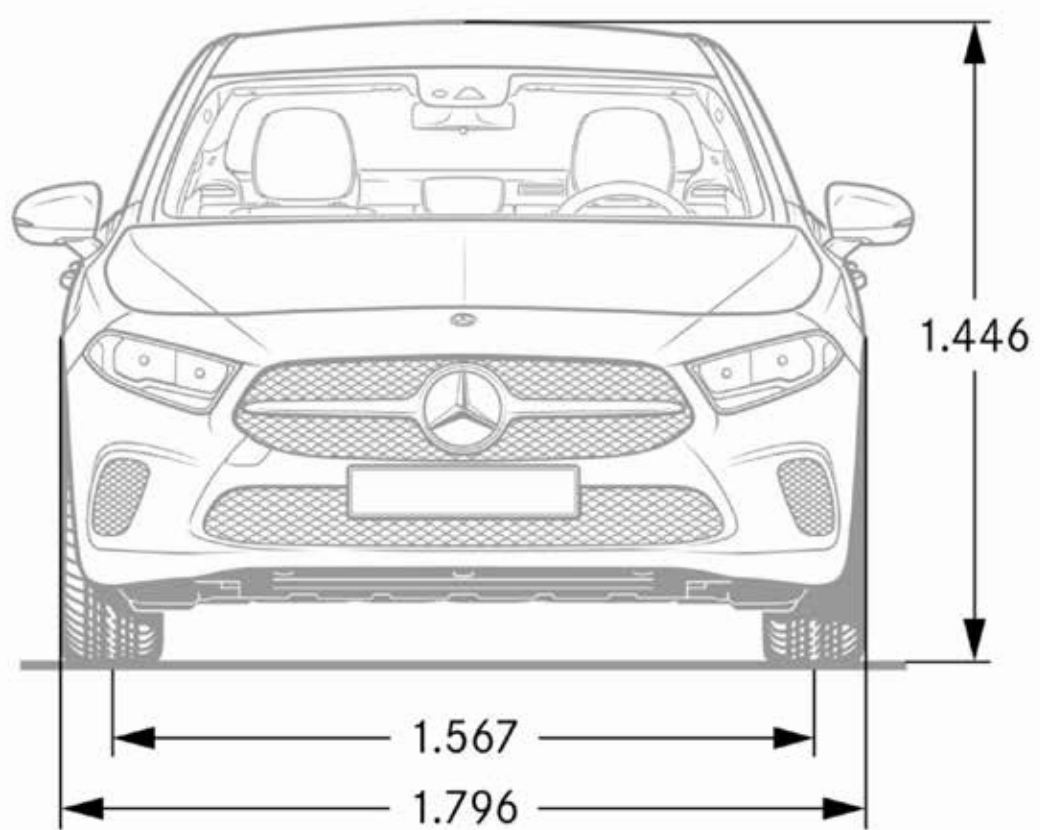


43.2 cm (17-inch) 5-twin-spoke light-alloy wheels painted in matt black with a high-shine finish

TECHNICAL DATA

	A 200	A 200d
Total displacement/No./ arrangement of cylinders	1332 cc/L4	1950 cc/L4
Rated output in kW (hp) @ rpm	120 [163] @ 5500	110 [150] @ 3400 - 4400
Rated torque (Nm @ rpm)	250 @ 1620 - 4000	320 @ 1400 - 3500
Transmission	7G-DCT	8G-DCT
Acceleration from 0 - 100 km/h (sec)	8.3 sec	8.2 sec
Top speed approx (km/h)	230 km/h	227 km/h
Maximum gross weight (kg)	1915 kg	2010 kg
L x W x H (mm)	4549 x 1796 x 1446	4549 x 1796 x 1446

DIMENSIONS



All figures in millimetres. The illustrated dimensions are mean values. They are valid for vehicles in basic specification and in unladen condition.

Mercedes-Benz India Private Limited: E-3, MIDC Chakan - Phase III, Chakan Industrial Area, Kuruli & Nighoje, Tal: Khed, Pune - 410 501 (India) Toll free No.: 0008000501888.
e-mail: cs.ind@cac.mercedes-benz.com, **website: www.mercedes-benz.co.in**

Please note: This brochure is intended for general information, description and illustration of the Product including optional functions and equipment and may not be specific to a Product since specification of a product may change from time to time. Optional features, functions and equipment etc. may not be present in the Standard or Variant Product or Special Edition Product. Further, Standard specifications of a product may also vary from time to time. Colours may differ from those shown in pictures in the brochure. Mercedes-Benz India reserves the right to make changes without prior notice, in design, colours, materials, components, equipment, specifications, features, functions, make and models etc. The information given in this brochure shall be regarded as accurate at the time of launch and may vary thereafter due to any developments or any other reason. Interested customers should reach out to the Authorised Dealer for further information on the exact specifications, features of the product.

Images shown are for representation purposes only. Some of the vehicles in the Brochure are left hand drive wheel. However, Mercedes-Benz India only manufactures and sells vehicles as per the applicable motor vehicle regulations in India. All vehicles sold by Mercedes-Benz Authorized Dealers shall be with right hand drive wheels only.

All title, ownership rights and intellectual property rights in and relating to this brochure/magazine or publication material or any copies thereof including but not limited to copyright, logos, names, trademarks, service marks, design, text, images, links, concepts and themes are owned by Daimler AG and/or its subsidiaries collectively or used under authorised license by the Daimler AG. Any reproduction, transmission, publication, performance, broadcast, alteration, license, creation of derivative works or other use in whole or in part in any manner without the prior written consent of Mercedes-Benz India Pvt. Ltd is strictly prohibited.

Mercedes-Benz cars: The A-Class Limousine meets Bharat Stage VI equivalent emission norms.

CIN - U34102PN1994PTC083160