

The Mercedes-Benz V-Class. Make your Move.



Mercedes-Benz





Make your move.

Get to your destination in style while enjoying every mile. With bespoke configurations that can be moulded to suit your tastes, the Mercedes-Benz V-Class is perfect for a variety of situations. Now easily move through personal and professional environments without compromising on your goals. Mercedes-Benz has always upheld its high levels of comfort and safety and this car provides agility, adaptability and fuel-efficiency as additional perks to help your journey become even smoother. With its exceptional looks and features, you'll be noticed wherever you go. Make the best of both worlds with the Mercedes-Benz V-Class and excel throughout the journey.

*Accessories, colours and fitments shown may not be part of standard specification.

Attractive for all the senses.

Attractive for all the senses. The new Mercedes-Benz V-class is designed to dazzle wherever you go. Featuring a broader new appearance and a striking new front end, this car helps you make an impact both in your personal and professional life. Its new bumper design with striking cooling air inlets and a new diamond structure in the grille allows you to travel in style.



Feel-good ambience, just for you.

Immerse yourself in world-class ambience. With the reclining feature and memory function of its seats, the massage function, allowing you to de-stress after a long day and with the climatized seats that allow you to adjust the temperature of your seat to your liking instantly, the Mercedes-Benz V-Class Elite ensures your comfort comes first.

*Accessories, colours and fitments shown may not be part of standard specification.

Big car for life's little moments.

Whether for the small joys of everyday life or simply for leisure, the new V-Class is ready. With plenty of space and many good ideas for making variable use of the spacious interior. The exclusive-looking cockpit with flawless design and a choice of premium quality materials and opening and closing the electric EASY-PACK tailgate couldn't be easier either – simply press the button. Should you be driving late at night, the ambient lighting will provide an incomparably soothing mood with its atmospheric light.



A model of safety and performance.

The new V-Class supports you with its assistance and safety systems in many handling situations. The Mercedes-Benz Intelligent Drive safety concept comprises modern systems such as the LED Intelligent Light System with Highbeam Assist and Active Parking Assist with a 360° camera, which is unique in this segment. This way you and your passengers can enjoy every mile in the V-Class in safety.

The V 220d BlueEFFICIENCY with 120 kW (163 hp) accelerates from 0 to 100 km/h in almost 11 seconds. Particularly in combination with 9G-TRONIC automatic transmission has nine gears which guarantees powerful fun at the wheel. The large fuel tank with a volume of around 70 litres enables a greater range.

*Accessories, colours and fitments shown may not be part of standard specification.



Something special. On every trip, from any angle. With the Fit & Healthy features.

Not just a means of arrival at your destination, the new V-Class is a thoughtful companion through your journey. The Fit & Healthy features understand, motivate and guide to keep you in the prime of your health while driving. Get ready to elevate your driving experience with a car that cares.

[THERMOTRONIC AC with 3 climate zones and integral fine particulate activated charcoal filter](#) | [Massaging and ventilated seats*](#) | [Burmester® surround sound system**](#) | [Panoramic sliding sunroof**](#) | [Electric Sliding Door](#) | [Ambient lighting](#) | [Cruise Control](#)

*Available with Elite | **Available with Elite and Exclusive

Variants of the all-new V-Class.

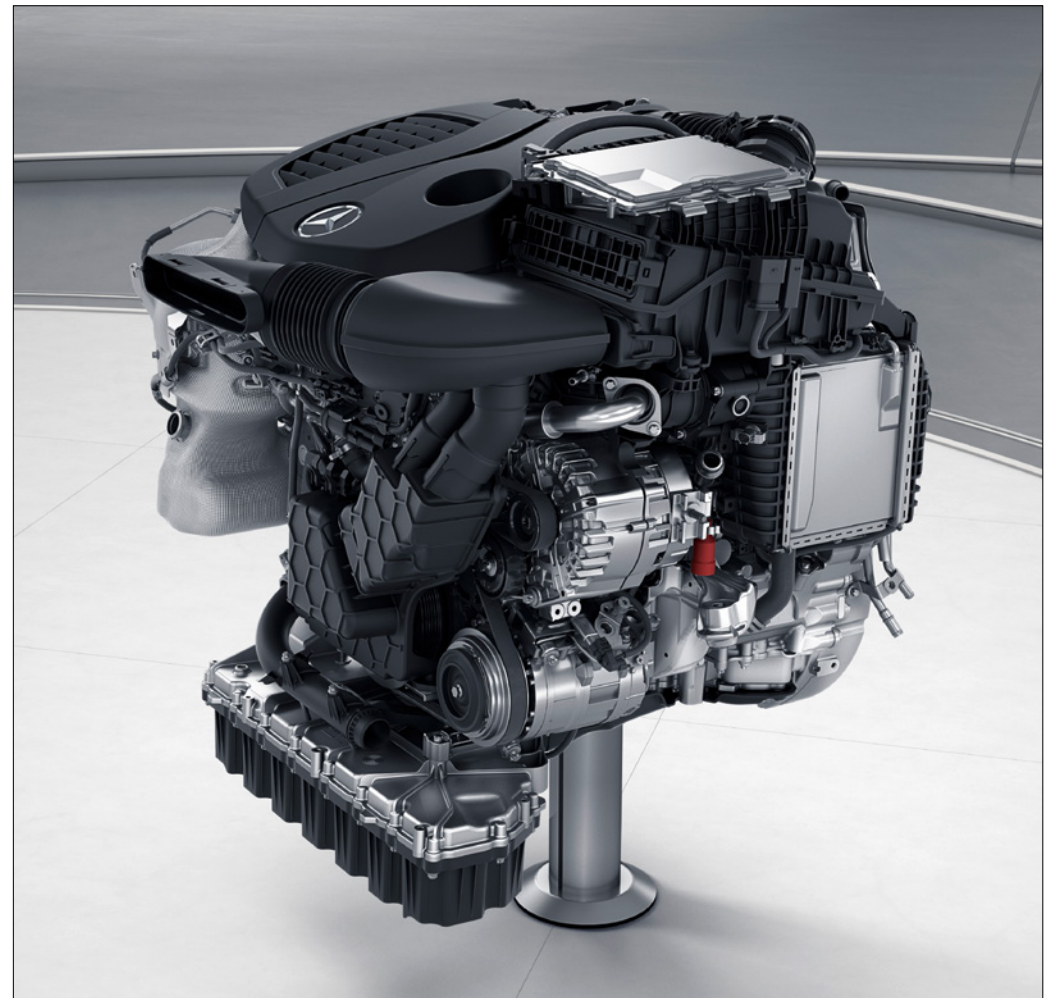
- V 220d Elite
- V 220d Exclusive
- V 220d Expression



*Accessories, colours and fitments shown may not be part of standard specification.

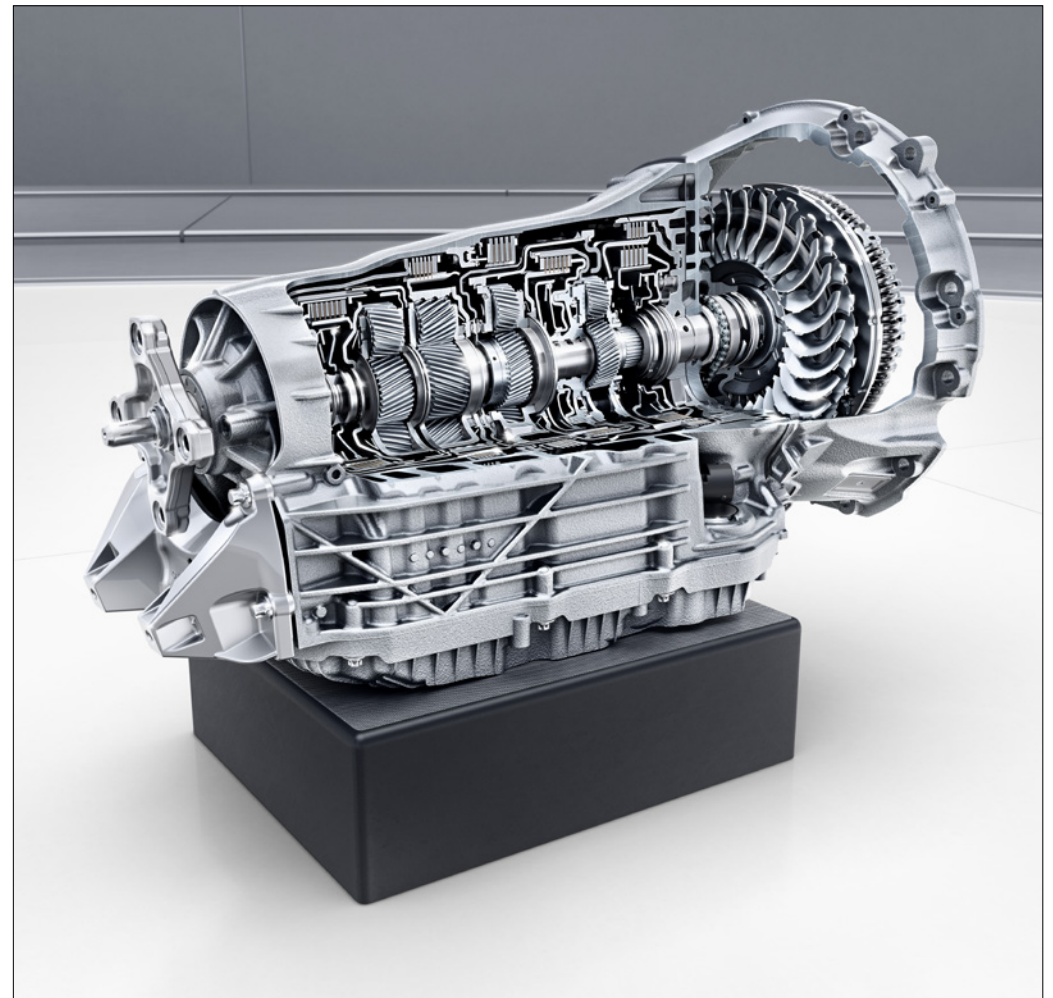
Engine - V 220d

These 4-cylinder diesel engines of the latest generation give a lot but take little. This is thanks to their particularly light, compact design and minimal frictional losses. Significantly less noise and vibrations bring the level of refinement virtually to that of petrol engines. Optimised airflow to the intake and exhaust sides: less noise generation.



9G-TRONIC

The 9G-TRONIC automatic transmission has nine gears which keep the engine speed as low as possible in every driving situation. The large spread of the transmission brings added agility and pulling power in almost all driving situations and improves the pulling away capability. The vibration dampers of the converter allow driving at low engine speeds and thereby help to save fuel. The strongly pronounced overdrive characteristics of the transmission contribute to keeping the engine speeds and therefore the fuel consumption low in real-life operations and at high speeds.



Exteriors

LED Intelligent Light System

Lighting adapted to the driving situation.

The LED Intelligent Light System improves the vision of the driver and therefore the driving safety, as it can adjust the illumination of the road surface to various driving conditions. For this it has adaptive headlamps, which can swivel vertically and horizontally and are variable in their luminosity.

LED Tail Lamps.

The exit lights make getting in and out in the dark safer, more convenient and more comfortable for driver and front passenger. They are built into the driver's and front passenger doors below the door panelling and switch on when the door is opened.



Exteriors

Roof rails, anodised

Made of high-quality aluminium.

The roof rails, made of high-quality anodised aluminium, make the vehicle's exterior design even more attractive. In addition they also expand the vehicle's transport capacity. The roof railing has a maximum load capacity of up to 150 kg and a height of 48 mm. Corresponding basic carrier bars and the matching accessories can be ordered via Mercedes-Benz Accessories.



*Please read the disclaimer.

Exteriors

Exterior mirrors

Folding in and out at the touch of a button or automatically.

The electric folding function protects the exterior mirrors against damage when the vehicle is parked, for example in tight parking spaces or car washes. In addition, an automatic function can be programmed via the instrument cluster, so that the exterior mirrors are folded in automatically when the vehicle is locked. The mirrors open up again automatically when the vehicle is unlocked and the driver's door is opened.

Heated exterior mirror

Heating for free vision in cold damp weather. The heated, electrically adjustable exterior mirrors provide a good rear view even in bad weather conditions. The exterior mirror heating furthermore helps to prevent the exterior mirrors from misting up or freezing over in cold or damp weather.

Automatically dimming exterior and rear-view mirrors.

The automatically dimming mirrors protect the driver from glare from following vehicles and thus improve visibility towards the rear in the dark.



Exteriors

Panoramic sliding sunroof (Available with Elite and Exclusive)

Lets lots of light and air into the vehicle interior.

The high-grade panoramic sliding roof lets plenty of light penetrate the vehicle interior through its large glass surface to lend the vehicle a bright, friendly, feel-good atmosphere. The sliding roof can be electrically opened at the front and thus offers an additional option to let air into the vehicle. A two-part, electrical roller sunblind operates as convenient protection from the sun.



*Please read the disclaimer.

Interiors

Luxury seats for rear (Available with Elite)

Relax, recover, feel good.

the luxury seat indulges rear seat passengers with exceptional levels of comfort. Thanks to individually adjustable massage, seat climate control, virtually nothing is left to be desired in terms of comfort. The comprehensive adjustment options are controlled conveniently from the seat via a control panel on the inside of the armrest. The luxury seat is available in two colors - silk beige and black.



*Please read the disclaimer.

Interiors

Climatised seats (Available with Elite)

The climatized seats enhance climate comfort for the rear passengers thanks to active ventilation of the seat as well as the separately controllable seat heating. It is among the most comfortable MPV in its segment. The seat ventilation and seat heating each work in three stages.



*Please read the disclaimer.

Interiors

Third row single seats (Available with Elite and Exclusive)

Comfortable while on the move, flexible in the use of space.

You can hardly get any more comfortable in the rear, as the individual seat, which can be adjusted in many ways, fulfils practically every comfort requirement. The inclination of the seat backrest and armrests can be adjusted, as can the height of the luxury head restraints. The individual seat is equipped with a three-point seat belt and ISOFIX child seat fastener. For suitable legroom it can be moved lengthways thanks to the guide rail system. If nobody happens to be travelling in the individual seat, this can still be meaningfully used: with a seat backrest folded completely forwards, a practical storage option for the rear passengers is created. If more load compartment is needed, the individual seat in the rear passenger compartment can be compactly collapsed or, if it is not needed for a longer period, also completely removed.



*Please read the disclaimer.

Interiors

Interior Design package (Available with Elite and Exclusive)

For the highest of standards.

The Interior Design package impresses with exclusive scopes of equipment. Among other things it comprises comfort seats, a multifunction steering wheel and shift lever in extremely high-quality nappa leather. A further highlight is the upper part of the dashboard in a leather look with topstitching. It not only looks very high quality, but also impresses with its pleasant tactile qualities.



*Please read the disclaimer.

Interiors

Mercedes-Benz User Experience MBUX (Available with Elite)

With MBUX (Mercedes-Benz User Experience) you get a standard multimedia system that leaves practically nothing to be desired. The modular system is intuitive to use and can be customized and expanded for up to 8 people: from intelligent voice control and smartphone integration to Mercedes-Benz navigation.



Interiors

Display diagonal 26 cm -10.25 inches (Available with Elite)

The large, high-resolution LCD touchscreen display with a display diagonal of 26 cm (10.25 inches) makes handling easier. It also improves the overview through the enlarged display of the displayed content, for example when navigating.



*Please read the disclaimer.

Interiors

Interior Design package (Available with Expression)

Fine leather appointments and attractive trim elements.

The Interior Design Package upgrades the interior with refined leather appointments and attractive trim elements, amongst other things, and gives it an individual, sporty character. The package includes comfort seats in Lugano leather in either black or silk beige as well as the steering wheel and shift lever in nappa leather. The sports pedals in brushed aluminium amplify the sporty character of the Interior Design Package.

- Comfort seats in Lugano leather in black or silk beige
- Leather steering wheel and leather shift lever or leather steering wheel
- Sports pedals in brushed aluminium



*Please read the disclaimer.

Interiors

Centre console with integrated refrigerated compartment (Available with Elite)

Convenient stowage, smart connections.

The centre console with integral refrigerated compartment underscores the luxurious passenger car feel with 2 temperature-controlled double cup holders, a multimedia box, an armrest and various stowage facilities. It underscores the luxurious passenger car ambience. The 2 temperature-controlled cup holders benefit driver and front passenger. And in the front the padded armrest further cossets driver and passenger. Beneath it there is a multimedia box with two USB ports and as SD card slot, a large stowage compartment and a 3.2-litre refrigerated compartment that can accommodate two half-litre bottles. In the rear there is a 230-V power outlet and a 12-V one, as well as a stowage compartment with ambient lighting. It is available in 2 colours – black and beige.



Interiors

Center console with retractable cover (Available with Exclusive and Expression)

The center console with retractable cover provides an additional stowage facility for small items, such as documents, vehicle papers or a mobile phone. These can be stowed within comfortable reach of the driver and front passenger.

The stowage facility can be closed with a black retractable cover, thereby protecting its contents from being viewed from outside the vehicle.



Interiors

Multifunction Steering wheel

Adapted to the individual seating position.

The inclination- and height-adjustable steering wheel allows its position to be adjusted to suit to the requirements of the individual driver and to improve the ergonomics and seating comfort. In order to adjust the steering wheel, a lever is unlocked below the steering column. This allows the steering wheel to be quickly and easily brought into the desired position when there is a change of drivers.

The leather steering wheel brings exclusivity to the interior and adds visual value to the cockpit. The pleasant leather lining provides good grip and the ergonomically shaped steering wheel rim tangibly increases the levels of comfort.

The 3-spoke multifunction steering wheel with trip computer impresses with its pleasant feel and excellent ergonomics.

The cruise control system with Limiter enables keeping a pre-selected speed and thereby makes driving more relaxed and more economical – especially on long distances.



Interiors

Comfort driver and front-passenger seat (Available with Expression)

The seat can be manually adjusted in eight ways: fore/aft adjustment for the correct distance of the driver's legs to the pedals and seat height and also seat backrest and seat cushion angle adjustment for a comfortable seating position. The head restraint can be set by height and inclination according to the body size and comfort requirements of the driver. A further plus in comfort is offered by the armrest on the side facing the front passenger.



Comfort overhead control panel

Illumination and glasses always within easy reach.

The high-quality luxury overhead control panel has numerous lighting functions, some of which use innovative LED technology with fibre-optic cable. The interior lights and cockpit light pleasantly illuminate the interior and make orientation easier in the dark. The reading lamps for the driver and front passenger create a spotlight which makes it possible to read. The driver and front passenger are not dazzled, as the light is focussed and directed downwards. The lighting functions are operated by means of buttons and switches located in the overhead control panel. In addition, a practical spectacles compartment is located in the overhead control panel, meaning that glasses are always to hand and can also be stored safely.



Interiors

Driver and co-driver's seat electrically adjustable (Available with Elite and Exclusive)

The electrically adjustable driver's seat boasts comfortable adjustment options and a practical memory function.



Instrument cluster with color display

The instrument cluster with color display shows information that is easily readable to the driver and allows the simple, as diversion-free as possible operation of the important vehicle functions.



Interiors

ECO start/stop function

Switches off the engine when the vehicle is stopped.

The ECO start/stop function plus temporarily switches off the engine while the vehicle is at standstill to cut consumption and emissions, most of all in urban as well as stop and go traffic to boost the range of the vehicle. When the engine has automatically been switched off, lighting, air conditioning and radio remain on while the vehicle is at standstill. Once the engine is needed again, it quickly and silently starts to enable swift moving off.



Heated exterior mirror, electrically adjustable, with integrated indicator lamp

The heated, electrically adjustable exterior mirrors provide a good rear view even in bad weather conditions. The exterior mirror heating furthermore helps to prevent the exterior mirrors from misting up or freezing over in cold or damp weather.



Interiors

Ambient lighting

Stylish illumination which can be selected in 3 colour shades.

The ambient lighting in the cockpit and rear welcomes the driver and passengers with a pleasant, indirect light. Depending on the desired lighting mood the 3 colour shades of "neutral", "solar" and "polar" create a stylish feel-good atmosphere in the interior. Additionally, there are 5 levels for adjusting the brightness. The discreet lighting makes it easier to adjust one's vision in the dark from the interior to the street, as the degree of contrast is reduced.

Ambient lighting, tailgate

The surround lighting in the tailgate makes loading and unloading in the dark more pleasant.

Front footwell lighting

The LED footwell lighting illuminates the driver's and front passenger's footwell and helps create a pleasant lighting climate in the vehicle interior.

Ambient lighting in exterior mirrors

The ambient lighting in the exterior mirrors illuminates the vehicle surroundings in the area of the doors, improving safety and convenience when boarding and exiting the vehicle in the dark. The lighting uses LED technology.



Interiors

THERMOTRONIC automatic climate control system

High level climate comfort for driver and front passenger.

THERMOTRONIC automatic climate control increases climate comfort for the driver and passengers and makes an important contribution to driver-fitness safety, particularly when outside temperatures are high. It automatically controls temperature, airflow and air distribution in 2 climate zones, so that the driver and passengers can feel equally comfortable in their different, preferred climates.



Automatic regulation of temperature, air volume and distribution in the rear.

The TEMPMATIC semi-automatic climate control in the rear pampers the passengers with pleasant climate comfort. Temperature, air volume and distribution are all automatically controlled in the heating and cooling mode. The air vents are located on the left and right in the roof lining. The footwell is supplied with hot air.



Interiors

12 V power outlets for seat rows in rear

Charge sockets for electrical devices in the passenger compartment.

Electrical consumers with a maximum power consumption of 180 W can be charged at the 12 V sockets. Thanks to the additional battery the sockets are even supplied with electricity if the ignition is not switched on. The sockets are installed on the left in the first row of seats and on the left and right of the second row of seats.

12 V socket in luggage/load compartment.

The 12 V socket in the load compartment charges electrical devices with a power consumption of up to 180 W.



2 cup holders for insertion in rear armrests

Practical stowage options for drinks.

With the two double cup holders, passengers have a practical stowage option for drinks. The cup holders are on the armrests on the left and right.

Carpeted floor covering

Driver's compartment.

The black velour carpeting visually enhances the cockpit. Its surface is pleasant to the touch. In addition, it improves thermal insulation and acoustic comfort.

Passenger compartment.

The dark carpet in the passenger compartment visually enhances the interior, contributes to heat and noise insulation and has a surface that is pleasant to the touch.



Interiors

Electric Sliding Door

The electric sliding door offers additional access to the vehicle. This makes loading and unloading and getting in and out of the vehicle faster and more flexible. Opening and sliding of the door happens with a touch of a button.

The active sliding door retainer holds the open sliding door in its final position automatically. This way the sliding door stays open in particular when stopping and parking on downhill gradients, permitting safe boarding and exiting.



EASY-PACK tailgate (Available with Elite and Exclusive)

Opening and closing the tailgate at the touch of a button.

The EASY-PACK tailgate can be opened and closed electrically at the touch of a button and makes it easy to load and unload the load compartment. Operation is extremely practical via the button on the vehicle key or the release handle on the tailgate. To reduce the risk of damage, the EASY-PACK tailgate features automatic obstacle detection. When opening the tailgate it can be halted in any position. The closing procedure is initiated via the button on the vehicle key or release handle on the tailgate. This is automatically interrupted if objects are preventing closure.



Interiors

Separately opening rear window in tailgate (Available with Elite and Exclusive)

Rear window That can be opened independently of the tailgate.

The separately opening rear window makes it possible to manually open and close the rear window independently of the tailgate. This provides significantly easier access to the load compartment – particularly in tight parking situations. In addition to increasing comfort and convenience, the separately opening rear window also improves the appearance of the rear end thanks for example to an additional chrome trim strip on the lower edge of the rear window.



Interiors

Roof lining

Roof liner in a colour harmonising with the interior appointments. The roof liner in porcelain creates a friendly, luminous and exclusive ambience in the whole interior. In addition, it improves thermal insulation and acoustic comfort.



Rain sensor

The rain sensor automatically regulates the wiping frequency of the windscreen wipers with activated intermittent wiping, which makes things easier for the driver.



*Please read the disclaimer.

Interiors

Burmester® surround sound system (Available with Elite and Exclusive)

With 15 high-performance loudspeakers for maximum music enjoyment. The Burmester® surround sound system brings exciting surround sound into the vehicle with an extraordinarily tuned amplifier and speaker system. 15 speakers (6 more than with the standard Audio 20 USB system) and a bass reflex speaker together deliver 640 W. An awesome sound is delivered to every seat thanks to the multichannel surround sound technology. Visually the Burmester® logo on the speakers makes reference to the high-quality surround sound system.



*Please read the disclaimer.

Interiors

Chrome-effect electronic key

The chrome-look electronic vehicle key allows the vehicle to be unlocked and locked conveniently at the touch of a button. Depending on the vehicle equipment, the electrically operated sliding doors or the EASY-PACK tailgate can also be operated using the electronic vehicle key.



Grab handles in rear

Mounted above the right-hand and left-hand sidewalls.

The grab handles in the rear, installed in the roof area of the left and right sidewalls, can help passengers boarding and exiting the vehicle, for example.



Interiors

Illuminated Mercedes-Benz lettering on door sill

High-quality lighting of the entrances.

The illuminated "Mercedes-Benz" lettering with the stainless steel panel gives an air of exclusivity from the moment of getting in. When opening the driver's and front passenger door the "Mercedes-Benz" lettering at the front is illuminated, when opening the sliding door it is the lettering at the rear. After engine start the front illumination switches off. In the rear, the brightness is initially dimmed. After the doors are locked the lights in the door sill of the sliding door also switch off. In conjunction with the standard sliding door, right there are 3 sets of illuminated "Mercedes-Benz" lettering installed: in the door sill trims of the driver's and front passenger door as well as in the sliding door. In conjunction with the optional sliding door on the left a fourth set of illuminated lettering is added.



Illuminated vanity mirrors for sun visors

With illumination, card holder and pivoting function.

Thanks to the illumination they feature, the vanity mirrors in the sun visors can also be used when it is dark. In addition to the illumination, each mirror also has a card holder in which parking tickets, for example, can be placed. As the sun visors can be pivoted, they can also prevent glare from the incidence of light from the side.



Interiors

Storage net on front seat backrest



Seat rail system with quick-release attachment system



Parcel Shelf (Available with Exclusive)



Folding Table (Available with Exclusive)



Safety

Active Parking Assist with 360° camera (Available with Elite and Exclusive)

All-round view and parking assistance.

Active Parking Assist with 360° camera (optional) comprehensively relieves the driver when searching for a parking space and when entering or leaving a parking space as well as when manoeuvring. Active Parking Assist searches for suitable parking spaces and steers the vehicle automatically into parallel and end-on parking spaces. The 360° camera makes the area immediately behind the vehicle visible – including from a bird's-eye perspective and below the window line. It thereby helps to detect any obstacles when parking or manoeuvring.



Reversing camera (Available with Expression)

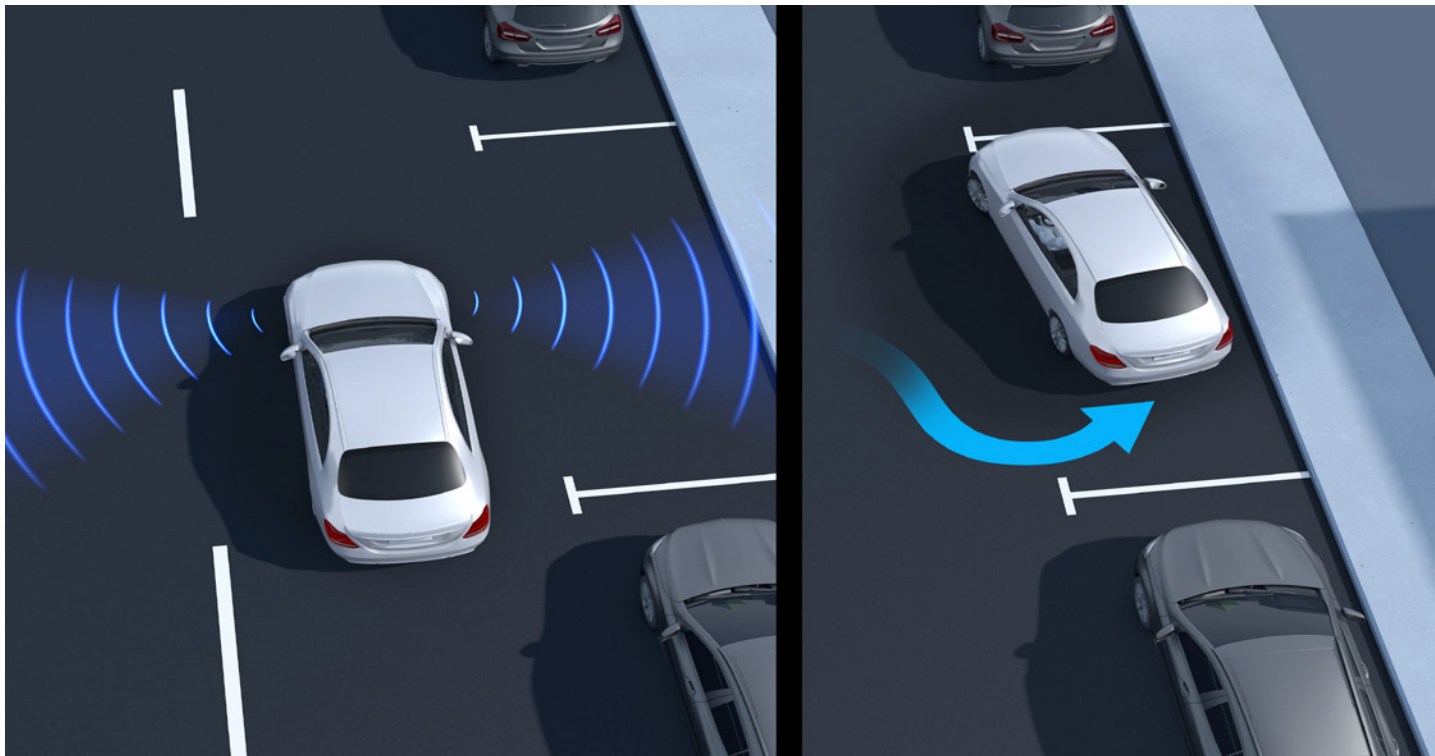
The reversing camera assists the driver when parking and manoeuvring: it displays the area immediately behind the vehicle, which cannot be seen directly by the driver. A short-range camera in the tailgate handle captures the area around the rear of the vehicle and relays the information to the display of the multimedia system. The photorealistic rendering is complemented by dynamic auxiliary lines.



Safety

Active Parking Assist (Available with Elite and Exclusive)

Active Parking Assist helps you when searching for a parking space and when entering or leaving a parking space. It looks for parking spaces parallel and at right angles to the street and steers the vehicle automatically into such spaces. The integrated PARKTRONIC system visually and audibly warns of obstacles in front of the vehicle and behind, and thus can help prevent damage when maneuvering.



Safety

Adaptive brake lights (flashing emergency signal)

In the event of hard braking, the Adaptive Brake Light can warn following traffic and thus help prevent rear-end collisions. They are activated if, while braking, and dependent on braking pressure and speed, the ESP® identifies a critical braking situation. The brake lights start to flash conspicuously, which has a powerful signalling effect for following traffic. If the vehicle is slowed down to a complete standstill, the hazard warning lamps are automatically switched on.



*Please read the disclaimer.

Safety

PRE-SAFE®

The anticipatory occupant protection system PRE-SAFE® is already able to detect critical driving situations at an early stage and initiate protective measures in a precautionary manner.

First Aid Kit

The first-aid kit is stowed in the front passenger door for easy access, and contains a set of first aid items for the prompt initial treatment of injuries.

Airbags

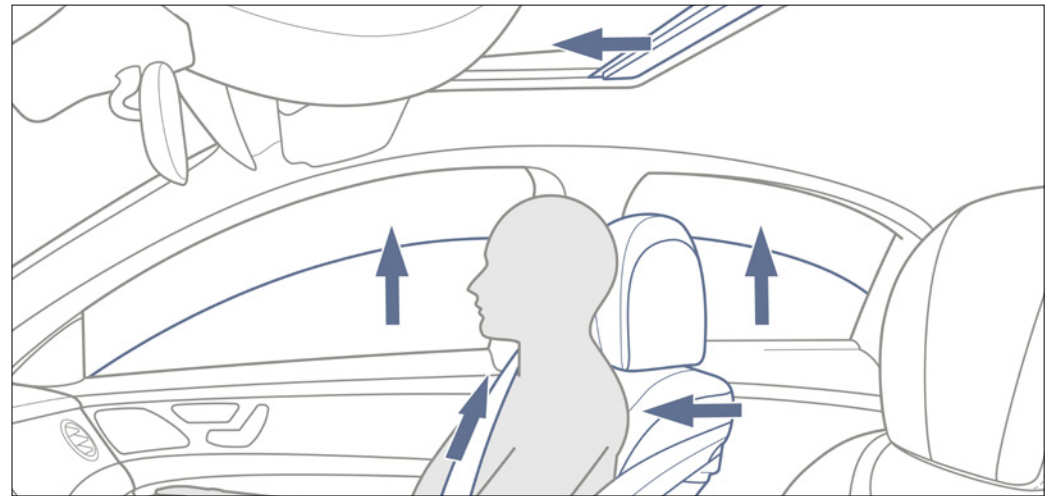
The airbag for the front passenger can significantly reduce the risk of potential head and chest injuries in the event of a severe head-on collision.

The thorax/pelvis sidebag can help to protect the driver's thorax and pelvic area in the event of a side impact and reduce the risk of injury. The sidebag is installed in the backrest of the driver's seat.

The thorax/pelvis sidebag can help to protect and reduce the risk of injury to the front passenger's thorax and pelvic area in the event of a side impact. The sidebag is installed in the backrest of the front passenger's seat.

Windowbags for driver, front passenger and rear compartment passengers (Available with Elite and Exclusive).

In a severe collision with a powerful side impact, the windowbags can help reduce the risk of head and face injuries.



*Please read the disclaimer.

Safety

ATTENTION ASSIST warns the driver of drowsiness

The ATTENTION ASSIST system can help to avoid momentary nodding off and therefore, in particular on long or night journeys, contributes towards increased driving safety. The system gives the driver visual and acoustic warnings if it detects typical signs of over-tiredness or inattention, and urges the driver to take a break. To analyse the driving style, steering movements are assessed and used to create an individual driver profile.

Hill start

The Hill Start Assist can ease moving off on gradients by briefly preventing the rolling backwards of the vehicle. It is linked with the ESP® Electronic Stability Programme and holds the brake pressure level on inclines of more than 4% for several seconds after releasing the service brake.

Warning Triangle

The warning triangle secures the scene of an accident or breakdown by being highly visible and warning other road users.

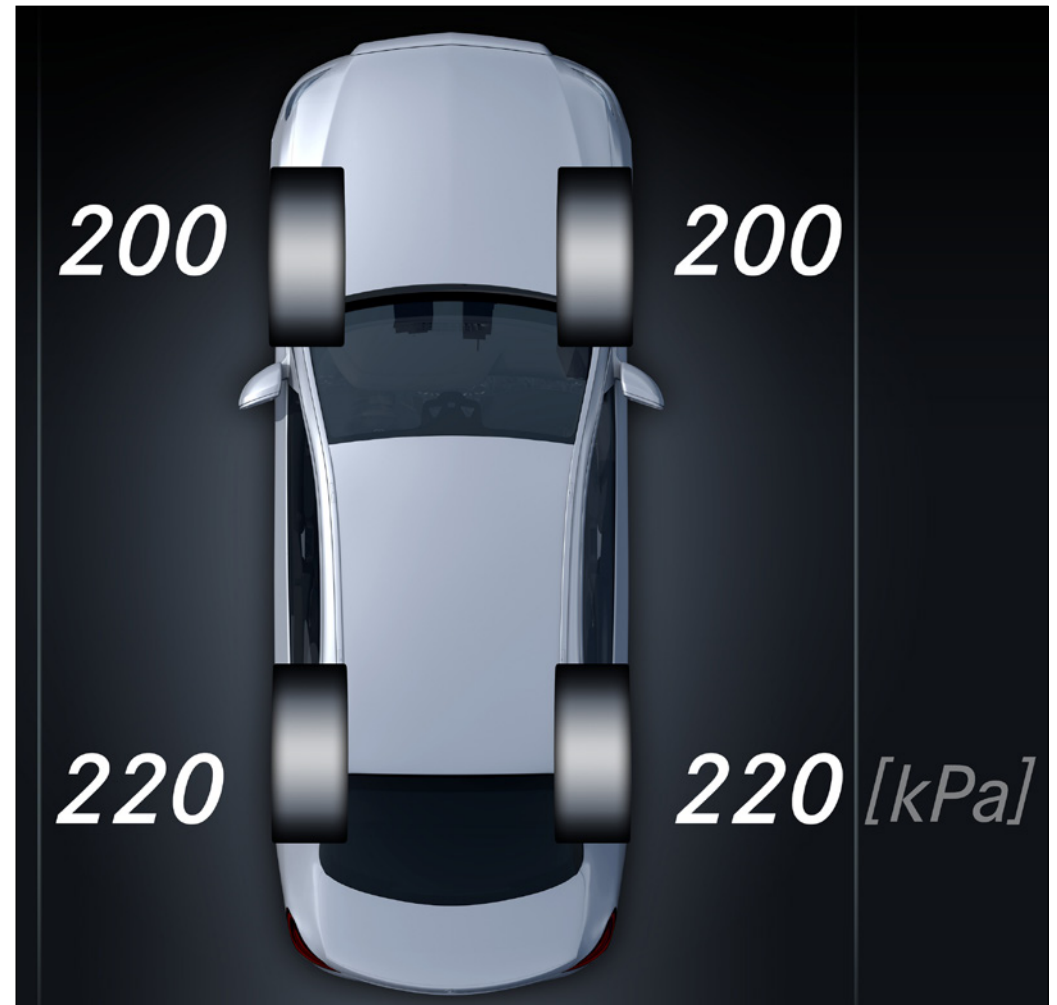


*Please read the disclaimer.

Safety

Tyre pressure monitoring system

The system monitors the tyre pressure for you and provides you with a warning in the event of a drop in pressure. This way you can react more quickly to these hazardous situations. Too low a tyre pressure can also result in longer stopping distances. When the control systems notifies you, you should top up the air quickly. Correct tyre pressure additionally increases mileage.



Paintwork

Brilliant Silver

Cavansite Blue

Obsidian Black

Rock Crystal White

New Colours

Steel Blue

Selenite Grey

Graphite Grey

Arctic White (Available with Expression)



*Please read the disclaimer.

Upholstery & Trim

UPHOLSTERY

Nappa Leather Beige (Available with Elite and Exclusive)

Nappa Leather Black (Available with Elite and Exclusive)

Nappa Leather Tartufo (Available with Exclusive)



Black Santos fabric (Standard with Expression)

Lugano Leather Beige (Optional with Expression)

Lugano Leather Black (Optional with Expression)



TRIM

Double stripe-look trim elements (Available with Elite and Exclusive)

High-gloss black piano-lacquer-look trim (Available with Expression)



*Please read the disclaimer.

Alloy

ALLOY

43.2-cm (17-inch) 5-twin-spoke light-alloy wheels
(Standard with Elite and Exclusive)

40.6 cm (16-inch) 10-spoke light-alloy wheels (Standard
with Expression)



ALLOY

45.7 cm (18-inch) 5-twin-spoke light-alloy wheels
(Optional with Elite)

45.7 cm (18-inch) 5-spoke light-alloy wheels (Optional
with Elite)



ALLOY

43.2-cm (17-inch) 5-spoke light-alloy wheels (Optional
with Exclusive)

43.2 cm (17-inch) 20-spoke light-alloy wheels (Optional
with Expression)

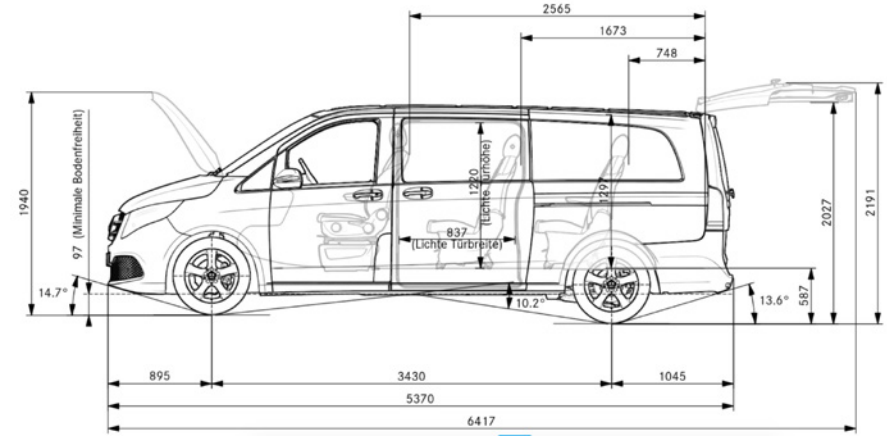
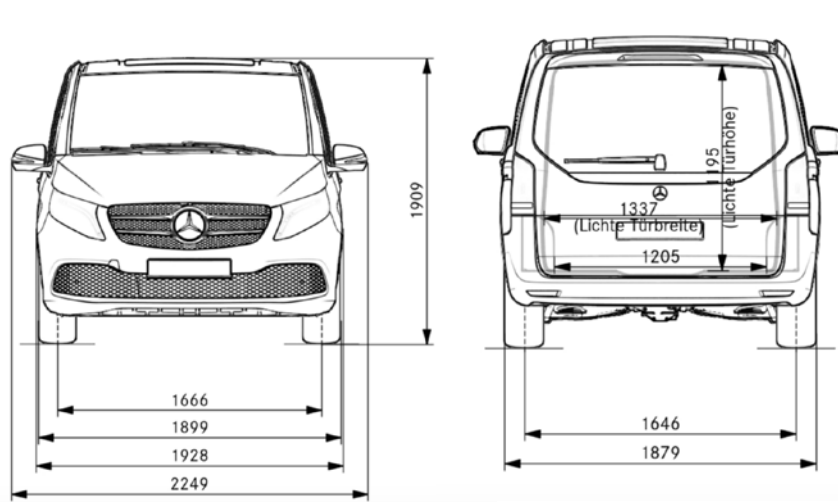


Technical data

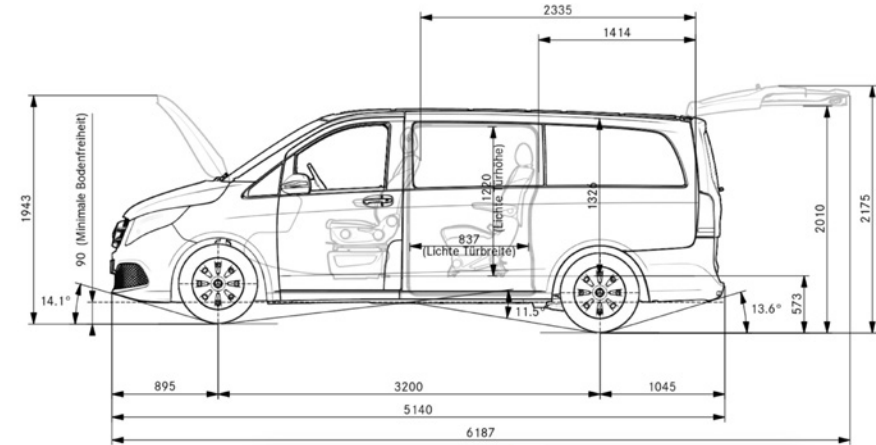
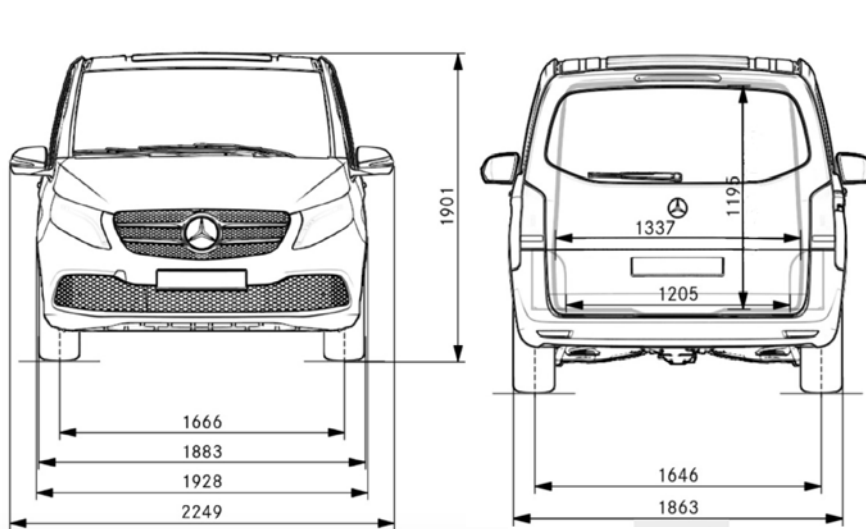
| | Diesel engine V 220d Expression | Diesel engine V 220d Exclusive and Elite |
|--|--|---|
| Total displacement/No./arrangement of cylinder | 1950 cc/L4 | 1950 cc/L4 |
| Rated output in kW (hp) @ rpm | 120 [163]/4200 kW [hp] at rpm | 120 [163]/4200 kW [hp] at rpm |
| Rated torque (Nm @ rpm) | 380/1200 - 4000 Nm at rpm | 380/1200 - 4000 Nm at rpm |
| Transmission | Automatic | Automatic |
| Acceleration from 0 - 100 km/h (s) | 11.2 secs | 11.1 secs |
| Top speed approx (km/h) | 195 km/h | 195 km/h |
| L x W x H (mm) | 5370 x 1928 x 1909 | 5140 x 1928 x 1901 |

Dimensions

EXPRESSION



EXCLUSIVE
AND ELITE



*Please read the disclaimer.

My Mercedes. My Service.

You enjoy life. We'll take care of your Mercedes.

The best or nothing! This statement conveys how Mercedes-Benz aspires to develop and build highly desirable, top-class vehicles. The same passion, pledge and commitment apply to the Mercedes-Benz Service too. The bouquet of world-class After-Sales products will not only attend to every need of your Star but will also redefine the concept of ownership experience with a focus on providing end-to-end customer delight. After all, you Star deserves nothing less than the best.

STAR EASE

Delivering the best-in-class value

Servicing your Star does not get any better than this. With the STAR Ease Maintenance Packages, pay a defined cost of maintenance based on the model, contract period and mileage and say goodbye to spending on service every time. Plus, enjoy exclusive features like priority handling, shorter waiting time and quicker processes.

Advance Assurance Program

Extending your warranty coverage

With Advance Assurance Program, experience complete peace of mind. While this Extended Warranty Program kicks in the moment your standard 3 years warranty comes to an end, it can be extended further up to 6 years at a nominal price. Also, it comes with a bouquet of privileges for a worry-free time with your Star.

MOBILO

Providing you 24x7 mobility support

Your vehicle comes with Mobilo which provides round-the-clock on-road assistance service. Mobilo comes as a standard for 3 years and can be extended further up to 8 years at a nominal cost. This service offers privileges like vehicle towing facility, replacement vehicle, hotel accommodation, just to name a few.



My Mercedes. My Service.

Digital Service Drive

Ensuring convenience and transparency of service.

Servicing your Star is the last thing you will ever have to worry about. We provide transparent, convenient and hassle-free service. Our customer-friendly service features work around your busy schedule so that you have one less thing to focus upon.

Now booking your appointment is quick and easy.

To book your online service appointment, visit <http://mb4.me/SelectDealer>

Premier Express*

Because we value your time as much as you do.

Life gets busy and so we have designed Premier Express, our vehicle care service to help you get in and out quickly. While the visit will be brief, the service offered by our technicians will be comprehensive and complete. All to ensure your Mercedes-Benz is running for miles to come.

*Available at select locations only



My Mercedes. My Service.

Mercedes-Benz Genuine Parts Now with 2 years* of warranty

Mercedes-Benz Genuine Parts are crafted to the state-of-the-art standards of Mercedes-Benz, protecting your vehicle's performance while maintaining the style, comfort and safety, for the years to come. Also, they come with a warranty of up to 2 years, ensuring you a peaceful ownership experience with your Star.

* Terms & Conditions Apply



Mercedes-Benz Approved Tyres and Rims Ensuring every ride is a safe and joyful one

Maximise the safety and comfort of your Star with Mercedes-Benz approved tyres and rims. While the Mercedes-Benz approved tyres are designed to optimally match your car's performance, the Mercedes-Benz approved rims are designed to lend an exceptional style to the exterior of your Star and are also engineered for optimal performance.



Mercedes-Benz Genuine Chemical Products Because your Star deserves nothing but the original

Mercedes-Benz Genuine Chemical Products are specially tested for compatibility with the materials in our cars and meet the high quality standards. Also, our products have been approved under Daimler AG's strict, self-imposed environmental norms. Now with Mercedes-Benz Genuine Chemical Products, experience a whole new world of superior products that support throughout the car's life cycle.





Test Drive



Contact Us



Dealer Locator

Mercedes-Benz India Private Limited: E-3, MIDC Chakan - Phase III, Chakan Industrial Area, Kuruli & Nighoje, Tal: Khed, Pune - 410 501 (India)
Toll free No.: 0008000501888. e-mail: cs.ind@cac.mercedes-benz.com, **website:** www.mercedes-benz.co.in

Please note: This brochure is intended for general information, description and illustration of the Product including optional functions and equipment and may not be specific to a Product since specification of a product may change from time to time. Optional features, functions and equipment etc. may not be present in the Standard or Variant Product or Special Edition Product. Further, Standard specifications of a product may also vary from time to time. Colours may differ from those shown in pictures in the brochure, owing to printing. Mercedes-Benz India reserves the right to make changes, at any point of time, without prior notice, in design, colours, materials, components, equipment, specifications, features, functions, make and models etc. The information given in this brochure shall be regarded as accurate at the time of going to print and may vary thereafter due to any developments or any other reason. Interested parties should confirm with the Authorised Dealer about the correct specification of the product they desire to purchase. For the latest authentic information and updates, kindly contact your nearest Authorised Dealer.

All title, ownership rights and intellectual property rights in and relating to this brochure / magazine or publication material or any copies thereof including but not limited to copyright, logos, names, trademarks, service marks, design, text, images, links, concepts and themes are owned by Daimler AG and/or its subsidiaries collectively or used under authorised license by the Daimler AG. Any reproduction, transmission, publication, performance, broadcast, alteration, license, creation of derivative works or other use in whole or in part in any manner without the prior written consent of the Daimler AG is strictly prohibited.

Mercedes-Benz cars: The V-Class - Elite meets Bharat Stage VI equivalent emission norms.

CIN - U34102PN1994PTC083160