



# VOLVO V90

CROSS COUNTRY









## WE ARE REDEFINING PERSONAL MOBILITY

**Our aim is** to provide freedom to move in a personal, sustainable and safe way. We do this by putting your needs first – using the best available technology to serve you, inventing new technology where none already exists and combining technologies to deliver new experiences.

At Volvo Cars, we have always put people first. We believe that technology should set us free – not restrain us. The car shall be an enabler of a richer, less complicated life. And as a progressive provider of personal mobility, we want to enable a future of fully connected, fully electrified and self-driving cars.

We are committed to pursuing our visions:

- No one should be seriously injured or killed in a new Volvo car by 2020
- We want to give back one week of quality time per year through a new Volvo car by 2025
- Around 50 per cent of the cars we produce and sell will be electric by 2025

These visions reflect our commitment to protecting what's important to you and the world we share. This is summarized in the Swedish word 'Omtanke' which stands for caring and consideration. It also means 'to think again', so we collaborate with some of the world's top tech companies to nurture innovations that will take us into a better, more sustainable future.

Our goal is to make your life easier and more enjoyable – and to give back that sense of joy and freedom that the car represents.



Ever since we came up with the idea of adding go-anywhere capability to the legendary versatility of our estate cars, the Volvo Cross Country has been taking drivers further. To the places they want to reach, the things they want to do, the experiences they want to be part of. And, all the while, we do this by keeping them safe, comfortable and in control.

We've been refining the concept for nearly two decades. Now we've arrived here – this is the new V90 Cross Country. The point at which all that experience meets Volvo's new generation of elegantly versatile estate cars. The result is a car that combines the best of Scandinavian design and craftsmanship with true all-road capability. This is the car that gets you where you want to go.





**Visible strength.**

Combining the elegance of our new design language with Cross Country ruggedness has created a car that's sophisticated, tough and practical.

Its large wheels and increased ground clearance (210 mm) give you confidence on any road. The front and rear skid plates blend seamlessly into the bumper for an elegant and rugged look, and the cladding helps to protect the bodywork. Bold lines, the raked rear window and the tall LED tail lights, with their slender vertical shape, are both contemporary and classically Volvo.

## DESIGNED FOR CONTROL

*Precision and accuracy at every touch.*

**From the moment** you settle into the sculpted driver's seat, you're in control. You sit comfortably in the V90 Cross Country, with the 9-inch centre display with touchscreen angled towards you to create the feeling of a cockpit.

You're surrounded by an environment where beautiful materials and advanced technology meet, creating a cabin

that looks great and works perfectly. Metal Mesh trim, unique to the V90 Cross Country, typifies our approach to materials: modern, restrained and good to touch.

The exceptional craftsmanship enhances the feeling of precision. The air vents are inspired by our concept cars. With a metal-finish vertical strip and

distinctive diamond-pattern surfaces for the control knobs, they are beautiful to look at and a pleasure to use.

In the V90 Cross Country, every component moves with the accuracy afforded by fine engineering. It is a car that gives you control over every part of your journey.

**Please note:** Some of the information in this brochure may be incorrect due to changes in product specifications that may have occurred since printing. Some of the equipment described or shown may now only be available at extra cost or may no longer be offered. Before ordering, please ask your Volvo Car dealer for the latest information. The manufacturer reserves the right to make changes at any time and without notice to prices, colours, materials, specifications and models.





**An air of luxury.**

The beautiful, comfortable cabin will delight you and your passengers on every journey. The panoramic roof makes the most of the airy feel and Scandinavian design.



**LIGHT. SPACE. LUXURY.**

**Travel first class** in every seat, every day. Because when you're in the V90 Cross Country you're in your own private lounge, a place where comfort and luxury combine with technology and craftsmanship.

It starts with the front seats. Sculpted to complement the human form, they provide superb support and a huge range of adjustment, so everyone can find the ideal seating position. Ventilation and massage functions provide even greater comfort.

The shape of the backrests increases

legroom for passengers in the rear. The rear seats are designed to cosset and support.

The panoramic glass sunroof floods the entire cabin with light. Tinted to prevent glare, the roof opens to create an even more airy feel, and can be closed remotely using the remote control.

At night the cabin glows with the warmth of its interior lighting, welcoming you into the car. The high-level illumination lighting package includes backlit door handles and illuminated tread plates, as well as additional interior

lighting that enhances the exclusive ambience.

CleanZone technology means that, in cities and heavy traffic, the air you breathe inside the car is cleaner than the air outside. It filters dust, pollen, particulates and odours while monitoring the air quality and closing the intake if pollutant levels rise too high. It happens automatically – all you need to do is set the temperature you want and the car does the rest.

In the V90 Cross Country, technology and convenience go hand in hand.



In the driver's seat you're in charge. Control functions such as navigation and entertainment from the steering wheel buttons, while the 12-inch driver display keeps you informed.

Every element of the cabin is crafted to make form and function one. The door handles can be backlit, making them easier to find in the dark.

Beautiful materials such as Black Walnut, complement the car's advanced technology, creating a uniquely contemporary look.

**READY FOR  
EVERY OCCASION.**

*A car that fits your life – all of it.*

**Getting you there** is just the start. The V90 Cross Country matches its all-road ability with built-in versatility to create a car that can do more.

The clever design and versatile interior layout make every day easier. The shape of the load compartment makes it easy to fit in awkwardly shaped objects, and the rear seats fold at the touch of a button to create a longer, completely flat load space. You can do this from inside the load compartment so you don't have to

open the rear doors to fold the seats. The through-loading hatch means you can carry long items such as a golf kit without folding the seats.

The power-operated tailgate has a hands-free function, so if your hands are full you don't have to put down what you're carrying to open it. Just move your foot under the rear bumper to automatically open and close the tailgate.

To make your V90 Cross Country even more useful, add extra equipment

from our range of load compartment accessories. From dividers that split the load compartment in two, so you can carry two pets (or a pet and luggage), to a steel grille that provides a sturdy barrier between load and passenger compartment, there's an accessory for every occasion.



## ALL-ROAD CAPABILITY OPENS UP YOUR WORLD.

The Volvo V90 Cross Country is a true all-road vehicle, with the technology to take you further. So the limits of your adventure don't have to be defined by the limits of your car.

Our sophisticated all-wheel-drive system keeps the V90 Cross Country moving when roads get rough or conditions deteriorate. It automatically sends the right amount of power to the wheels that need it the most, so when the road runs out you can keep going. With its increased ground clearance and large wheels, this car has the capability to take you wherever you want to go. Descending steep hills is made straightforward with Hill Descent Control, which carefully applies the brakes to keep the car from moving too quickly or sliding.

You can tailor the way the V90 Cross Country behaves off road by selecting Off-road mode from the Drive Mode menu. It makes the car easier to drive on difficult surfaces such as wet grass, mud and loose gravel by changing the way the engine delivers its power and recalibrating the car's drivetrain so you have more control at slower speeds. On uneven ground, the optional active chassis with rear air suspension comes into its own, taking bumps and ruts in its stride. When the road becomes a challenge and the weather becomes unpredictable, the Volvo V90 Cross Country gets you where you want to go. In comfort.



Discover superior comfort and handling created by our optional active chassis with rear air suspension. It soaks up poor road surfaces and keeps the ride height constant so the car responds how you want it to. Active chassis technology allows you to customise the way the V90 Cross Country rides and handles.





## STAY CONNECTED AND IN COMMAND.

**We create technology** to serve you and make life easier. Everything that's complicated or doesn't add to your experience is removed.

You control your Volvo intuitively and easily. Seamlessly connected with the car and the world around you, you're in command of every aspect of your journey.

At the focal point of the cabin, you find a sleek 9-inch centre display with touch screen. It's as easy and straightforward to operate as your smartphone, with

bold, clear graphics so you can keep your attention on the road. The touch screen blends seamlessly with the car's clean interior design, and is easily operated. You can even operate it wearing gloves.

Essential driving information is clearly presented in our 12-inch driver display. It adapts to your needs, preferences and surrounding light, so information is always shown on your terms.

For even better control, our head-up display projects vital driver information at

a comfortable view distance. It looks like the graphics are hovering in front of the car, which allows you to stay informed without taking your eyes off the road.

Your Volvo also listens to you. Keep both hands on the steering wheel and speak naturally: our voice control will carry out your command to operate climate control, navigation, entertainment and your smartphone.

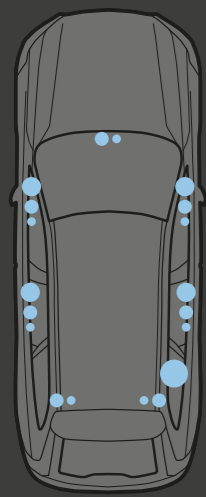
In a Volvo, you and your car act as one.

## CONNECTING YOU WITH A WORLD OF ENTERTAINMENT.

**Get closer to** the music you love, no matter which seat you're in. With Sensus Connect, all of your music is available all of the time, whether it's directing from your favoured media source or streaming from the internet.

It all begins with the 9-inch centre

display, the control centre for Sensus. The surface responds to the lightest of touches – you only need to brush your fingers over the glass to operate the controls. It even works with gloved hands.



**Premium Sound by Bowers & Wilkins** gives every occupant a superb audio experience, no matter which seat they are sitting in. Developed with Bowers & Wilkins, creators of high-end audio, this innovative technology brings exceptional clarity and realism to your favourite music. The unique air-ventilated subwoofer delivers richer, deeper bass by drawing air in from outside the car so it can pulse more air through the speaker.

There are 19 speakers, allowing everyone in the car to get the best possible sound, all the time. And you get closer to the performance by using one of the system's three room modes to bring the music to life. Concert mode recreates the unique acoustic experience of the Gothenburg Concert Hall, while Stage and Studio modes put you at the heart of the music, allowing you to hear it as the musicians intended.

Bowers & Wilkins is a trademark of B&W Group, Ltd.



**9-inch centre display.** The focal point of the elegant cabin is the 9-inch centre display with touch screen, which uses a portrait format to give you a large viewable area that means less scrolling. This format is perfectly suited to display maps. It features a glossy black finish that, thanks to a special coating, minimises reflection – so it not only looks beautiful but works beautifully. This is how technology should be.



## GET TO YOUR DESTINATION EVERY TIME, WITH EASE.

Let **Sensus Navigation** be your guide, helping you find your destination and keeping you informed. Our sophisticated navigation uses intuitive technology so that wherever you go, you'll get there quickly and easily.

Everything you need to know is shown on the 12-inch driver display right in front of you. The high-resolution image self-adjusts so it's never too bright, automatically resizing the instruments to accommodate navigation information. The head-up display displays all the vital information onto the lower part of the

windscreen, projected to look like it is hovering in front of the car. It means you stay informed without ever having to take your eyes off the road.

Getting to your destination is made even easier with the clear graphics of our maps. Sensus stays one step ahead, guiding you accurately.

With Sensus taking care of the way ahead, you can enjoy the journey.



**Voice control.** Controlling Sensus is as easy as telling it what to do. Talk to your Volvo, using natural phrases such as "go to industrigatan, Göteborg" or "call Emily Johnsson," and voice control will carry out your instructions to operate climate control, navigation, infotainment and your smartphone.

**Centre display.** The portrait format centre display with touch screen makes reading maps and following navigation prompts beautifully straightforward. Maps appear as they would in an atlas and they scroll less, so you can see where you're going and what's coming next. Its clarity, size and orientation make it the ideal companion for every journey.

## PILOT ASSIST. DESIGNED TO MAKE DRIVING SAFER AND EASIER.

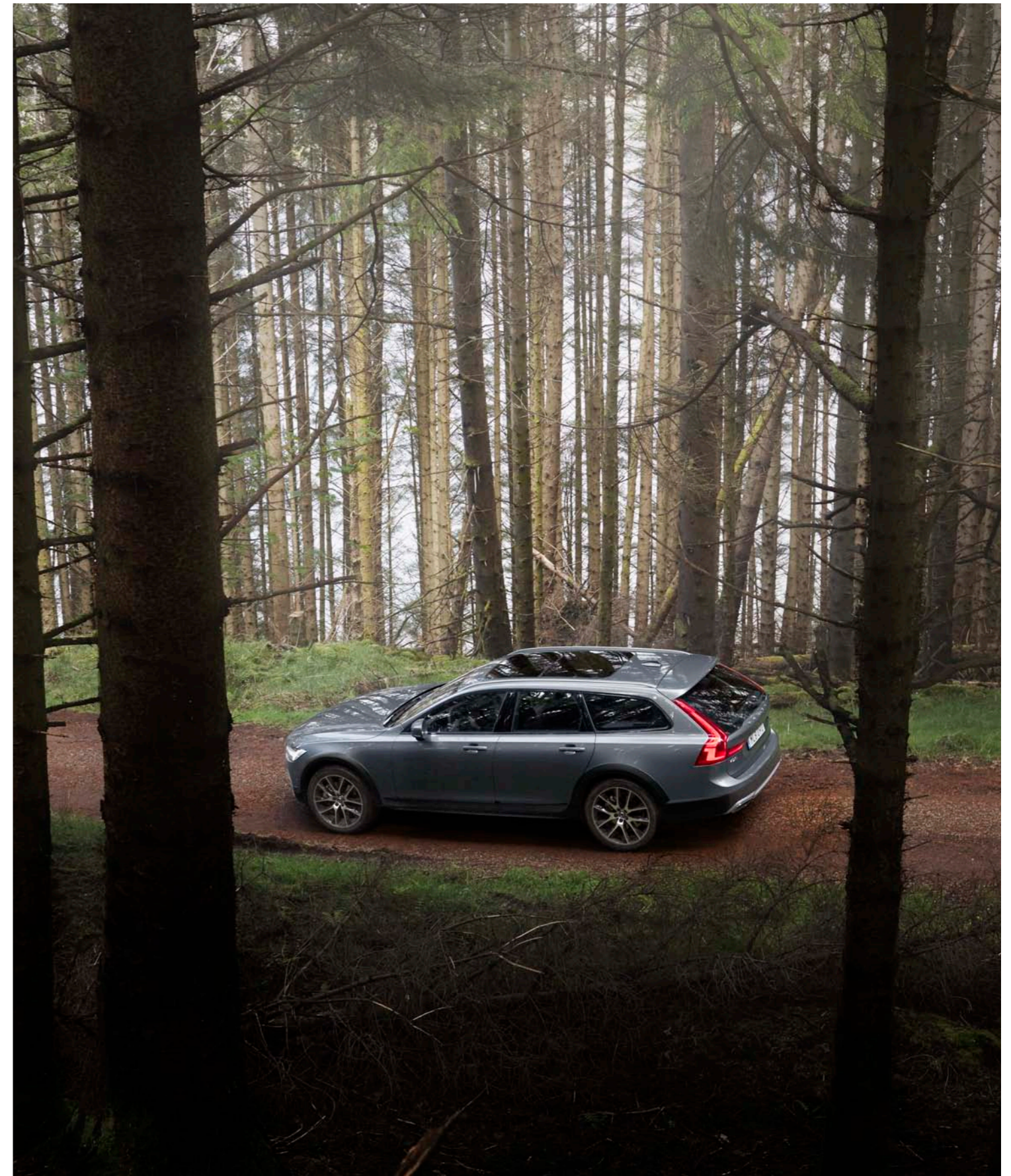
**Our latest advances** in supportive driving technologies allow you to enjoy smooth, intuitive driving from standstill up to motorway speeds.

To make driving in demanding traffic less stressful, we created Pilot Assist and Adaptive Cruise Control. This means your Volvo automatically helps you maintain a safe distance from the car in front of you by adapting your speed while helping to keep you centred in the lane by automatically making small steering adjustments. It's intelligent too: using map data from the car's navigation system, the car identifies hills and curves ahead and adapts the speed to help optimise your comfort and safety. When the system deactivates, you are notified by a discreet vibration in the steering wheel.

This technology also makes driving in stop-and-go traffic more effortless. Maintaining the set distance, your car follows the car ahead of you and can brake automatically to full stop when needed. And if the car in front just makes a short stop, your car starts following it as it takes off again.

This is driving made safer and easier safe and easy, with the aim to optimise your control, comfort and convenience.

**Please note:** The driver is always responsible for how the car is controlled, the functions described here are only supportive.



## CITY SAFETY TECHNOLOGY. YOUR PRO-ACTIVE PARTNER ON THE ROAD.

With advanced pro-active safety technology we add extra power to your senses and enhance the confident feeling of being in control.

At the heart of our safety technologies is City Safety. By helping you to keep a lookout and brake or steer away if necessary, it makes driving more enjoyable while helping to prevent accidents.

City Safety can identify other vehicles, pedestrians, cyclists and large animals ahead of you, even at night. It warns you if needed and can brake automatically to help you avoid a collision or reduce the impact. And our advanced Oncoming Mitigation by Braking technology – a Volvo safety world first – can detect if there's another vehicle driving towards you and can brake automatically to help mitigate the impact.

Your Volvo can also support if you're forced into a rapid evasive action at speeds between 50 and 100 km/h. As you begin to steer away, City Safety can help you do it as effectively and safely as possible by braking the inner wheels individually and reinforcing your steering input.

City Safety is simply your perfect partner; pro-active when it's needed, and staying discreetly in the background the rest of the time.



### Oncoming Mitigation by Braking

A Volvo Cars safety world first, this innovation can detect vehicles heading towards you on the wrong side of the road. If a collision can't be avoided, it can brake your car automatically and tighten the optional prepared front safety belts in order to help reduce the effect of a collision.



### Oncoming Lane Mitigation

Using automatic steering assistance, this system helps you avoid collisions with oncoming vehicles. If you drift across the lane markings in the way of an oncoming vehicle, your car can alert you and gently help steer you back into the correct path.



### Lane Keeping Aid

If you're about to cross a lane marking unintentionally, the Lane Keeping Aid can gently help steer your car back into its lane. If this is not enough or you keep steering across the lane markings, you'll be alerted with vibrations in the steering wheel.



### Run-off Road Mitigation

Stay safely on the road with this Volvo Cars safety innovation. If Run-off Road Mitigation detects you're about to leave the road unintentionally, it can provide steering input and, if necessary, brake support to help you back on track.



## PERFECT PARKING, EVERY TIME.

In a Volvo, you can enjoy smooth parking.

Our navigation system gives you access to an in-car app that helps you find the nearest free parking space and even pay for it. While parking, you're supported by front and rear park assist functions that alert you if there are obstacles in your way. And by adding our 360° camera, you get a detailed bird's eye view of the area surrounding your Volvo – a great help when you reverse or manoeuvre in confined areas with impaired visibility.

If you want, our Park Assist Pilot can help park the car for you. It measures the parking space, and if the space is at least 1.2 times the length of your car it can park by taking over the steering – you just control the brakes and gears. Park Assist Pilot handles both parallel and perpendicular parking, and can also assist when leaving a tight parallel parking space.

And to make it easier when you reverse out of a parking space, Cross Traffic Alert with Autobrake helps you keep a lookout on approaching vehicles in your blind sectors. It can even brake for you if it detects an imminent collision.



### 360° camera

The 360° camera uses images from discreetly mounted cameras to create a bird's eye view of your car and its closest surroundings. In the centre display, you can see obstacles all around you, which makes it easier to park and manoeuvre in tight spaces.





## DESIGNED TO PROTECT.

**Protecting you and** your passengers has always been at the heart of every car we make, and the advanced safety features in your Volvo are the result of decades of passionate innovation.

In a Volvo, it's the interaction between all the safety features that determines how efficiently the car will protect you and your passengers in a collision. Everything, from the design of the seats to the surrounding safety cage and the safety belts and airbags, works together to help minimise the strain on all occupants and maximise protection.

The front seats not only provide world-class comfort. They are also designed to protect you in the event of an impact. Our unique whiplash injury protection helps protect your back and neck if your car is hit from behind. And in a run-off road

scenario, the energy-absorbing front seat structure will help protect your spine in a hard landing, should the car become airborne.

Your Volvo can even sense and prepare for impact. The optional prepared front safety belts tighten automatically if the car detects that a collision is likely, to ensure you're in the safest position should one occur. And in the event of an accident, your Volvo can automatically contact emergency services using Volvo On Call and communicate the car's location so that you can get help as quickly as possible.

It's this range of safety technologies and attention to detail that makes your Volvo a safe place to be.



### Crash-absorbing front seats

The sculpted front seats in your Volvo are more than just beautiful to look at. Their unique structure helps to absorb vertical impacts, helping to protect your spine if the car lands heavily after leaving the road. It's another example of how we make every part of a Volvo work harder for your safety.

### Volvo safety cage

The passenger compartment uses a high percentage of ultra high-strength boron steel to create a protective cage around everyone inside the car, while front and rear deformation zones help dissipate the crash energy. The safety belts and airbags work together to cushion you and your passengers in a controlled fashion.



### Child safety

At Volvo Cars we've spent decades continually researching and improving child safety. Our unique approach includes creating and carrying out tests based on real-life traffic situations, as well as testing our child seats\* alongside our cars. With our latest range of child seats, we offer unparalleled protection.

\*This is an accessory & does not come with the regular features of the car.



## ENJOYING MORE, USING LESS.

**With the perfect** balance between performance and efficiency, every Volvo powertrain gives you a great drive with low fuel consumption and reduced emissions.

The combination of lightweight, low-friction engine design and advanced boosting technology allows you to enjoy outstanding performance and a smooth, agile driving experience. Smaller engines lose less energy through friction so they can make every drop of fuel work harder to minimise emissions. We've used low-friction components to make them run smoother and more efficiently.

Reduced size and weight also frees up interior space and contributes to the car's dynamic handling.

This innovative approach also makes driving fun. By choosing the 235hp D5 diesel powertrain, you can enjoy PowerPulse. At lower speeds and from standstill, it activates the turbocharger as soon as you press the accelerator to give an instant boost of acceleration.

Precise manual transmissions and our eight-speed Geartronic™ automatic gearbox make the most of each engine's potential. Designed to minimise power loss and maximise performance,

Geartronic™ will always select the right gear for whatever is coming next, or you can choose to change gear yourself in manual mode.

The powertrain can also adapt to the mood you're in. Select Comfort, Eco, Dynamic or Individual mode with our drive mode control, and the powertrain, steering and optional active chassis adapt instantly to your preferences.

Whichever powertrain you choose for your Volvo, you will enjoy the benefits of responsive power and uncompromised efficiency – simply a great drive.

## DRIVEN TO PERFECTION.

**We designed the V90 Cross Country** from the ground up for all-road capability and on-road precision. That's why the sophisticated suspension gives you the best of both worlds. Accuracy and precision when you want it, with the technology to keep you moving when conditions are bad.

Double wishbone front suspension works in harmony with integral axle rear suspension to give you precise control over the car. Rear air suspension compensates for loads, while adapting to the road and driving conditions for an even better ride. Advanced driver aids such as Electronic Stability Control and Understeer Control Logic keep the V90 Cross Country stable, contributing to the way it handles corners. The Cross Country suspension and larger wheels create additional ground clearance, and all-wheel drive gives you the edge on demanding roads and in challenging conditions.

Choose between four drive modes that allow you to tailor the car's behaviour to your mood and find the perfect setting for the road you're on. Select Off-road mode and Hill Descent Control is automatically turned on, helping you negotiate steep downward slopes. Altering the engine, gearbox, accelerator and steering response changes the way the car behaves and, with the Active Chassis with rear air suspension, how it rides and handles.

And when you come to a stop, the V90 Cross Country helps you to get going again. Hill Start Assist makes pulling away on an incline effortless by holding the car on the brake until you press the accelerator. Auto Hold keeps the brakes on after you've released the pedal, so you can let the car do all the work in stationary traffic.



Discover superior comfort and handling created by rear air suspension. It soaks up poor road surfaces and keeps the ride height constant so the car responds how you want it to. Active Chassis technology allows you to customise the way the V90 Cross Country rides and handles.





## YOUR SOPHISTICATED ADVENTURE AWAITS.

A capable all-road car, the Volvo V90 Cross Country is built to enhance your every adventure. Clean, taut lines and rugged Cross Country details create a powerful look that conveys a strong sense of capability – with all the practicality and versatility of the Volvo estate built in.

The V90 Cross Country is packed with innovative technology for sophisticated travelling on all roads. All-wheel drive, increased ground clearance and an advanced chassis help you cope with rough roads, challenging weather and tough conditions.

No matter what's going on outside, the V90 Cross Country is a sanctuary inside. The spacious, light-filled cabin is made from the finest materials and constructed with the care and attention provided by Swedish craftsmanship.

Exceptional seating is at the heart of the experience. We build all our seats to give the same high standards of comfort and support, with plenty of adjustment so everyone can find a position that suits them. With the front massage seats, you and your front seat passenger can easily tailor the massage function to your preferences. This luxurious amenity massages your back during long journeys.

Designed to make every journey an adventure, the Volvo V90 Cross Country is a place where you can relax in comfort, where technology enhances your drive and opens up a world of destinations.

The Volvo V90 Cross Country is a car that's sophisticated, tough and practical. Its large wheels and increased ground clearance give you confidence on any road, and front and rear skid plates and Charcoal body cladding add a rugged look. On the inside, you can relax on the way to your adventure in a meticulously crafted interior with a superior finish and detailing wherever you look. Leather seats and unique Black Walnut decor add to a sumptuous look and feel.

Signature design LED illumination headlights, the unique high gloss black Cross Country grille, a front skid plate and bright aluminium roof rails contribute to the both powerful and elegant appearance of the V90 Cross Country.



The power-operated leather seats with unique Cross Country stitching and adjustable seat cushion extensions, together with unique Black Walnut genuine wood decor inlays and the optional Tailored dashboard add to the sensory experience of contemporary luxury.

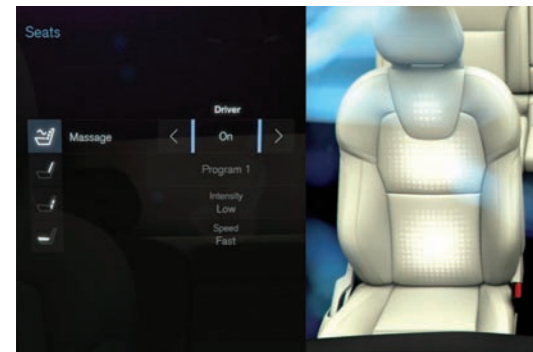


Large wheels, increased ground clearance, high gloss black side window trim and lower body parts and wheel arch extensions in contrasting Charcoal add to the rugged character of the V90 Cross Country. Shown here with optional 20-inch Black Diamond Cut alloy wheels.

Unique decor inlays in genuine Black Walnut add to the exclusive ambience inside your V90 Cross Country.



Select your preferred drive mode and steering characteristics with the scroll wheel in diamond patterned metal finish.



Front Massage Seats - The backrest features ten massage points, with five programs, three speeds and three intensities to choose from. Available for Comfort seats with Perforated Fine Nappa Leather upholstery.

At the rear, the integrated stainless steel dual tailpipes, the rear skid plate and the Charcoal bumper with embossed Cross Country logotype add to the car's elegant yet rugged look.



Our optional Bowers & Wilkins audio system with 19 high-end speakers is created to deliver the most realistic immersive sound possible.



ACCESSORIES.  
YOUR V90 CROSS COUNTRY,  
THE WAY YOU WANT IT.

Enhance the rugged looks of the V90 Cross Country and express your individuality by choosing our exterior styling package, or select individual components as accessories for increased style and presence.

Side scuff plates in stainless steel, embossed with the Cross Country logo, match the standard front and rear sillmoulding. Integrated dual split tail pipes create a more tailored look. Choose our 20-inch five spoke Matt Black/Diamond

Cut or 21-inch seven spoke Matt Tech Black/Diamond Cut alloy wheels, both only available for the V90 Cross Country, with their diamond cut finishes in matt black and grey.



1. Volvo designed roof box. 2. Load carriers. 3. Bumper cover.

## DESIGNED FOR YOUR LIFE.

Add to the inherent practicality of the V90 Cross Country with a range of exterior accessories from Volvo Cars, which are designed to look good and work flawlessly. Made from tough, high-quality materials they're built to withstand the punishment inflicted under any weather condition.

Take advantage of our range of roof-mounted accessories by adding a pair of tough, low-profile load carriers. Easy to fit – they clip onto the car's roof rails – they instantly allow you to fit our load carrier accessories, from the ski rack to the canoe and kayak holder.

Our lightweight, stylish roof box fits straight onto the load carriers, adding 350 litres to the carrying capacity. Ideally suited to carrying skis (and capable of carrying up to six pairs) its low weight and quick grip mountings make it possible to fit with one hand. Neat touches such as LED lighting in the lid, help you load in the dark and make the roof box indispensable if you have lots to carry.

The bumper cover protects the paintwork from damage caused by loading objects into the boot. Made from stainless steel with a high gloss finish, the cover looks great and works well.





1. Protective steel grille. Load compartment divider. Dog gate. Load liner. 2. Load compartment mat, plastic. 3. Illuminated load scuff plate. 4. Mud flaps, front. 5. Semi-electrical foldable towbar.

6. Load compartment dirt cover, fully covering. 7. Load compartment mat, reversible and foldable.

Make your life easier with accessories that extend the built-in versatility of the V90 Cross Country and protect the car's interior.

A steel grille provides a sturdy barrier between the load and passenger compartments. The load compartment divider splits the boot in two so you can carry a pet and luggage, and a dog gate creates a secure compartment to keep pets safe.

Keep the interior of your V90 Cross

Country immaculate with our load compartment covers, including a tough plastic mat, a dirt cover that protects the entire load compartment (and folds out to protect the bumper too) and a reversible, foldable mat with fabric on one side and plastic on the other. An illuminated tailgate scuff plate covers the load sill.

In addition, the electrically folding towbar gives you the ability to tow without the inconvenience of a fixed towbar. Press a button in the boot and the

towbar slides out from under the car – all you have to do is lock it into position with one click. And, with the electrical socket integrated into the towbar's neck, it's unobtrusive and compact.

A set of Volvo-designed mudflaps deflects road grime and dirt from the car's bodywork and reduces the effects of spray on following traffic. Made from soft plastic, they are tough enough to withstand everyday use and flexible enough to bend but not break.



7. 20" 5-Double Spoke Matt Black/Diamond Cut. 8. 21" 7-Open Spoke Matt Tech Black/Diamond Cut. 9. See more lifestyle accessories at [collection.volvocars.com](http://collection.volvocars.com)

1. iPad® holder, rear seat. 2. Personalised remote control shell. 3. Child seat, booster cushion and backrest. 4. Child seat, booster seat. 5. Child seat, rearward facing. 6. Child seat, infant seat.

Create a V90 Cross Country that complements your life. The sleek iPad® holder allows rear-seat passengers to watch, read or play and has two USB ports for charging devices. The remote control can be personalised to match or contrast your car's interior trim with different exterior casings.

Our new child seats combine comfort with state-of-the-art-safety and are

designed to fit perfectly into your Volvo. Made from Wooltextile cloth, which is 80 per cent wool, they're durable and tough but also soft and breathable, so your children stay comfortable and safe.

At Volvo Cars we apply the same stringent standards to our child seats as we do to building our cars, so you know your children are well protected. They are the result of more than half a century

of hard work, continuous testing and meticulous research. Our new range of rearward-facing child seats gives the best possible protection for your children, and our booster seats mean that we continue to keep them safe as they grow up.



## A POWERFUL CHOICE.

We created the Volvo V90 Cross Country with one single purpose: to provide you with a car that perfectly fits you and your lifestyle. A car that meets your expectations of a dynamic drive with refined comfort and sophisticated design – built with care for people and the world we share. A car that's intuitive to use and makes life less complicated, and is a pleasure to live with every day.

At the heart of your Volvo V90 Cross Country is a dynamic, efficient powertrain. Whichever you choose, you will enjoy our latest Drive-E technology that gives you instant response and a smooth ride. Fuel consumption and CO<sub>2</sub> emissions are kept

low, and our powertrains comply with strict exhaust emission requirements.

Our Drive-E powertrain range includes advanced diesel engine mated to our smooth eight-speed Geartronic™ automatic gearbox or a distinct six-speed manual gearbox, available with responsive AWD all-wheel drive technology or front-wheel drive. Make your choice, and enjoy the journey wherever it takes you.

### D5 AWD

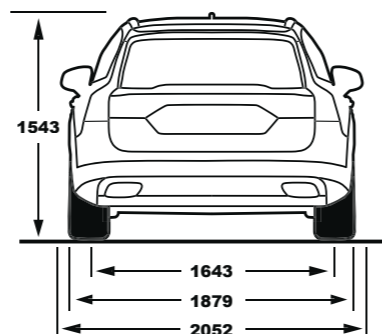
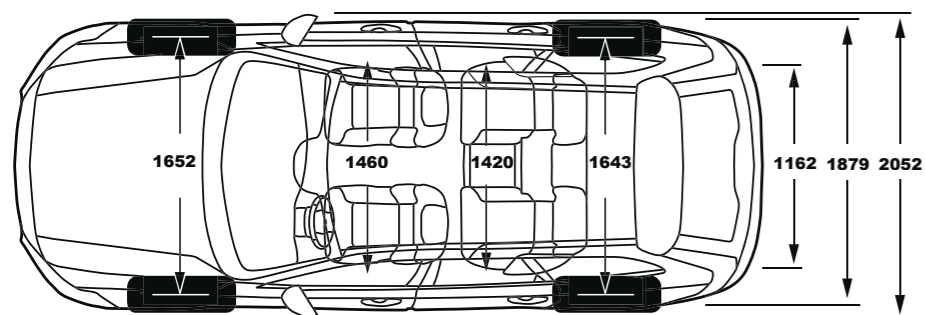
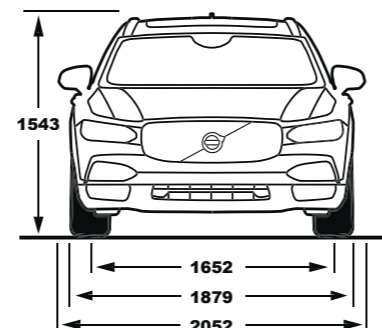
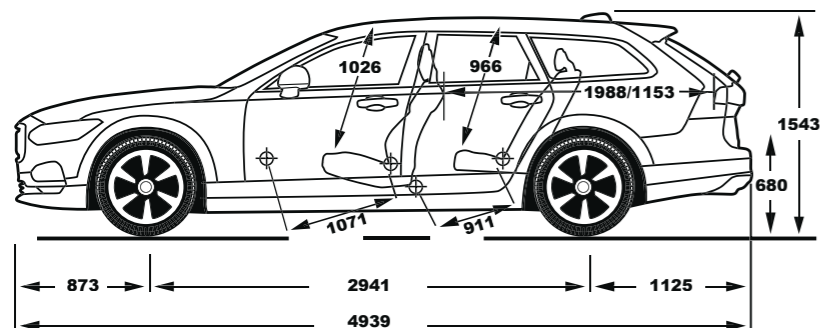
Our most powerful 235hp/480Nm diesel powertrain D5 AWD allows you to experience performance and refinement without compromises. Twin-turbo engine technology, our 8-speed Geartronic™ automatic and all-wheel drive add to instant control.

**NB.** The engine programme may vary from country to country. Please talk to your Volvo Car dealer for the latest information.

## WELCOME TO VOLVO CAR LIFESTYLE COLLECTION.

Our Lifestyle Collection includes a wide range of lifestyle accessories – from Swedish crystal and crafted leather bags, to clothing, watches and more selected items. To view the complete collection, please visit [collection.volvocars.com](https://collection.volvocars.com)





**Please note:** Some of the information in this brochure may be incorrect due to changes in product specifications that may have occurred since printing. Some of the equipment described or shown may now only be available at extra cost. Before ordering, please ask your Volvo Cars dealer for the latest information. The manufacturer reserves the right to make changes at any time and without notice to prices, colours, materials, specifications and models.





# V90 CROSS COUNTRY KEY FEATURES



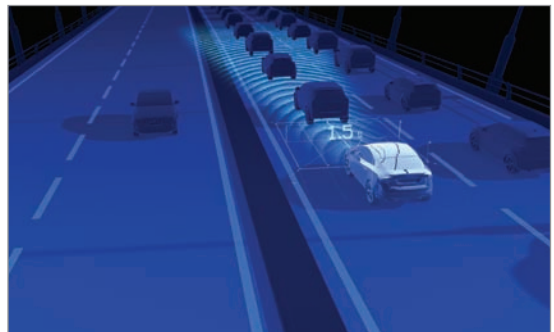
**8-SPEED AUTOMATIC AWD**



**ACTIVE CHASSIS WITH REAR AIR SUSPENSION**



**LED BENDING HEADLIGHTS**



**ADAPTIVE CRUISE CONTROL**



**POWER/HANDSFREE-OPERATED TAILGATE**



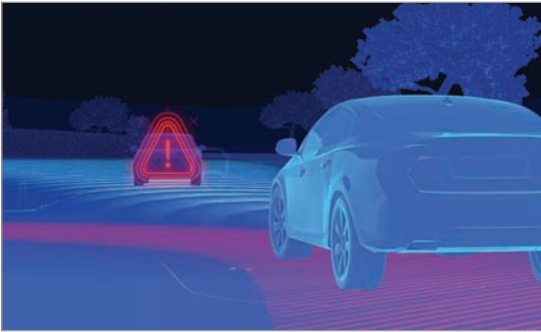
**360 DEGREE CAMERA**



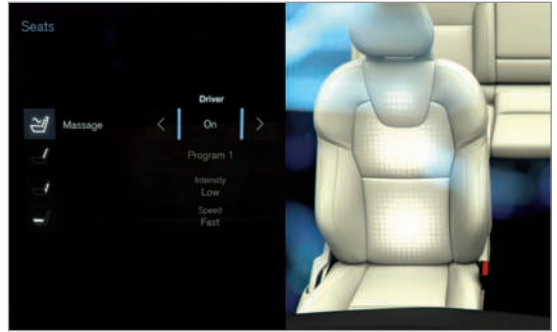
**PARK ASSIST PILOT**



**PANORAMIC SUNROOF**



**CITY SAFETY™**



**BACKREST MASSAGE FRONT SEATS**



**210MM GROUND CLEARANCE**



**PREMIUM SOUND BY BOWERS & WILKINS**



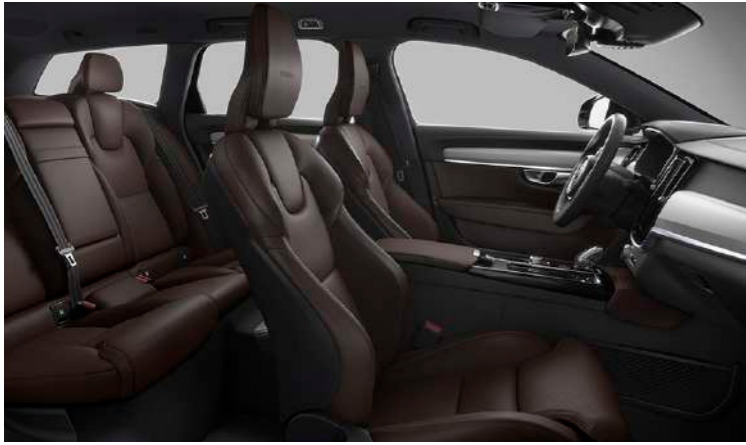
**POWER-OPERATED MULTI-DIRECTIONAL LUMBAR SUPPORT**



**4-ZONE CLIMATE CONTROL SYSTEM**

Some of the information in this leaflet may be incorrect due to changes in product specifications that may have occurred since printing. Some of the equipment described or shown may now only be available at extra cost. Before ordering, please ask your Volvo dealer for the latest information. The manufacturer reserves the right to make changes at any time and without notice to prices, colours, material, specification and models. Shot outside India with a left-hand drive car.

## UPHOLSTERIES

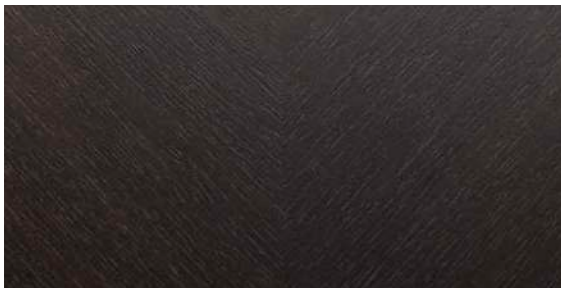


Perforated Fine Nappa Leather, Maroon Brown in Charcoal interior with ventilated comfort seat (RC30)



Perforated Fine Nappa Leather, Amber in Charcoal interior with ventilated comfort seats (RC20)

## INLAYS



Black Walnut Decor Inlays

Kindly check with your local authorised Volvo Cars dealer on the exterior colours, upholsterys and wheel options available for your car.



# V90 CROSS COUNTRY SPECIFICATION SHEET

ENGINE VARIANT	D5 INSCRIPTION
<b>TECHNICAL DATA</b>	
Capacity (ccm)	1969
Max output in Hp	235
Max torque in Nm	480
Ground Clearance (mm)	210
<b>TRANSMISSION</b>	
Automatic 8-speed AWD	S
Stop/Start	S
Speed Limit (km/h)	230
<b>CLIMATE</b>	
4-zone Electronic Climate Control incl. cooled glove box	S
CleanZone (Air Quality System)	S
Sun blind, rear side door windows	S
Panoramic sunroof with power operation	S
Heated windscreen washer nozzles	S
<b>LOCKING AND SECURITY SYSTEMS</b>	
Interior motion sensor for alarm	S
Inclination sensor for alarm	S
Lock cylinder glovebox	S
Key remote control Inscription, leather clad	S
Keyless entry with remote tag and handsfree tailgate opening	S
Private locking	S
Power child lock, rear side doors	S
Central lock switch with diode in front and rear doors	S
Laminated windows	S
<b>INSTRUMENTATION</b>	
31.242 cm (12.3 inch) Driver Display	S
<b>SEATS</b>	
Nappa leather upholstery	S
Ventilated front seats	S
Power adjustable driver & passenger seat with memory	S
Power adjustable side & lumbar support	S
Power cushion extension driver & passenger side	S
Backrest massage, front seats	S
Heated front seats	S
Power folding rear headrests	S
Centre armrest with cupholders and storage	S
<b>INTERIOR</b>	
Black Walnut decor inlays	S
Illuminated vanity mirrors in sunvisor LH / RH side	S
Parking ticket holder	S
Leather upgrade on dash board + front / rear doors	S
Leather steering wheel, 3 spoke, with uni deco inlays, sport	S
Leather gear lever knob with uni deco	S
Standard pedals	S
Netpocket on tunnel	S
Cigarette lighter / Ashtray front + Ashtray in rear doors	S
12 volt outlet, in rear/lower tunnel console	S
Compass	S
Automatically dimmed inner and exterior mirrors	S
Carpet kit, textile	S
Sillmoulding 'Volvo' metal illuminated	S
Interior illumination high level	S



MODEL VARIANT	D5 INSCRIPTION
---------------	----------------

LUGGAGE COMPARTMENT	
---------------------	--

Temporary sparewheel	S
Jack	S
Power - Operated Tailgate / Boot lid	S
Cargo opening scuff plate - metal	S
12V outlet in luggage area	S

EXTERIOR	
----------	--

Bright integrated roof rails	S
Grill CC mesh	S
Standard mesh front	S
High gloss black decor side windows	S
Matte black sills and bumpers, lower section	S
Colour coordinated door handles with Illumination and puddle lights	S
Black wheel arch	S
Dual integrated tail pipes	S
Colour coordinated rear view mirror covers	S
Retractable mirrors	S
Foglights in front spoiler	S
LED headlights with automatic bending	S
Headlight high pressure cleaning	S
EBL, Flashing Brake Light and Hazard Warning	S

SUPPORT SYSTEMS	
-----------------	--

Adaptive Cruise Control	S
Pilot Assist	S
Collision Mitigation Support, front	S
Lane Keeping Aid	S
360 degree camera	S
Park Assist Pilot + Park Assist Front and Rear	S
Personal settings, power steering	S
Drive mode settings	S
Hill Start Assist	S
Hill Descent Control	S
Rainsensor	S

SAFETY	
--------	--

SIPS airbags	S
Inflatable curtains	S
Whiplash protection, front seats	S
Pyrotechnical pretensioners, front / rear all positions	S
Cut-off Switch Passenger AirBag	S
Isofix - outer position rear seat	S
Emergency Brake Assist, EBA	S
EBL, Flashing Brake Light and Hazard Warning	S
High positioned rear brake lights	S
Intelligent Driver Information System (IDIS)	S

AUDIO, NAVIGATION & TELEMATICS	
--------------------------------	--

Premium Sound by Bowers and Wilkins (1400 W, 19 Speakers)	S
Remote control buttons in steering wheel	S
2 USB & Bluetooth connection	S
CD player in centre console storage	S
Subwoofer	S
Navigation	S
Road Sign Information (RSI)	S
Smartphone integration with USB Hub	S

ENGINE INSTALLATION	
---------------------	--

Fuel tank - 60 litres	S
Diesel fuel pump	S

CHASSIS	
---------	--

Air suspension, 2 corner	S
Chassis, Four-C	S

WHEELS	
--------	--

48.26 cms (19 inch) - 5-double spoke - Black Diamond Cut alloy wheel	S
Michelin V	S
Tire Pressure Monitoring System (TPMS)	S

## VOLVO V90 CROSS COUNTRY

EXTERIOR COLOURS, TRIM LEVEL, UPHOLSTERIES AND ALLOY WHEELS



707 - CRYSTAL WHITE



717 - ONYX BLACK



721 - PINE GREY METALLIC



723 - DENIM BLUE



722 - MAPLE BROWN



48.26 cms (19 inch)  
5-double spoke - Black Diamond Cut

**V O L V O**