

THE NEW X3



# THE NEW BMW X3.



DISCOVER MORE.



Scan the code to get more information,  
more driving pleasure on the new BMW X3.

HIGHLIGHTS  
JOURNEY

MODELS

EQUIPMENT

TECHNICAL VALUES  
AND SERVICES



#### Highlights

- Exterior and interior design
- Connectivity
- Assistance systems
- Driving dynamics

#### Model Overview

##### Models

- SportX Plus
- M Sport

#### Equipment

##### Exterior Colours

##### Interior Colours

##### Original BMW Accessories

#### Technical data

##### BMW Service

---

EVERY LUXURY.  
EVERY INDULGENCE.  
EVERY THRILL.  
EVERY SENSE.  
WHATEVER BE YOUR DESTINATION.  
WHATEVER BE THE ROAD.  
EVERYTHING X EVERYWHERE



THE NEW BMW X3.



# ALWAYS AHEAD OF THE TREND.

Thanks to sporty, tight surfaces and iconic highlights on the exterior as well as a unique connection of athleticism and comfort in the interior, the new BMW X3 shows you

where you're heading – and will be the first to confidently get to the destination.

## A CLEAR MESSAGE: THE FRONT.

Even from the front, the dynamic presence and typically focused expression of the new BMW X3 are thrillingly obvious. Tight, ample surfaces in vehicle colour powerfully extend around the central icon – BMW's characteristic radiator grille. At the same time, traditional X elements create an incomparable feeling of liberty that is intensified further by sporty details. Simply put a character that immediately expresses the urge for daily adventures – the new BMW X3.



■ Particularly **slim headlights** intensify the striking look of the new BMW X3 onto the road ahead. Equipped with full LED technology guarantee optimum illumination of the road.

■ Appealing icon: the large **BMW double radiator grille** is encased by a single-part frame. Its striking, angular design towards the top clearly indicates the appealing self-confidence that characterises the new BMW X3.

■ Standard equipment   □ Optional equipment

The availability of some equipment, functions, and digital services depends on engine variants or additional optional equipment. The offer structure as well as market and production availability may vary.

For detailed information on availability, terms and costs, please contact your nearest BMW Authorised Dealership.





## SPORTINESS MEETS SOLIDITY: THE SIDE VIEW.

A perfect balance of all qualities that characterise the new BMW X3 from the side and make it seem so fascinating. Tight, ample surfaces particularly emphasise the typical proportions of a BMW X. Its dynamic outline already triggers anticipation for the next invigorating driving experience at first glance.

The new BMW X3 has a wide, confident stance. This impression is further enhanced by pronounced, horizontal lines. The underide protection also emphasises the modern, reduced design language from this perspective: it frames free-form tailpipe trims as part of a three-dimensional impression and lends the new BMW X3 a clear conclusion towards the road.

## POWERFUL STATEMENT: THE REAR.



■ The rear lights with full LED technology make the rear view of the new BMW X3 seem even sharper. The distinctive, three-dimensional modelling of red areas with integrated turn indicators additionally underlines the presence of the rear end.

■ Standard equipment □ Optional equipment

The availability of some equipment, functions, and digital services depends on engine variants or additional optional equipment. The offer structure as well as market and production availability may vary.

For detailed information on availability, terms and costs, please contact your nearest BMW Authorised Dealership.

A noticeable sporting character combined with a clear orientation towards the driver and cutting-edge elegance – take a seat in the new BMW X3 and immediately enjoy that pleasant feeling of being in full control and having a complete overview. Ample decor and clearly structured control and information elements will set your heart racing as soon as you have taken your comfortable seat in the focus of the action.

■ Always the best seats: the **sport seats** in the new BMW X3 feature the most recent Sensatec generation upholstery. Its refined structure generates an extremely pleasant haptic perception while the material's perforation guarantees ideal seat ventilation – even when the thrilling driving experience sends your heart racing.

□ The Controller with integrated **air conditioning control panel** harmoniously integrates into the centre console featuring a **12.3" information display** to guarantee a perfect overview – High-grade, galvanised elements, for instance around the fresh air vents, represent elegant highlights and emphasise the sporty, horizontal lines of the interior equipment.

## ATHLETIC AESTHETICS: THE INTERIOR.



# FREEDOM BEGINS WITH CONNECTION.

Leave everything behind – but stay connected with what is important to you: comprehensive connectivity and infotainment functions in the new BMW X3 guarantee

that you can easily and seamlessly bring your digital life into the vehicle and are provided with the support you need at any time – regardless of where you are heading.



---

□ Always intelligent by your side: The **BMW Intelligent Personal Assistant** not only has all the answers to any question about the new BMW X3, it can also be operated particularly intuitively thanks to extended language functions to guarantee that you will absolutely feel good in the new BMW X3 from the outset.

---

□ The **BMW Live Cockpit Professional** is where everything comes together. This innovative display cluster consists of a high-resolution 12.3" central information display as well as a fully digital 12.3" multifunctional instrument display that can be controlled very intuitively, for instance by voice control or using the iDrive Touch Controller.

---

■ Standard equipment □ Optional equipment

The availability of some equipment, functions, and digital services depends on engine variants or additional optional equipment. The offer structure as well as market and production availability may vary.

For detailed information on availability, terms and costs, please contact your nearest BMW Authorised Dealership.

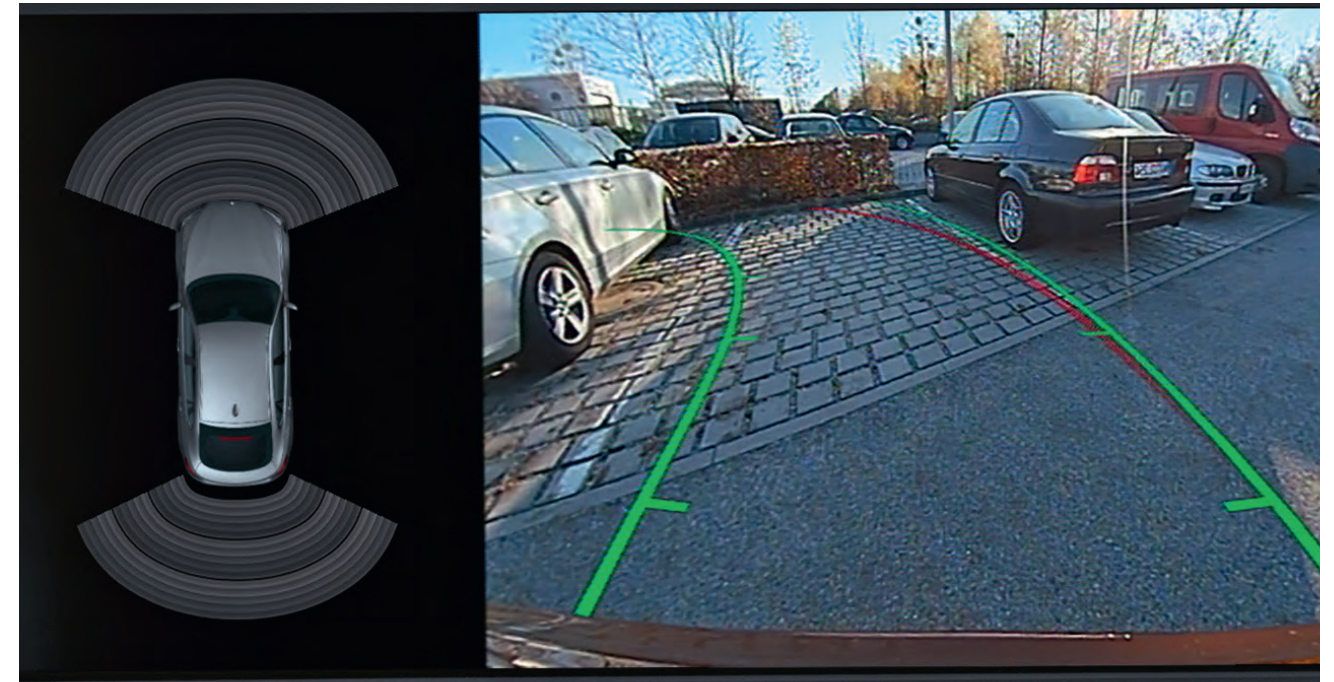




## EVERYTHING UNDER CONTROL. WITH CERTAINTY.

The new BMW X3 is always by your side to also reliably support you in challenging driving situations. An intelligent combination of sensor system, driver assistance systems

and safety technologies make sure you feel perfectly comfortable during every trip and master any situation with superiority.



□ The innovative, **Parking Assistance Plus** combines driving technologies in a comprehensive assistant for any trip: it combines both active and passive safety systems including parking assistant function to facilitate both parallel and perpendicular parking. The Reversing Assistant supports you when reversing out of narrow lanes. Surround View includes rear view camera with Panorama View, Top View and 3D View.

■ Standard equipment   □ Optional equipment

The availability of some equipment, functions, and digital services depends on engine variants or additional optional equipment. The offer structure as well as market and production availability may vary.

For detailed information on availability, terms and costs, please contact your nearest BMW Authorised Dealership.



## DYNAMICS UNLIMITED.

Sparks a passion every time it accelerates, over and over again: the new BMW X3 impresses with absolute driving pleasure from the first metre. Accurate turn-in ability, superior power development and invigorating agility merge

to form typical BMW handling that turns into the ultimate driving pleasure experience, also thanks to the vehicle's unique efficiency – regardless of the route you choose.

■ Standard equipment   □ Optional equipment

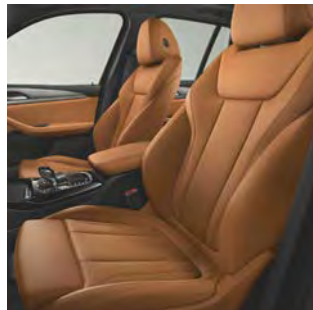
The availability of some equipment, functions, and digital services depends on engine variants or additional optional equipment.

The offer structure as well as market and production availability may vary. For detailed information on availability, terms and costs, please contact your nearest BMW Authorised Dealership.

■ No matter what everyday life has in store for you – **BMW xDrive** all-wheel drive combines the benefits of traction, directional stability and driving safety with classic BMW agility.

□ Even more agile in any driving situation: thanks to demand-based power distribution at the rear wheels, **Performance Control** tangibly boosts the driving dynamics of the new BMW X3 even further, most of all when cornering.

# SportX Plus



■ The adjustable Sport seats for the driver and front passenger feature numerous electric adjustment options, including fore-and-aft position, and the backrest and seat angle.

■ The black Sport leather steering wheel with three spokes features a Chrome decorative trim. A thick rim and contoured thumb rests provide an exceptionally pleasant, high-grip feel.



■ 19" aerodynamic bi-color light alloy wheels style 842 in Jet Black, wheel size 7J x 19, with 245/50 R19 tyres.



■ The Adaptive LED headlights include low-beam and high-beam headlights and turn indicators with full LED technology. The equipment also features BMW Selective Beam, cornering lights, daytime running lights and Adaptive headlights with variable light control for excellent illumination of the road ahead and better visibility in the dark.

## EXTERIOR EQUIPMENT FEATURES:

- 19" aerodynamic wheels 842 bi-color
- Adaptive LED headlamps
- Window recess finisher strip and roof rails, matt aluminium
- Servotronic

## INTERIOR EQUIPMENT FEATURES:

- Sport seats for driver and front passenger
- Sensatec perforated upholstery
- Interior trim finishers black high-gloss with highlight trim finisher Pearl Chrome
- Sport leather steering wheel
- Steptronic transmission
- Automatic three zone air conditioning
- BMW Live Cockpit Plus
- Interior and exterior mirror package with automatic anti dazzle function

The model, equipment and possible vehicle configurations illustrated in this brochure may differ from the vehicles supplied in the Indian market. The availability of some equipment, functions, and digital services depends on engine variants or additional optional equipment. The offer structure as well as market and production availability may vary. For detailed information on availability, terms and costs, please contact your nearest BMW Authorised Dealership.

■ Standard equipment   □ Optional equipment

# M SPORT PACKAGE.



■ The adjustable Sport seats for the driver and front passenger feature numerous Electric adjustment options, including fore-and-aft position, and the backrest and seat angle.

■ The M Leather steering wheel including multifunction buttons, an M badge and an integrated driver-side airbag is featured in three-spoke design. With a steering wheel rim in leather, 'Walknappa' Black with black stitching and contoured thumb rests, it provides a direct, athletic steering experience.



■ 19" M light alloy wheels Double-spoke style 887 M Bicolour Black Grey, 7.5J x 19 with 245/50 R19 tyres.



■ Aerodynamic components in body colour, consisting of front and rear aprons and sill covers at the side. Rear bumper trim insert in Dark Shadow metallic

## EXTERIOR EQUIPMENT FEATURES:

- M Aerodynamics package with front apron, side sills and wheel arch trims in body colour
- 19" M light alloy wheels Y-spoke style 887 M Bicolour Black-Grey
- Adaptive suspension
- M roof rails high-gloss Shadow Line
- M high-gloss Shadow Line, with decorative moulding of high gloss black
- M designation on the sides
- Exterior mirror caps in body colour
- Rear apron with diffuser insert in Black high-gloss
- Tailpipe trim strip in Chrome high-gloss in M Sport package specific design

## INTERIOR EQUIPMENT FEATURES:

- M entry sills, M driver's footrest and M specific pedals
- Sport seats for driver and front passenger
- Sensatec perforated upholstery
- M leather steering wheel with multifunction buttons
- Vehicle key with exclusive M designation
- M anthracite headliner
- M interior trim finishers in Aluminium Rhombic Dark with highlight trim finishers in Pearl Chrome; other trims available
- Loading sill of the luggage compartment in stainless steel

The model, equipment and possible vehicle configurations illustrated in this brochure may differ from the vehicles supplied in the Indian market. The availability of some equipment, functions, and digital services depends on engine variants or additional optional equipment. The offer structure as well as market and production availability may vary. For detailed information on availability, terms and costs, please contact your nearest BMW Authorised Dealership.

■ Standard equipment   □ Optional equipment

## EQUIPMENT HIGHLIGHTS.



□ The M high-gloss Shadow Line includes numerous equipment details in Black high-gloss: side frame trim strips, window recess finishers, exterior mirror caps, mirror base and triangle, B-pillar trim panels and window guide bars on the rear doors.



■ The adaptive LED headlights include low-beam and no-dazzle high-beam headlights (BMW Selective Beam) and turn indicators with full LED technology. The equipment also features cornering lights, daytime running lights and Adaptive headlights with variable light control for excellent illumination of the road ahead and better visibility in the dark.



□ The adaptive suspension makes it possible to ideally adjust the damper characteristics to suit any given driving situation, improving roll comfort and driving dynamics. In addition to the standard COMFORT setting for increased driving comfort, the SPORT program can also be selected for athletic damper settings.

The availability of some equipment, functions, and digital services depends on engine variants or additional optional equipment. The offer structure as well as market and production availability may vary. For detailed information on availability, terms and costs, please contact your nearest BMW Authorised Dealership.

■ Standard equipment □ Optional equipment

## EQUIPMENT HIGHLIGHTS.



□ The Instrument panel in Sensatec lends the interior of the vehicle a highly exclusive atmosphere. The artificial leather is applied directly to a semi-rigid foam, and features an impressively soft surface. The wear-resistant material around the door panels on the front and rear features attractive double-lap seams.



■ When open, the Panorama glass roof provides a great deal of fresh air. Closed, it creates a bright, light-flooded atmosphere in the interior. It opens and closes completely automatically at the push of a button or with the vehicle key, and is equipped with slide and lift functions, roller sunblind and wind deflector.



□ Harman Kardon surround sound system with 464-watt digital amplifier, nine channels, vehicle-specific equalizer and 16 speakers.



■ The adjustable Sport seats for the driver and front passenger feature numerous adjustment options, including fore-and-aft position, and the backrest and seat angle. Thanks to larger seat and backrest bolsters, and well-defined side bolsters, they provide excellent ergonomics and a high degree of lateral support.

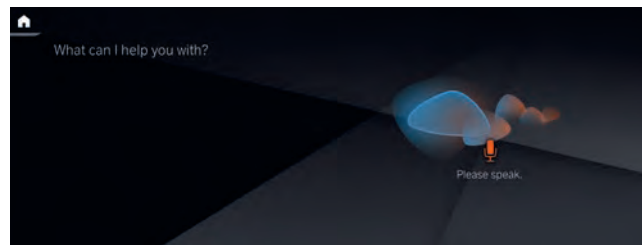
The availability of some equipment, functions, and digital services depends on engine variants or additional optional equipment. The offer structure as well as market and production availability may vary. For detailed information on availability, terms and costs, please contact your nearest BMW Authorised Dealership.

■ Standard equipment □ Optional equipment

# EQUIPMENT HIGHLIGHTS.

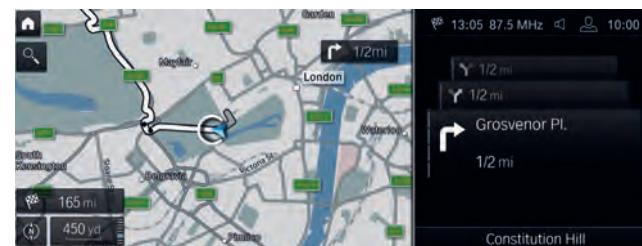
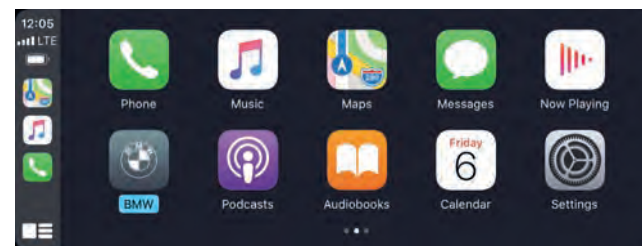


□ The BMW Live Cockpit Professional with navigation function includes two high-quality displays consisting of a high-resolution 12.3" Control Display that can be operated by touch and a fully digital 12.3" instrument display. The BMW Operating System 7 can also be operated via the iDrive Touch Controller.



□ Wouldn't it be incredible if your BMW was also your personal vehicle expert? Communicate with your vehicle using the BMW Intelligent Personal Assistant. Say natural commands to operate numerous vehicle functions. It can also explain topics about your vehicle and helps you to get to know your BMW even better.

■ Why go without the features of your smartphone in your BMW when you can continue operating it as usual? With smartphone integration<sup>1</sup>, your vehicle supports Apple CarPlay and Android Auto by means of a wireless connection between your smartphone and the vehicle. This allows you to conveniently use familiar functions and various apps in the vehicle.



■ During planning and preparation, while driving and even while parking: BMW Maps guarantees you an outstanding navigation experience. Make your journey even more comfortable and personal – thanks to the intuitive operation and navigation perfectly tuned to the driver.

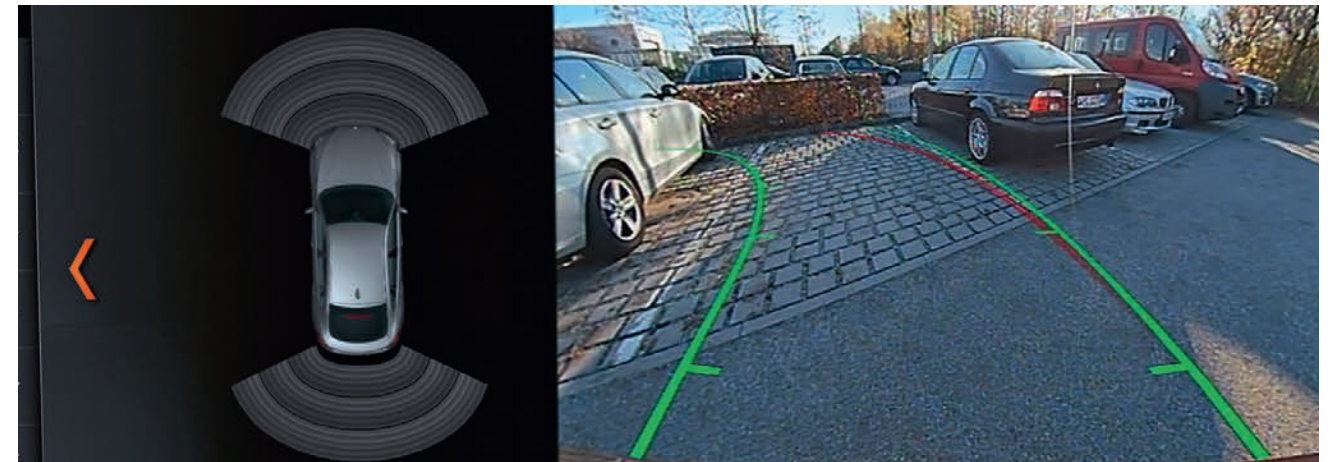
■ Standard equipment □ Optional equipment

<sup>1</sup> Smartphone Integration is permanently available in the vehicle. It includes Apple CarPlay and Android Auto. Android Auto linking is only possible in conjunction with a BMW Live Cockpit. Due to possible future technical developments (e.g. of mobile phones), the usability of the Apple CarPlay or Google Android Auto service cannot be guaranteed permanently. CarPlay is a trademark of Apple Inc. Android Auto is a trademark of Google LLC.

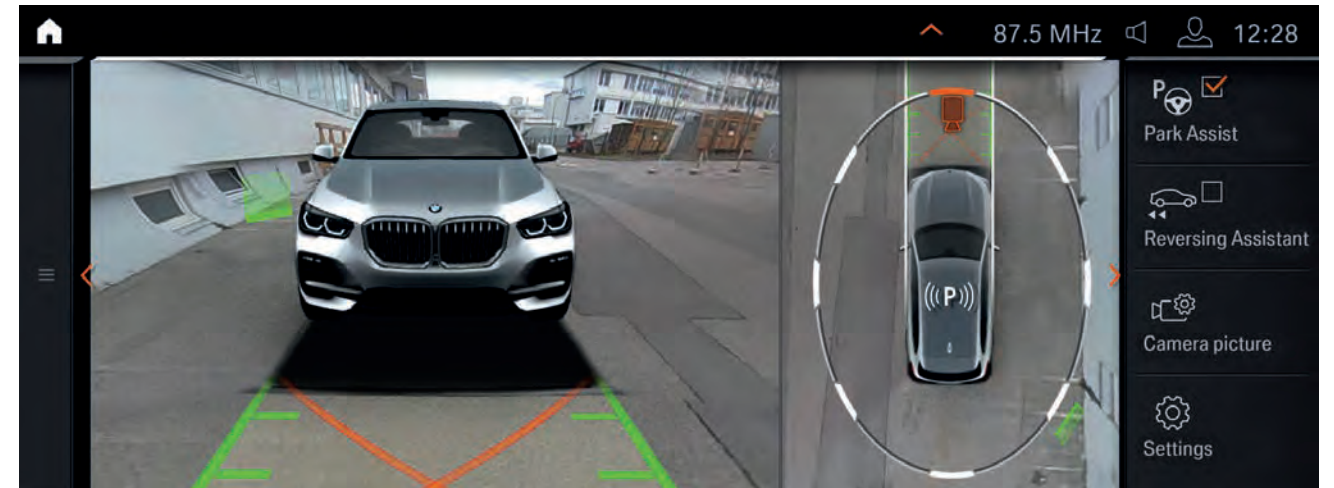
The availability of some equipment, functions, and digital services depends on engine variants or additional optional equipment. The offer structure as well as market and production availability may vary. For detailed information on availability, terms and costs, please contact your nearest BMW Authorised Dealership.

# EQUIPMENT HIGHLIGHTS.

■ The Parking Assistant<sup>2</sup> makes parking the vehicle easier. The Reversing Assist Camera and Reversing Assistant support the driver when reversing. Active Park Distance Control offers increased protection against damage caused by parking. Parking Assistant parks the vehicle automatically, parallel or perpendicular to the street, and leaves parallel parking spaces.



□ The Parking Assistant Plus<sup>2</sup> makes parking and manoeuvring the vehicle easier. The equipment package features the Surround View system Active Park Distance Control and the Parking and Reversing Assistant. The Surround View system makes parking easier by making the area around the vehicle visible with Top View, a Panorama View with automatic activation as well as a 3D View on the Control Display. You can see the parked vehicle's surroundings even from a distance, using Remote 3D View on your smartphone. When parking manually, additional sensors monitor the areas on the sides of the vehicle and obstacles are represented on the Control Display. The Active Park Distance Control emergency brake function helps prevent collisions during reverse parking. Parking Assistant parks your BMW automatically in parking spaces that are parallel or perpendicular to the street, and can also leave parallel parking spaces automatically. The system measures potential parking spaces while driving slowly past them (at speeds below 35 km/h) and at a maximum distance of 1.5 m from the row of parked vehicles. Once a sufficiently sized parking space has been found, you just need to turn on the indicator and the Parking Assistant takes over the steering, and covers gear selection and acceleration. All you need to do is monitor the parking process. If you have driven a route forwards while manoeuvring, Reversing Assistant records up to 50 m of this route so that it can drive back the same route on request.



■ Standard equipment □ Optional equipment

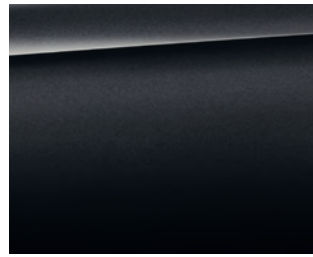
<sup>2</sup> The driver is responsible for constantly monitoring the automated parking procedure in accordance with local road laws. The availability of some equipment, functions, and digital services depends on engine

variants or additional optional equipment. The offer structure as well as market and production availability may vary. For detailed information on availability, terms and costs, please contact your nearest BMW Authorised Dealership.

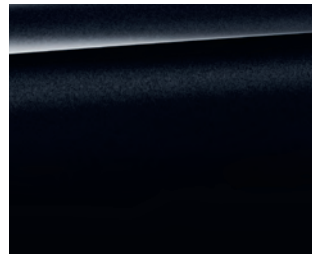
## EXTERIOR COLOUR WORLD.



□ Metallic Mineral White



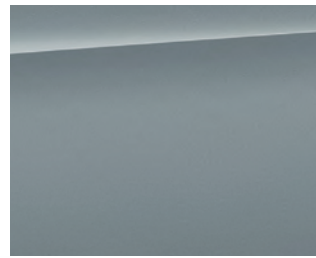
□ Metallic Sophisto Grey Brilliant Effect



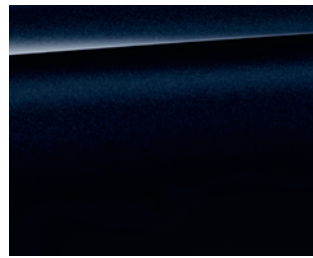
□ Metallic Black Sapphire



□ Metallic Phytionic blue



□ Metallic M Brooklyn Grey<sup>1</sup>



□ Metallic M Carbon Black<sup>1</sup>

■ Standard equipment   □ Optional equipment

**[ Colour samples ]** These colour samples are intended as an initial guide to the colours and materials available for your BMW. However, experience has shown that printed versions of paint, upholstery and interior trim colours cannot in all cases faithfully reproduce the appearance of the original colour. Please discuss your preferred colour choices with your BMW partner or in your dealership. There you can also see original samples and be assisted with special requests.

The availability of some equipment, functions, and digital services depends on engine variants or additional optional equipment. The offer structure as well as market and production availability may vary. For detailed information on availability, terms and costs, please contact your nearest BMW Authorised Dealership.

## INTERIOR COLOURS.

### UPHOLSTERY COLOURS



□ Sensatec perforated Canberra Beige with extended features

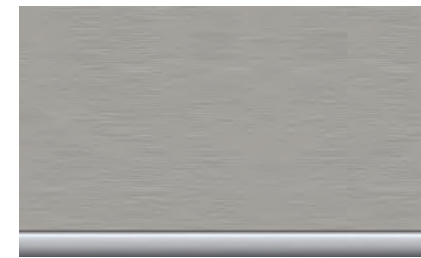


□ Sensatec perforated Cognac

### INTERIOR TRIM FINISHERS



□ Interior trim finishers black high-gloss with highlight trim finisher Pearl Chrome



□ Interior trim finishers Aluminium fine cutting with highlight trim finisher Pearl Chrome

■ Standard equipment   □ Optional equipment

<sup>1</sup> Only available for M Sport package.

The availability of some equipment, functions, and digital services depends on engine variants or additional optional equipment. The offer structure as well as market and production availability may vary. For detailed information on availability, terms and costs, please contact your nearest BMW Authorised Dealership.

Please note that even normal long- or short-term use can lead to unrecoverable upholstery damage. This can be caused in particular by non-colourfast clothing. Please note that the interior colour depends on the selected upholstery colour.



## ORIGINAL BMW ACCESSORIES.

AS A PROUD BMW OWNER, ACCESSORIES ARE CUSTOMISED TO YOUR OWN INDIVIDUAL TASTE. NOW YOU CAN FURTHER ENHANCE YOUR DRIVING PLEASURE WITH ORIGINAL BMW ACCESSORIES AND PERSONALISE THE NEW BMW X3 FOR A GREATER LEVEL OF LUXURY. CHOOSE FROM OUR WIDE RANGE OF ACCESSORIES SPECIALLY DESIGNED FOR THE INTERIOR, EXTERIOR, CONNECTIVITY, TRAVEL AND COMFORT TO SUIT YOUR INDIVIDUAL NEEDS.

## M PERFORMANCE PARTS.

**SELECTOR LEVER**  
(AVAILABLE IN ALCANTARA & CARBON FIBRE).



Product Code: 61315A40305/06\*

The BMW M Performance selector trim features in Carbon Fibre and Alcantara Options. The structure of the open-pored carbon fibre is pleasant to the touch. The premium quality Alcantara heightens the exclusive racing feeling.

**EXTERIOR MIRROR CAP**  
IN CARBON FIBRE.



Product Code: 51162446964

Looks good even behind the mirror. The striking carbon fibre exterior mirror caps accentuate the vehicle's high-tech pedigree, adding a unique athletic touch.

**DOOR SILL IN CARBON FIBRE.**



Product Code: 51472465482\*

The grand doorstep. The M Performance door sill finishers are finished with a high-quality carbon fibre trim and enhances the sporty and exclusive appearance of the vehicle.

**M PERFORMANCE KEY FOB.**



Product Code: 82292355519

Protects your key and looks great doing it! This key case is characterized by its material mix of carbon fibre and Alcantara. Timelessly elegant, technically sophisticated - and a small, fine statement for the motor sports.

**M PERFORMANCE**  
**FLOOR MATS.**



Product Code: 51472465743\*

No compromises, not even in the footwells. The BMW M Performance floor mats perfectly round out the upscale, dynamic appearance of the car's interior. Premium look. Optimal traction.

**REAR SPOILER FLOW THROUGH**  
(IN HIGH-GLOSS BLACK).



Product Code: 51192464329\*

Rear spoiler flow-through in High-Gloss Black

**SIDE SKIRT TRANSFERS (IN FROZEN BLACK)**



Product code: 51145A26A67

The M Performance side skirt foils in matt are perfectly tailored to the car's design and geometry. They lend the car an exceptionally sporty look.

## UNIVERSAL ACCESSORIES.

**ADVANCED CAR EYE 2.0**



Product Code: 66212457699

A highly sensitive full-HD camera that captures events in front and behind the car, even when it is parked. In the event of disturbances outside the vehicle, the camera automatically records the situation in order to document possible accidents or (attempted) break-ins.

**ALL WEATHER FLOOR MATS.**



Product Code: 51472450513

Precisely fitting floor mats that provide protection against moisture and dirt. In black and with a stainless steel X3 inlay, the mats are a perfect match with the interior.

**LEATHER KEY CASE.**



Product Code:  
82292408818/19/344033

The perfectly fitted key case, made from high-quality leather, is fixed to the key with a stylish metal clasp. It protects against scratches, dirt and moisture and protects buttons from accidental usage.

Available in Saddle Brown, Mocha and Black color options.

**DISPLAY KEY CASE.**



Product Code: 82292365436

The BMW Display Key shows various information about the vehicle's status and allows selected functions to be controlled with an integrated touch display.

**DOOR PROJECTOR**



Product Code: 63312468386

The innovative door projectors are automatically activated when the doors are opened. They project an image onto the ground next to the car using an interchangeable slide.

**WIRELESS CHARGER.**



Product Code: 84102466611

With the BMW Wireless Charging Station Universal smartphones can be charged comfortably and efficiently without a cable, any time and anywhere.

## WHEELS AND TYRES.



Product Code: 36108010268/69  
20inch 699M Light Alloy Wheel in Orbit Grey



Product Code: 36117916263  
19inch 887M Light Alloy Wheel in Midnight Grey



Product Code: 36116894843/5628  
19inch 842 Light Alloy Wheel in Jet Black

Disclaimer: \*Available Starting March 2022



## TECHNICAL VALUES.



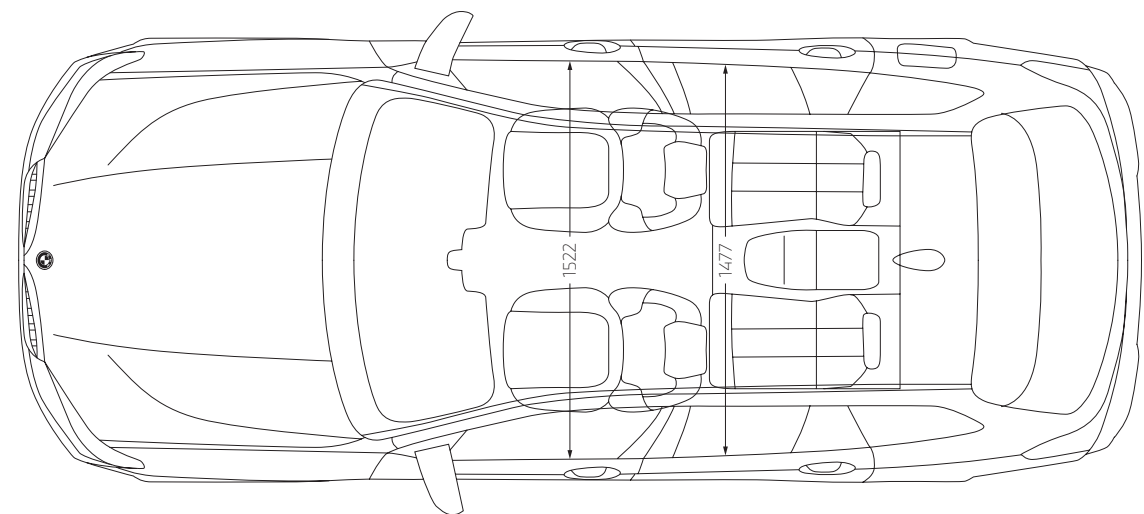
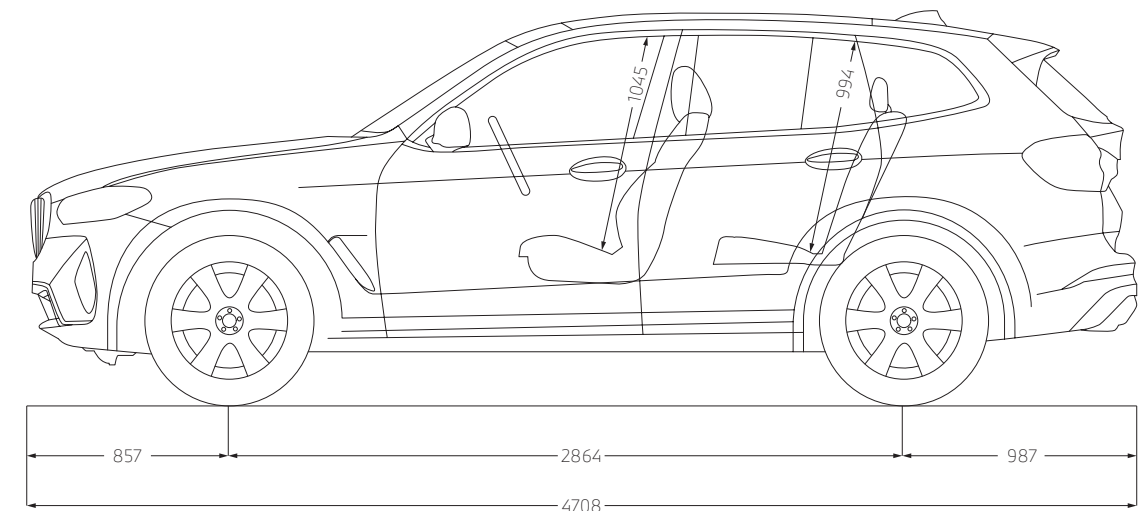
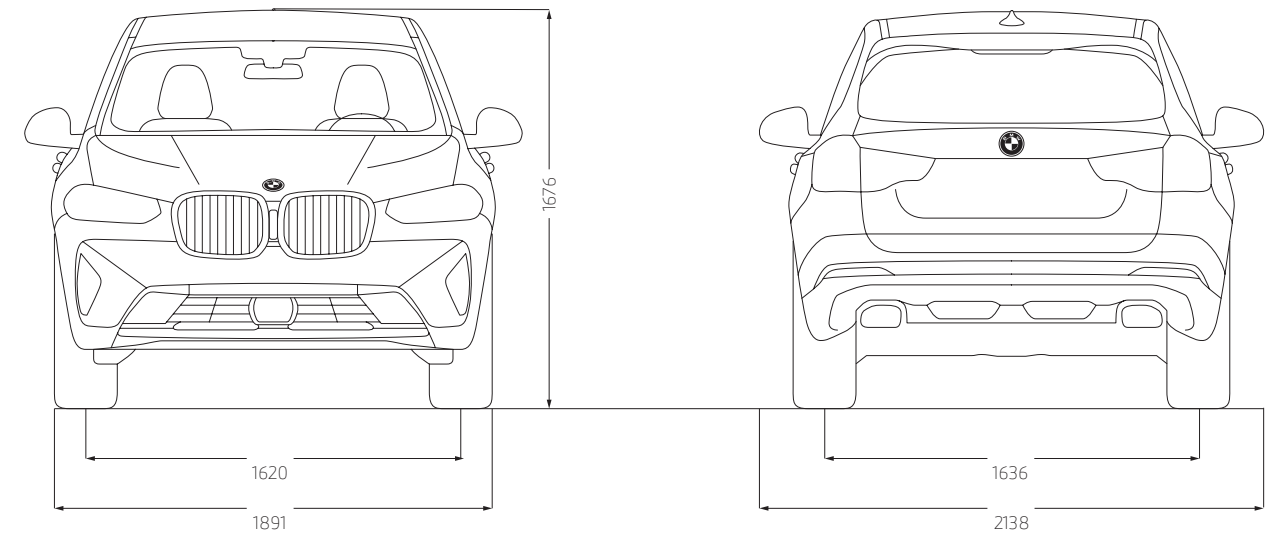
### BMW X3 xDrive30i

- BMW TwinPower Turbo four-cylinder petrol engine with 185kW (252hp) and 350Nm of torque
- Acceleration 0-100km/h: 6.6s
- Top speed: 240km/h
- Fuel economy km/l: 13.17
- CO<sub>2</sub> emissions g/km: 170

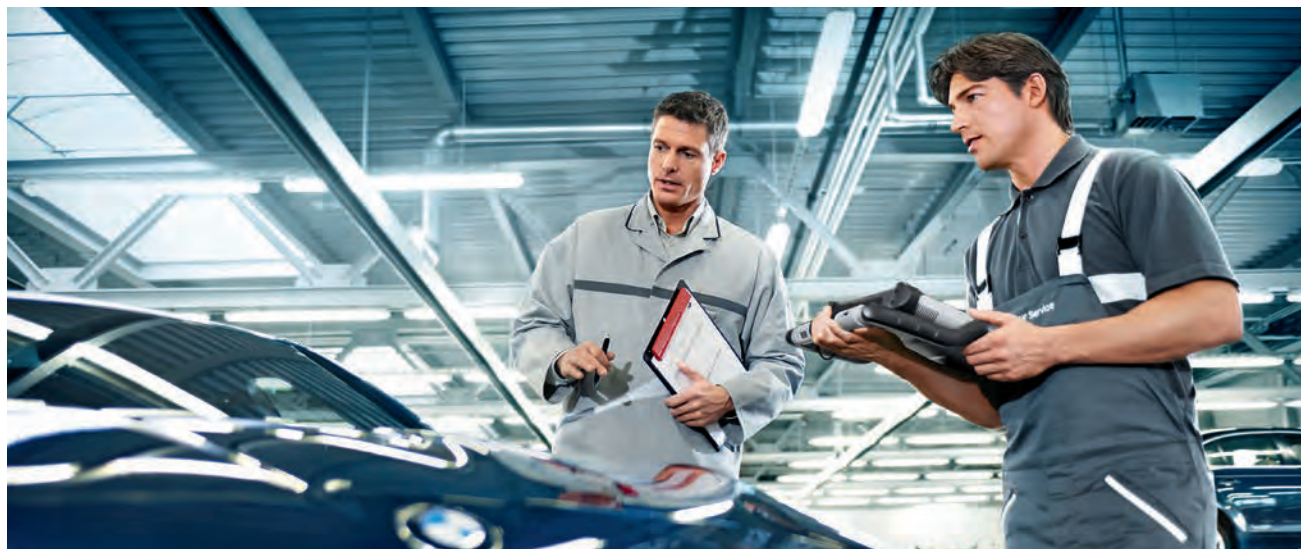
### BMW X3 xDrive20d

- BMW TwinPower Turbo four-cylinder diesel engine with 140kW (190hp) and 400Nm of torque
- Acceleration 0-100km/h: 8.0s
- Top speed: 213km/h
- Fuel economy km/l: 16.55
- CO<sub>2</sub> emissions g/km: 154

## TECHNICAL VALUES.



# BMW EXTENDED WARRANTY AND SERVICE PACKAGES.



A BMW X3 will run well when it's kept well. And to make your journey one with complete peace of mind, we have packages under BMW Service and Repair Inclusive that take care of maintenance, inspection, wear and tear and warranty.

## BMW Service Inclusive (BSI)

A single up-front payment covers an extensive range of work on your BMW X3 for a fixed period.

### Complete Cost Control.<sup>1</sup>

Integrate the cost of service work in your leasing and finance installments.

### Fully Flexible.

You have a choice of various packages with different durations and mileage. You can choose from 3 years with 40,000 km to 10 years with 2,00,000 km.

### Easily Transferable.

Consistent maintenance by trained BMW Certified Technicians and the use of Original BMW Parts secure the value of your car in the long term. In case you sell your car, BMW Service Inclusive is automatically transferred to the next owner – an additional selling point.

## BMW Repair Inclusive (BRI)

BRI offers the ease of extending the warranty of your car with unlimited mileage up to 5 years.

BRI too is automatically transferred to the next owner in the event of selling your car.

	Service Inclusive Packages	Service Inclusive Basic	Service Inclusive Plus	Repair Inclusive
		<b>Maintenance</b> All maintenance work, including any BMW Original Parts and oil required.	<b>Wear and Tear</b> Additional wear and tear repairs including any Original BMW Parts required.	<b>Repair</b> Extension of your statutory right to claim for vehicle defects (warranty).
<b>Maintenance</b>	Engine oil service	✓	✓	
	Engine oil top ups	✓	✓	
	Vehicle check and standard scopes	✓	✓	
	Service/replace air filter	✓	✓	
	Service/replace fuel filter	✓	✓	
	Service/replace micro filter	✓	✓	
	Service/replace spark plugs	✓	✓	
Service/replace brake fluid	✓	✓		
<b>Wear &amp; Tear</b>	Replacement of front/rear brake pads		✓	
	Replacement of front/rear brake discs		✓	
	Replacement of clutch (if necessary)		✓	
	Replacement of wiper blades (once in a year)		✓	
	Extension of your statutory right to claim for vehicle defects (warranty)			✓

# BMW FINANCIAL SERVICES.

**BMW Financial Services**  
Realize the dream.



In the world of BMW, world-class isn't limited to the vehicles we engineer. It also finds its way into the services we offer. BMW Financial Services is the most flexible and efficient way to realise your dream of owning a BMW. Our goal is to make your financing experience seamless at every step of your purchase so that nothing comes between you and the joy of driving your BMW.

At BMW Financial Services, you are assured of:

- Tailor-made finance options, as per your specific needs
- Quick approvals with fast turnaround time
- Special loyalty benefits
- Part payment facility
- In-house call centre that provides the best-in-class customer interaction

The BMW X3 comes with an exclusive BMW 360° Plan. It has benefits at every step of the way, all to ensure Sheer Driving Pleasure.

### Easy to Buy.

The BMW 360° Plan allows you to pay low monthly installments as you only pay for what you use.

### Easy to Own.

BMW offers various options under Service and Maintenance Packages which further reduce your cost of ownership.

### Future Proof.

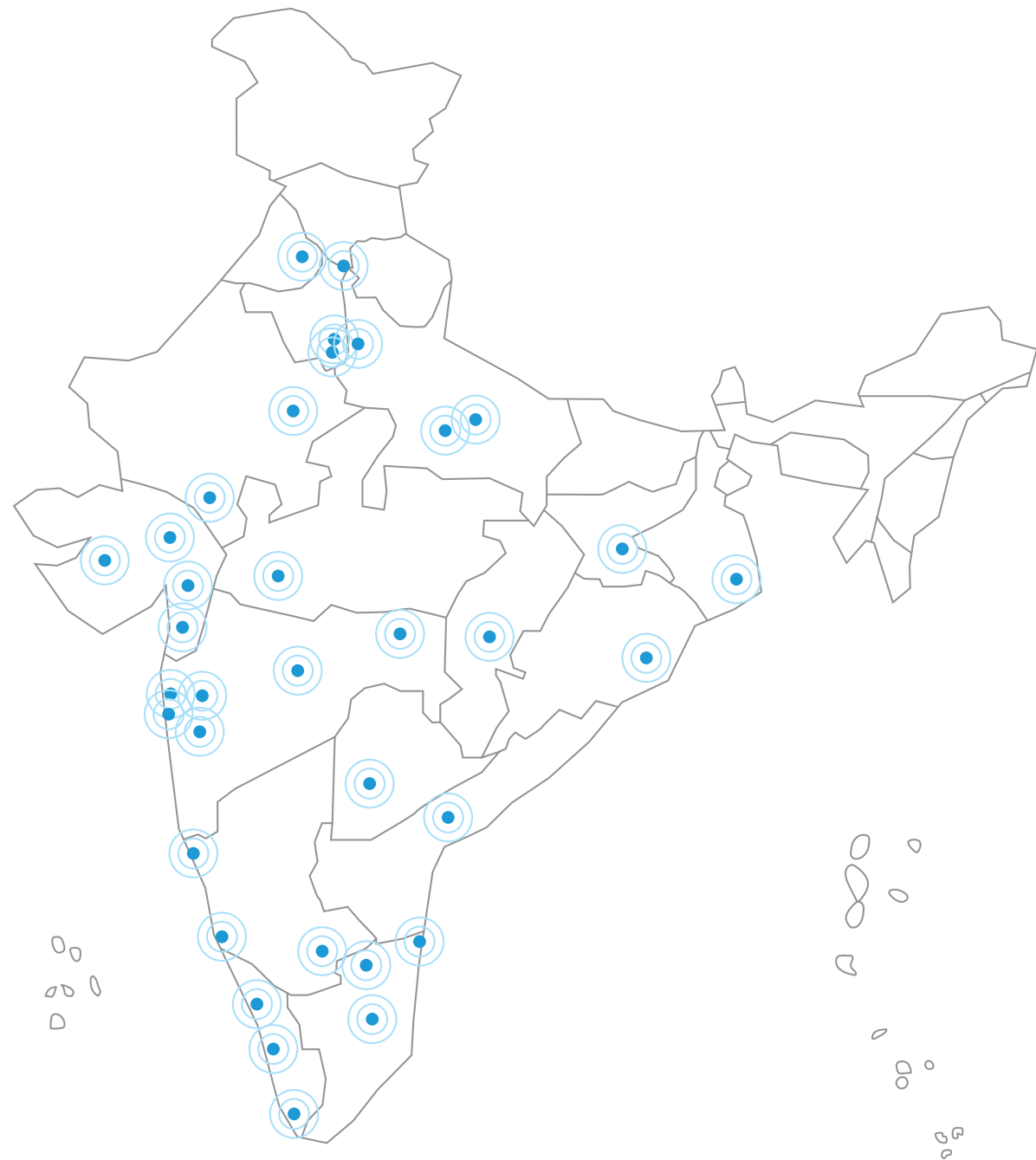
The BMW 360° Plan provides Assured Buyback value at the end of your finance contract.

For more information, contact the Finance and Insurance Manager at the nearest BMW Authorised Dealership.

<sup>1</sup> Applicable only with BMW India Financial Services Private Limited during the initial purchase of the vehicle (not on other finance or during upgrades).

# BMW INDIA NETWORK.

# DEALERSHIPS.



## NORTH

### BMW Bird Automotive

- SW 4IDC, MG Road, Gurugram
- S Golf Course Road, Sector 56 Gurugram

### BMW Deutsche Motoren

- S Mohan Cooperative, Mathura Road New Delhi
- W Shivaji Marg, Moti Nagar, New Delhi
- SW Sector 27B, Mathura Road, Faridabad
- SW Sector 63, Noida

### BMW Infinity Cars

- S Rajouri Garden, New Delhi
- W Mayapuri, New Delhi

### BMW Krishna Automobiles

- SW Industrial Phase 1, Chandigarh
- SW GT Road, Ludhiana

### BMW Sanghi Classic

- SW Tonk Road, Jaipur
- S Madri Industrial Area, Udaipur

### BMW Speed Motorwagen

- SW Chinhat, Lucknow
- SW Kalpi Road, Kanpur

## EAST

### BMW OSL Prestige

- S Silver Arcade, Kolkata
- W East Topsia Road, Kolkata
- SW Bhanpur, Cuttack

### BMW Titanium Autos

- SW Ormanjhi, Ranchi

## WEST

### BMW Bavaria Motors

- S Wellesley Road, Pune
- W Hadapsar, Pune
- SW Verna, Goa
- SW Chikalhana, Aurangabad

### BMW Eminent Cars

- SW Surat-Dumas Road, Piplod, Surat
- SW Sunpharma Road, Vadodara

### BMW Gallops Autohaus

- SW S G Highway, Sarkhej, Ahmedabad
- S Gondal Road, Rajkot

### BMW Infinity Cars

- S Worli, Mumbai
- S Nariman Point, Mumbai
- S Vashi, Navi Mumbai
- W Lalbaug, Mumbai
- W Worli, Mumbai
- W Turbhe, Navi Mumbai
- SW Dewas Naka, Indore

### BMW Munich Motors

- SW Sarona, Raipur
- SW Hingna MIDC, Nagpur

### BMW Navnit Motors

- S Juhu, Mumbai
- S Malad, Mumbai
- W Andheri, Mumbai
- W Gokul Nagar, Thane

## SOUTH

### BMW Deutsche Motoren

- S Whitefield, Bengaluru
- W Whitefield, Bengaluru

### BMW EVM Autokraft

- SW Kalamassery, Kochi
- S Kovalam Road, Trivandrum
- W Kochuveli, Trivandrum

### BMW KUN Exclusive

- S Khairtabad, Hyderabad
- S Jubilee Hill, Hyderabad
- W RTC, Cross Road, Hyderabad
- SW Mangalagiri, Vijayawada

### BMW KUN Exclusive

- SW Meenambakkam, Chennai
- S EA Mall, Chennai
- S Ambattur, Chennai
- S OMR, Chennai
- W Ambattur, Chennai
- SW Avinashi Road, Coimbatore
- SW Virudhunagar, Madurai

### BMW Varsha Autohaus

- SW Mangalore-Bangalore Highway, Mangalore

### BMW Navnit Motors

- S Lavelle Road, Bengaluru
- W Bethahalasoor Post, Bengaluru
- SW Hosur Road, Bengaluru

SW Showroom and Workshop S Showroom W Workshop

SEARCH



Scan to visit the BMW Online Shop

The pictorial representation does not purport to be the political map of India.



**For more information, call 1800 102 2269.**

The models, equipment and possible vehicle configurations illustrated in this brochure may differ from vehicles supplied in the Indian market. For precise information, please contact your local Authorised BMW Dealer. Subject to change in design and equipment. © BMW India Pvt. Ltd., Gurgaon, India. Not to be reproduced wholly or in part without written permission of BMW India Pvt. Ltd., Gurgaon, India.