

The Mercedes-Benz GLC. Strength from within.



Mercedes-Benz

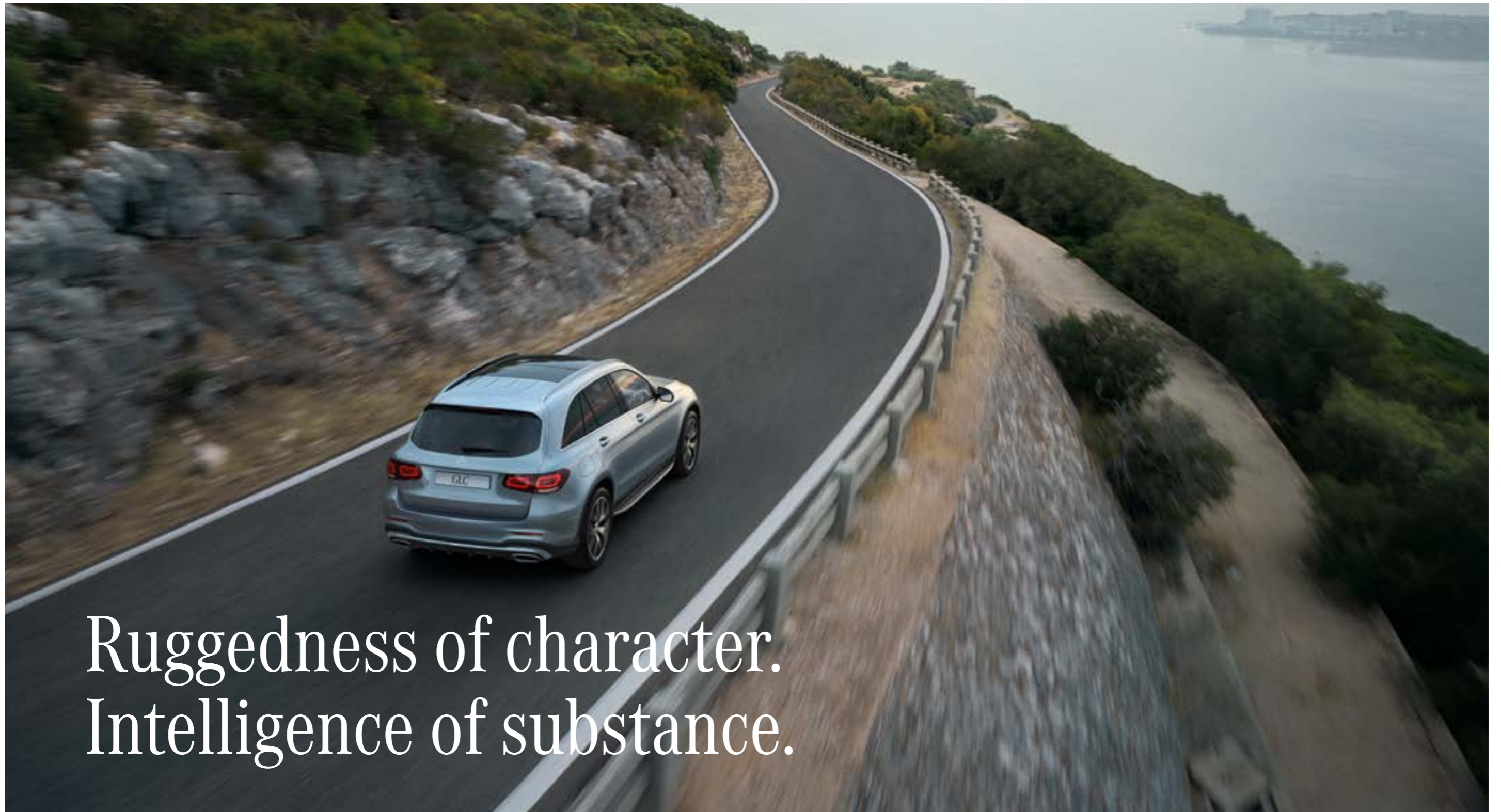




A strong character with new facets.



Treat your eyes to something special.



Ruggedness of character.
Intelligence of substance.



Commanding presence from a standing start.



Mercedes-Benz GLC

Engine



Petrol Engine - GLC 200

The ultra-modern petrol engine ensures spontaneous engine response and fast reaction to accelerator pedal movements. Efficiency measures include, intake CAMTRONIC, friction loss reduction package and improvements to NVH (noise, vibration, harshness). The NVH improvements include insulation of the engine block and extensive covering of the engine with an acoustic insert as well as further optimisation in relation to the injection hydraulics. To guarantee excellent exhaust emissions, use is made of tried-and-tested piezo injectors with good mixture preparation and a further-improved combustion chamber.

*Please read the disclaimer

Diesel Engine - GLC 220d 4MATIC

These 4-cylinder diesel engines of the latest generation give a lot but take little. This is thanks to their particularly light, compact design and minimal frictional losses. Significantly less noise and vibrations bring the level of refinement virtually to that of petrol engines. This stepped bowl combustion system reduces the thermal load on individual components. In addition, even better use is made of the air and the combustion speed is increased - this improves efficiency and reduces particulate emissions. The process gets its name from the shape of the combustion pocket in the piston.



9G-TRONIC

When you select the Comfort and ECO drive programs via DYNAMIC SELECT, the 9G-TRONIC shifts through the nine gears for you smoothly and efficiently, thus providing optimum ride comfort. In addition, the transmission is also truly sporty: at the press of a button you can experience fast, sporty gear changes while nevertheless frequently driving in the optimum engine speed range. As such you can enjoy even more driving pleasure in Sport mode as a result of correspondingly better performance. Performance remains excellent, while ride comfort is enhanced and noise levels are reduced. Smaller gear ratio increments and faster gear changes lead to even greater responsiveness and agility. At the same time, 9G-TRONIC impresses with smooth, barely perceptible gear shifting like that of a continuously variable transmission. As 9G-TRONIC is able to skip individual gears, multiple downshifts are possible for fast and powerful sprints.





Mercedes-Benz GLC

Design

OFF-ROAD Exterior

The OFF-ROAD exterior will definitely make the GLC stand out from the crowd.

Highlights include:

- Chrome details in the front
- 48.3-cm (19-inch) multi-twin-spoke light-alloy wheel
- The suspension with higher ground clearance
- The greater angle of approach of the front bumper



Aluminium-look running boards with rubber studs

The aluminium-look running boards are a true eye-catching feature. They are mounted on the side at the height of the side skirts, thus making it easier to get into the front as well as the rear. Slip-resistant rubber studs ensure a firm foothold.

LED High Performance headlamps

The LED High Performance headlamps provide more safety at night and an unmistakable, distinctive look. LED technology illuminates the road ahead better than conventional headlamps – and it uses less energy. The adaptive tail lamps featuring LED technology adjust their light intensity to the ambient conditions. The LED High Performance headlamps illuminate the road considerably more precisely and generously than conventional halogen or xenon headlamps thanks to state-of-the-art LED technology, with the greater light range, traffic situations and obstacles can be seen earlier, thus resulting in increased safety. The uniform warm-white light quality is close to the colour temperature of daylight. This puts less strain on your eyes and helps you to concentrate for longer and remain more relaxed. The all-LED tail lamps shine with their well-conceived function, as the light intensity of the brake light and direction indicators adjusts automatically to the light conditions. This has two advantages: on the one hand, your vehicle can be clearly seen by other road users in any situation - on the other, it ensures that other road users are not dazzled.





Panoramic Sunroof

Whether open or closed, with the panoramic sliding sunroof you experience a wonderful feeling of freedom and enjoy a pleasantly bright ambience in the interior. When viewed from the outside, the large sliding sunroof likewise makes a unique visual impression, as it lends lightness and exclusivity to the interior.

Mirror package

The Mirror package combines a number of useful functions for day-to-day driving: electrically folding exterior mirrors protect your vehicle from annoying damage when parking, the lowerable exterior mirror on the front passenger side makes parking easier and the self-dimming function protects your eyes.





EXCLUSIVE Interior

Design your EXCLUSIVE interior to suit your personal taste – there is a choice of two stylish colour concepts (silk beige and magma grey). Together with the fine open pore walnut wood trim elements an elegant contrast is created. They characterise the individualistic appearance of the interior and provide both a high level of comfort and outstanding support.

- Instrument cluster with 2 tube-shaped circular instruments, 13.97 cm (5.5-inch) multifunction display and surround in silver chrome with MBUX
- Seats with exclusive upholstery layout in ARTICO man-made leather
- 3-spoke multifunction sports steering wheel and two-piece bezel on the front in silver chrome
- Instrument panel and door beltlines in ARTICO man-made leather
- Air vents with outer adapter tubes in Nürburg silver, vent surround, rotary knob and front face of the louvres in silver chrome
- Door centre panels in ARTICO
- Black fabric roof liner and beige fabric roof liner



All-digital instrument cluster display

The fully digital instrument display with the display styles “Classic”, “Progressive” and “Sporty” enables you to decide which information is important to you and in which way you wish to have it displayed. The 31.2 cm (12.3-inch) display delivers a pin-sharp image which is very easy to read in all lighting conditions.

Burmester® surround sound system

Experience more performance and exclusivity thanks to the legendary Burmester sound. The high-performance speakers develop a first-class surround sound. You can optimize this specifically for the front and rear seats and intensify the listening experience. A quality that you can also see thanks to the high-quality Burmester lettering.



Ambient Lighting in 64 colours

Showcase the interior according to your personal preferences or current mood. With a total of 64 colours, the ambient lighting gives you almost unlimited scope for lighting schemes, and has the right colour available for any situation.



Massage Seats, front

Individually adjustable air chambers adapt themselves like a tailor-made suit. You can adjust the backrest bolsters so that they are particularly firm, this improves lateral support for sporty driving maneuvers. Chambers which inflate and deflate alternately in turn create a massage effect in the lumbar area.



Keyless Start

All of the drive authorisation functions are stored on your electronic vehicle key. Your engine starts as soon as you press the turbine-look start/stop button positioned in the ignition area while holding down the brake pedal. And it is just as easy for you to switch the engine off again. In hot weather you can quickly ventilate the vehicle thanks to the convenience opening and closing function – and in the rain also just as quickly ensure that the windows are fully closed. This is because you can control all of the windows via your vehicle key with just a press of a button: to open them simply hold down the unlock button, and to close them in turn hold down the lock button.

*Please read the disclaimer

Wireless Charging

No wires. No worries. Just a fully charged battery. You can now charge your compatible smartphone conveniently and wirelessly in the new GLC. Simply place it in the centre console's stowage area. The multimedia system recognizes your mobile phone automatically, and charging starts. The system recognizes all compatible devices, irrespective of model and brand.





Touchpad with haptic feedback

Using the touchpad, you can operate the display of the infotainment system as you would a smartphone.

Shift or enlarge the content quite simply with single gestures. Each input is confirmed with haptic feedback. The touchpad recognises your handwriting should you wish to enter addresses or phone numbers. Furthermore, additional controls are positioned around the touch-sensitive surface. This way you have direct access to key functions at any time.

THERMATIC automatic climate control

Individual climate comfort in the front seats comes courtesy of the THERMATIC automatic climate control with 2 climate zones: the driver and front passenger can set the temperature separately for each side. This is maintained at a constant level thanks to automatic climate control and a sensitive sensor system – completely without any need for manual adjustment. The desired climate can be achieved quickly thanks to the convenient and intuitive temperature and ventilation control – and always remains at the selected level even during changing weather conditions and varying levels of sunlight. Especially for the driver, the constantly balanced interior climate has a positive effect on concentration and fitness.



Illuminated door sill panels with “Mercedes-Benz” lettering

Even getting in and out becomes an experience in itself. As part of this, the high-quality stainless steel sill panels are illuminated with striking “Mercedes-Benz” lettering. This shows that you value modern luxury.



2 USB ports in the rear

Using the two USB Type C ports in the rear, your passengers can charge mobile devices while on the move and therefore use them for longer. As such there is always sufficient battery charge available even on longer journeys, for example for watching films or browsing the internet on such devices.



Roller Sunblinds in rear

The manual pull-out roller sunblinds protect against direct, bright sunlight in summer and when the sun is low in the sky. As a result your rear passengers are not dazzled and the interior heats up less. It still remains possible to see out of the rear windows – for a pleasant and eventful journey.

Hard-disc Navigation

Save time through fast hard disk navigation with flexible inputs via touch control or voice input. In this connection, the 3D displays of points of interest, for example, are also a visual delight. The intelligent system guides you reliably to your destination using both local and the most recent online data.



Velour floor mats

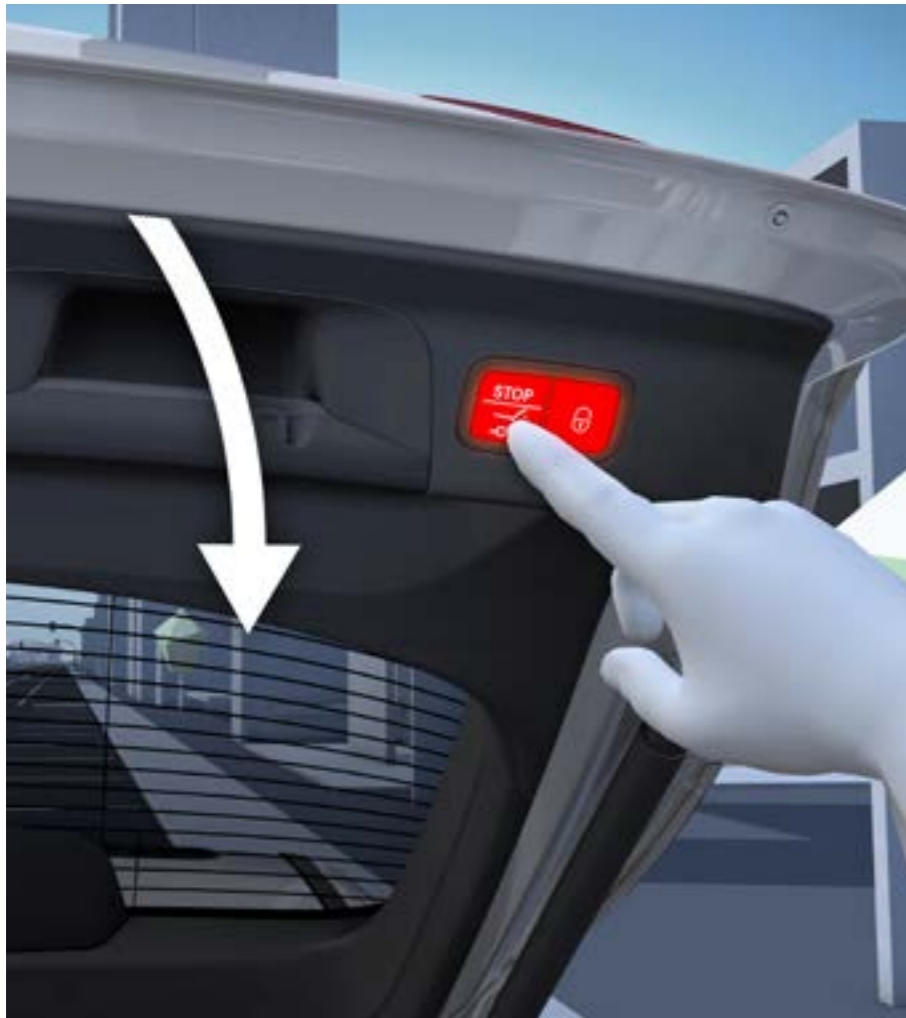
The velour floor mats additionally enhance your interior. They are finished in the respective appointments colour and edged. As such they blend into the interior design perfectly. In addition the mats protect the footwell against dirt – they can be removed easily to be vacuumed or cleaned.



Stowage space package

The Stowage Space package has numerous stowage and securing facilities for the interior and load compartment. Useful stowage spaces ensure that everything has its place. Small and large items of luggage can be optimally secured in place.

- Map pockets on the back of the front seats
- Net on the load compartment floor
- Collapsible crate
- 12 V socket in load compartment on left
- Cargo rail to expand the luggage compartment capacity by 30 l
- Two USB-C ports in the rear



EASY-PACK tailgate

The kneebag protects your legs from contact with the steering column or the dashboard in a severe frontal crash. This can prevent or lessen the severity of injuries. The air cushion inflates in milliseconds and stabilises the whole body. This ensures that the entire restraint system including the seat belt work together optimally.



EASY-PACK load compartment cover

Your rapid temporary measure in the event of less significant tyre damage. Damage caused by driving over nails or glass fragments can be sealed by means of the sealant blown in via the air compressor. As a result you can continue to drive to the nearest workshop at up to 80 km/h.



KEYLESS-GO comfort package

Maximum convenience for your everyday automotive life: With the KEYLESS-GO comfort package, you can start and lock your vehicle by simply carrying your key with you. The HANDS-FREE ACCESS function enables contactless and fully automatic opening and closing of the boot lid.



Mercedes-Benz GLC

Technology



MBUX touch control concept

So absorbing that it's hard to leave alone. The sophisticated MBUX touch control concept lets you determine exactly what it shows you and how you control it. As intuitively as on a smartphone. Either with the new touchpad with haptic feedback, or by using the Touch Control buttons on the new steering wheel, or on the touchscreen. The choice is yours.

MBUX voice control

It's always best to talk. The MBUX (Mercedes-Benz User Experience) infotainment system with intuitive voice control is optionally available for the new GLC. It understands what you say and obeys your commands using natural speech recognition. It takes only two words: "Hey Mercedes." And the new GLC is all ears.



Media Display

The high-resolution media display with touch control plays your multimedia content in razor-sharp quality and with brilliant images. The design of the large display with its extensive glazing will also impress you. The display reacts directly to your touch inputs, as with your smartphone or tablet.

- 26 cm (10.25-inch) screen diagonal
- Resolution of 1920 x 720 pixels



Smartphone integration

Fully contactless operation of your smartphone is possible in the new GLC. Once it is connected via Bluetooth, NFC or USB cable, your numerous apps and functions appear on the media display, where you can control them conveniently using voice commands or touch controls.



Mercedes me connect allows drivers to stay in touch with their vehicles from anywhere in the world and to obtain assistance at the touch of a button.

Mercedes me

Vehicle Monitoring

Vehicle Tracker: Track your vehicle from anywhere, as your vehicle's GPS coordinates are seen on your phone App.

Parked Vehicle Locator: It can locate your parked vehicle within a radius of 1.5 kilometres and show you on a map how to make your way back to the vehicle.

Vehicle Set-Up

Remote Retrieval of Vehicle Status: Information on Mercedes me App or the Mercedes me Portal.

Remote Door Locking and Unlocking: You can conveniently remotely lock or unlock your vehicle from the Mercedes me App.

Speed Alert: Receive an alert if your vehicle exceeds a certain speed.

Send2Car function: Send your address to your vehicle via an app.

Remote Engine Start

Navigation Connectivity package

The combination of the standard-fit communication module (LTE) and the hard-disc navigation makes sure that you always reach your destination as quickly as possible by the best route.

Mercedes-Benz emergency call system

The Mercedes-Benz emergency call system can save you vital minutes in an emergency. If an accident is detected, a communications module with its own SIM card automatically triggers an emergency call which could shorten the time until rescue services arrive.

Please note that certain services are offered free of cost for a period of three (03) years and may be chargeable at the expiry of three (03) years from the date of activation of such services. If you wish to continue using those services, you may renew the same through Mercedes Me Store (as and when it is available). Please get in touch with your preferred Franchise Partner for more details.

Mercedes *me*

Vehicle Finder (enables horn and light flashing)

Find your vehicle in large parking lots with ease. Simply blow the horn or flash the headlamps through the app to locate your vehicle

Mercedes me Service app: Your digital assistant

Keep a tab on your Star's maintenance with ease. Get timely maintenance and service reminders. Book a service appointment and search for nearest showrooms with a single touch.

What's more, access expert tips to keep your Star in its best shape with car care videos.

Geo-fencing

Set a perimeter for the car movement and receive notifications in case of vehicle movement beyond the parameter. Hence the feature enables easy monitoring when vehicle is being driven by others.

Windows/sunroof open close from App

Open/Close the windows and sunroof of your Mercedes-Benz remotely through the app. This enables better ventilation before you get into the car.



Mercedes me

Additional Mercedes me connect features

Alexa Home Integration with Mercedes me

connect: Conversations with Alexa are now more fun when the systems connect with your Mercedes Benz via cloud and give you real time updates. This feature can be used from an Alexa Echo device setup at home, office or also from phone's Alexa App. The command starts with "Alexa, Ask Mercedes to..." or directly initiate a command by saying "Alexa, tell Mercedes to <command>".

Google Home integration with Mercedes me connect: Google Home integration is also offered for Google home users. In a similar way, once the Mercedes me connect is linked to Google Home, you can start issuing commands.

Parking location POIs (Points of Interest): The introduction of new Parking solution, shows Parking lots available across different parts of the cities. The Parking POIs (Points of interest) can be seen easily on the navigation system or alternatively also on the Mercedes me App maps section.

Please note that certain services are offered free of cost for a period of three (03) years and may be chargeable at the expiry of three (03) years from the date of activation of such services. If you wish to continue using those services, you may renew the same through Mercedes Me Store (as and when it is available). Please get in touch with your preferred Franchise Partner for more details.

*Please read the disclaimer





Mercedes-Benz GLC

Safety

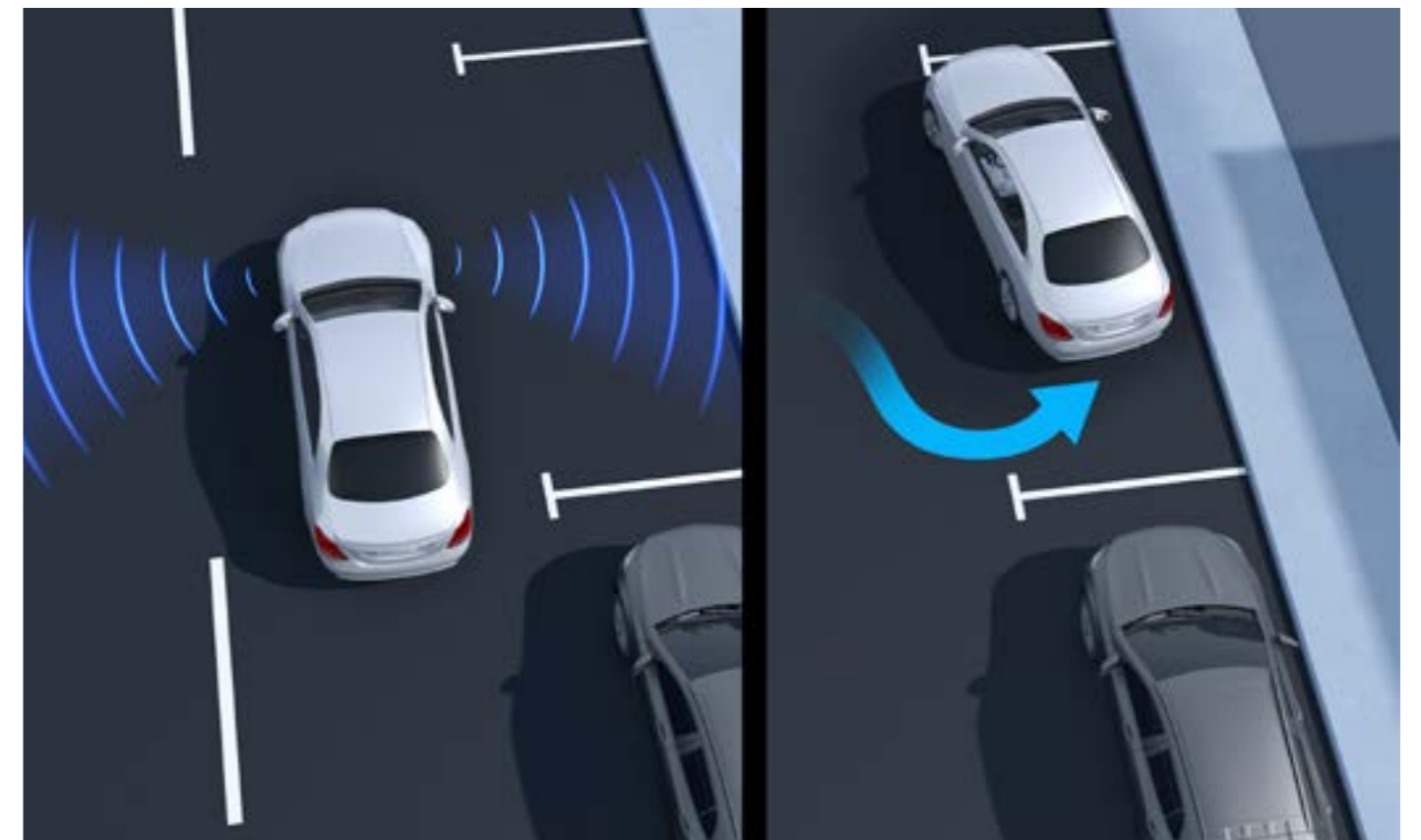
Cruise control

Enjoy relaxed, fuel-efficient motoring on longer journeys in particular. For this you can preselect your desired speed and your vehicle takes over control of the speed. In addition to the travelling speed, the limiter helps you to observe a maximum speed. This enhances road safety and prevents you from incurring expensive speeding tickets.



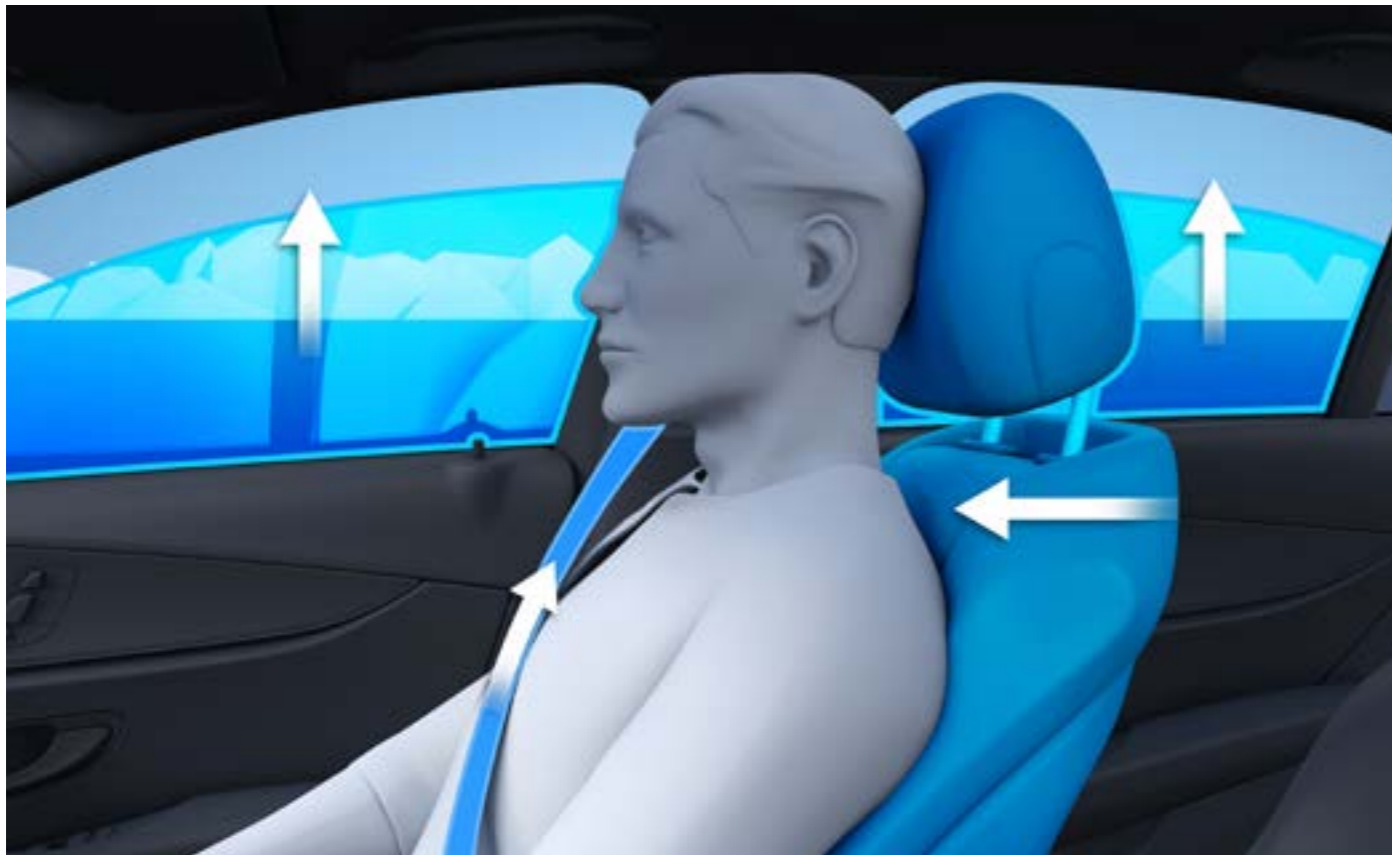
Parking Package with 360-degree camera

Manoeuvre effortlessly, park precisely: With the 360° camera you have a view of every angle around your vehicle and you can master even narrower or angled parking spaces. Clearly understandable visual and audible warnings help you to avoid damage when parking and manoeuvring. Together with the practical guide lines, you have a better estimation on the path, width of the vehicle and distances to detected objects.



Active Parking Assist with PARKTRONIC

Turn the stress of tight parking spaces into effortless calm. Active Parking Assist with PARKTRONIC is not only able to find parking spaces – it also helps you to enter and leave them. As part of this it helps you with steering, and on vehicles with automatic transmission also with accelerating, braking and changing gear.



PRE-SAFE® system

With PRE-SAFE® the front seat belts can be electrically pretensioned in hazardous situations. As a result, the forward displacement of the occupants during braking or skidding can be reduced in an impending accident. In certain situations, the side windows or panoramic roof close automatically. In addition, the front passenger seat can be moved into a more favourable position in the event of a crash. In conclusion, the components of the PRE-SAFE® system can significantly reduce the risk of injury. For PRE-SAFE® Sound, a special sound chip generates a hissing noise through the speakers in the event of an imminent hazardous situation. In many cases the noise triggers a natural protective reflex: the tiny stapedius muscle in the ear briefly contracts and dampens the connection between the eardrum and inner ear. This way your hearing is better prepared for the loads resulting from noise generation in an accident.

*Please read the disclaimer

Wind Screen Wipers with Rain Sensors

The electronically controlled rain sensor thinks for you: The system automatically detects when the windscreen is wet and controls the windscreen wiper interval accordingly – provided this has been activated beforehand. As a result, as a driver you have one less task to worry about when it's raining and can enjoy clear visibility.





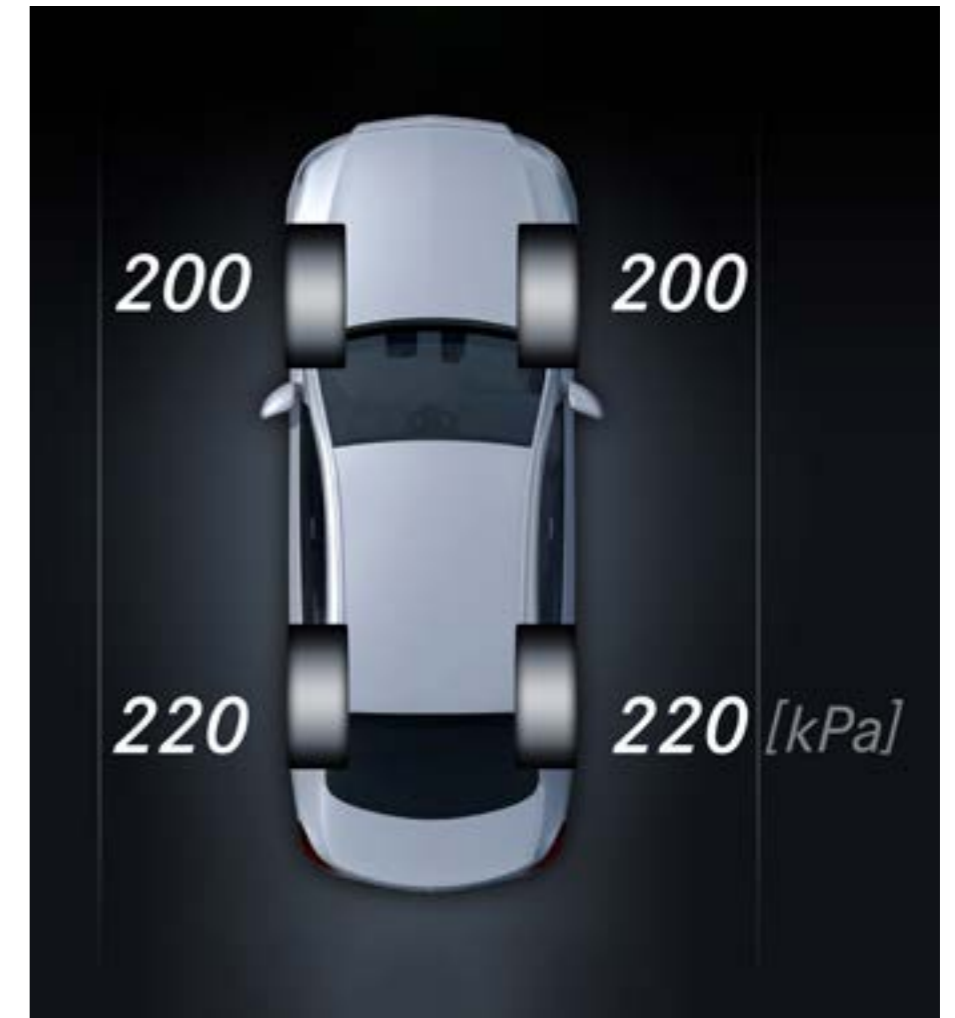
Kneebag

The kneebag protects your legs from contact with the steering column or the dashboard in a severe frontal crash. This can prevent or lessen the severity of injuries. The air cushion inflates in milliseconds and stabilises the whole body. This ensures that the entire restraint system including the seat belt work together optimally.



TIREFIT

Your rapid temporary measure in the event of less significant tyre damage. Damage caused by driving over nails or glass fragments can be sealed by means of the sealant blown in via the air compressor. As a result you can continue to drive to the nearest workshop at up to 80 km/h.



Tyre pressure monitoring system

The system monitors the tyre pressure for you and provides you with a warning in the event of a drop in pressure. This way you can react more quickly to these hazardous situations. Too low a tyre pressure can also result in longer stopping distances. When the control systems notifies you, you should top up the air quickly. Correct tyre pressure additionally increases mileage.



Emergency spare wheel

The narrow emergency wheel is lightweight and makes changing a tyre in the event of a breakdown simple. This enables you to reach the next service station even in the event of more significant tyre damage which it may not be possible to repair with TIREFIT tyre sealant.

Paintwork

Polar White



Spectral Blue



Mojave Silver



Hi-Tech Silver



Paintwork

Obsidian Black



Cavansite Blue



Hyacinth Red



Upholstery



Beige

(Available with Polar White, Spectral Blue, Mojave Silver, Obsidian Black, Cavansite Blue, Hyacinth Red)



Magma Grey

(Available with Hi-Tech Silver)

Trim



Open-pore black ash wood trim

Alloy

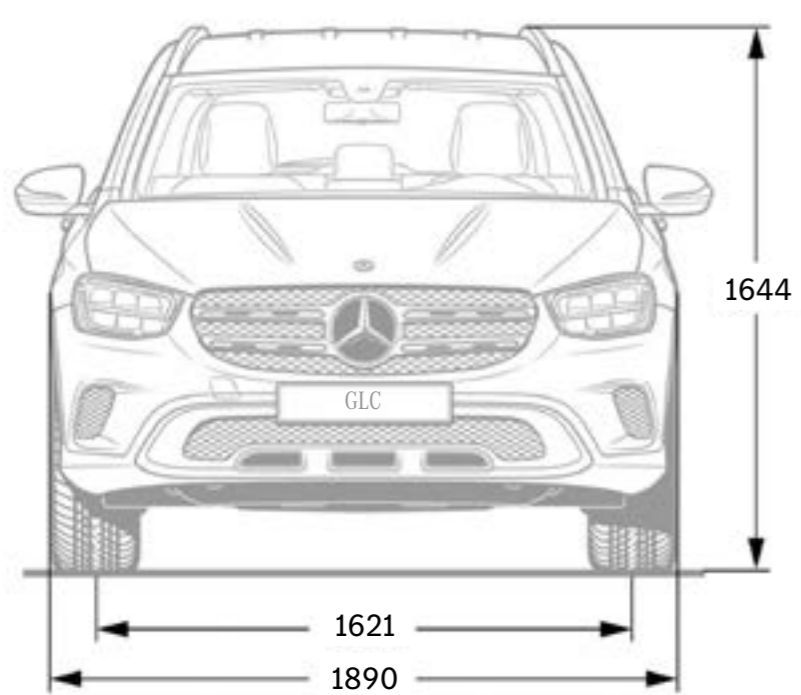


48.3 cm (19-inch) aerodynamically optimised light-alloy wheels, painted in high-gloss black and with a high-shine finish

Technical Data

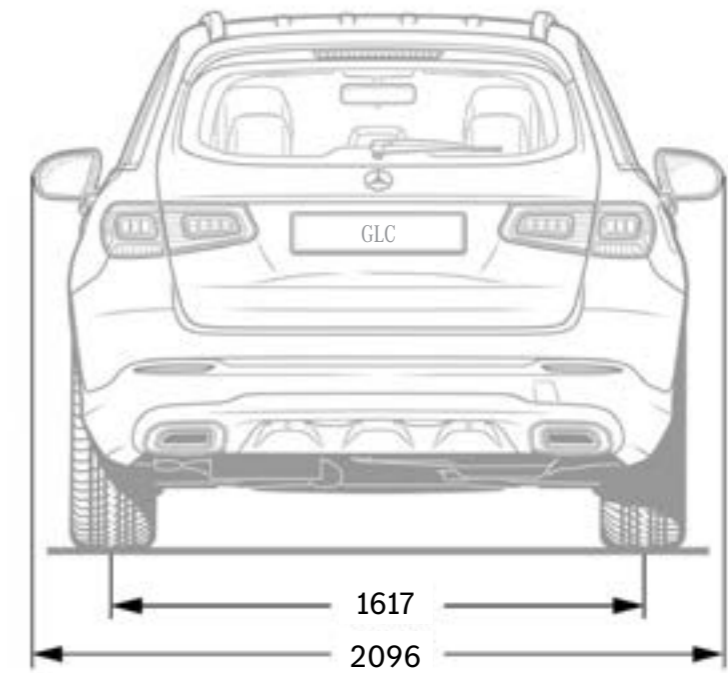
	GLC 200	GLC 220d 4MATIC
Total displacement/ No./arrangement of cylinders	1991 cc/L4	1950 cc/L4
Rated output in kW (HP) @ rpm	145 (197) @ 5500 - 6100	143 (194) @ 3800
Rated torque (Nm @ rpm)	320 @ 1650 - 4000	400 @ 1600 - 2800
Transmission	9G-TRONIC	9G-TRONIC
Acceleration from 0 - 100 km/h (sec)	7.8	7.9
Top speed approx (km/h)	217	215
Maximum gross weight (kg)	2360	2500
Fuel Tank Capacity (l)	66	66
L x W x H (mm)	4658 x 1890 x 1644	4658 x 1890 x 1644

Dimensions

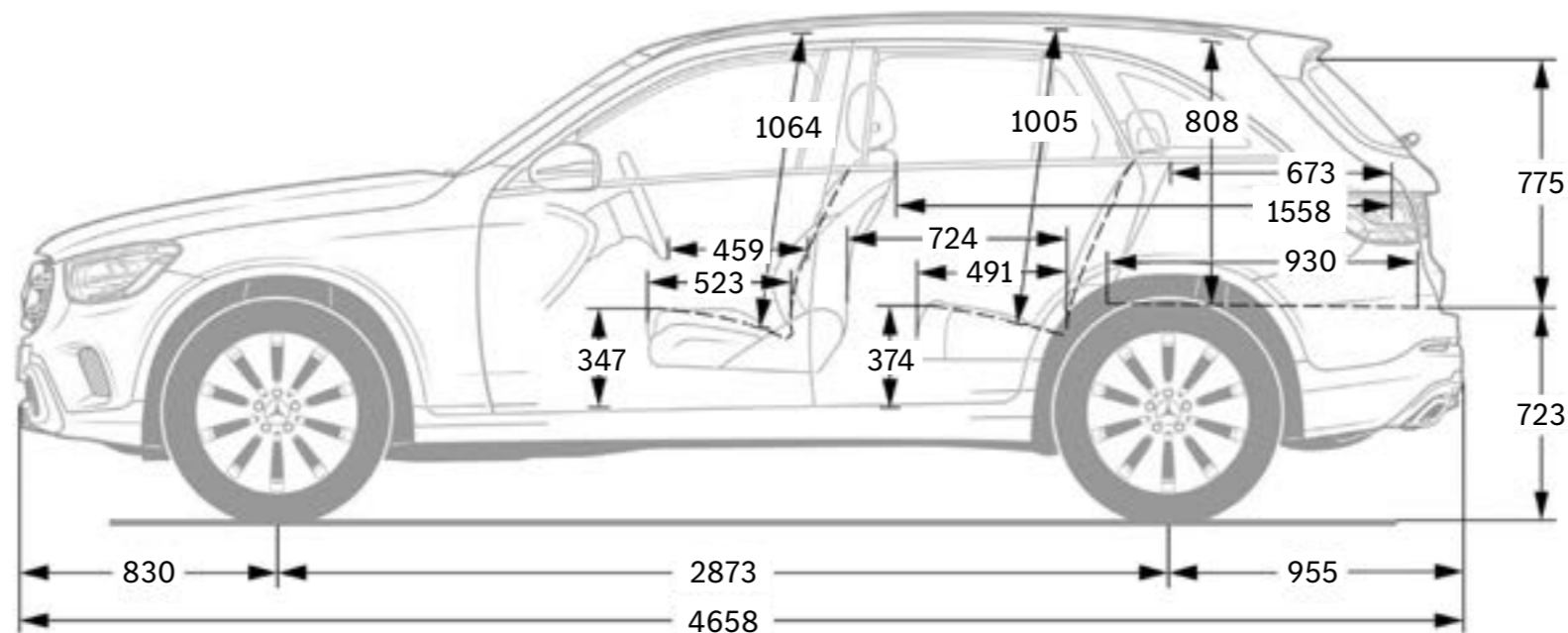


Front

Rear



Side





My Mercedes. My Service

Advance Assurance Program

Extending your warranty coverage

With Advance Assurance Program, experience complete peace of mind. While this Extended Warranty Program kicks in the moment your standard 3 years warranty comes to an end, it can be extended further up to 6 years at a nominal price. Also, it comes with a bouquet of privileges for a worry-free time with your Star.

STAR EASE

Delivering the best-in-class value

Servicing your Star does not get any better than this. With the STAR Ease Maintenance Packages, pay a defined cost of maintenance based on the model, contract period and mileage and say goodbye to spending on service every time. Plus, enjoy exclusive features like priority handling, shorter waiting time and quicker processes.

My Mercedes. My Service

MOBILO

Providing you 24x7 mobility support

Your vehicle comes with Mobilo which provides round-the-clock on-road assistance service. Mobilo comes as a standard for 3 years and can be extended further up to 8 years at a nominal cost. This service offers privileges like vehicle towing facility, replacement vehicle, hotel accommodation, just to name a few.

Digital Service Drive

Ensuring convenience and transparency of service.

Servicing your Star is the last thing you will ever have to worry about. We provide transparent, convenient and hassle-free service. Our customer-friendly service features work around your busy schedule so that you have one less thing to focus upon.





My Mercedes. My Service

Mercedes-Benz Genuine Parts

Now with 2 years* of warranty

Mercedes-Benz Genuine Parts are crafted to the state-of-the-art standards of Mercedes-Benz, protecting your vehicle's performance while maintaining the style, comfort and safety, for the years to come. Also, they come with a warranty of up to 2 years, ensuring you a peaceful ownership experience with your Star.

Premier Express*

Because we value your time as much as you do.

Life gets busy and so we have designed Premier Express, our vehicle care service to help you get in and out quickly. While the visit will be brief, the service offered by our technicians will be comprehensive and complete. All to ensure your Mercedes-Benz is running for miles to come.

My Mercedes. My Service

Mercedes-Benz Approved Tyres and Rims

Ensuring every ride is a safe and joyful one

Maximise the safety and comfort of your Star with Mercedes-Benz approved tyres and rims. While the Mercedes-Benz approved tyres are designed to optimally match your car's performance, the Mercedes-Benz approved rims are designed to lend an exceptional style to the exterior of your Star and are also engineered for optimal performance.

Mercedes-Benz Genuine Chemical Products

Because your Star deserves nothing but the original

Mercedes-Benz Genuine Chemical Products are specially tested for compatibility with the materials in our cars and meet the high quality standards. Also, our products have been approved under Mercedes-Benz Group AG's strict, self-imposed environmental norms. Now with Mercedes-Benz Genuine Chemical Products, experience a whole new world of superior products that support throughout the car's life cycle.





Mercedes-Benz India Private Limited: E-3, MIDC Chakan - Phase III, Chakan Industrial Area, Kuruli & Nighoje, Tal: Khed, Pune - 410 501 (India) Toll free No.: 0008000501888. e-mail: cs.ind@cac.mercedes-benz.com, website: www.mercedes-benz.co.in Please note: This brochure is intended for general information, description and illustration of the Product including optional functions and equipment and may not be specific to a Product since specification of a product may change from time to time. Optional features, functions and equipment etc. may not be present in the Standard or Variant Product or Special Edition Product. Further, Standard specifications of a product may also vary from time to time. Colours may differ from those shown in pictures in the brochure. Mercedes-Benz India reserves the right to make changes without prior notice, in design, colours, materials, components, equipment, specifications, features, functions, make and models etc. The information given in this brochure shall be regarded as accurate at the time of launch and may vary thereafter due to any developments or any other reason. Interested customers should reach out to the Authorised Franchise Partner for further information on the exact specifications, features of the product.

Images shown are for representation purposes only. Some of the vehicles in the Brochure are left hand drive wheel. However, Mercedes-Benz India only manufactures and sells vehicles as per the applicable motor vehicle regulations in India. All vehicles sold by Mercedes-Benz Authorized Franchise Partners shall be with right hand drive wheels only. All title, ownership rights and intellectual property rights in and relating to this brochure/magazine or publication material or any copies thereof including but not limited to copyright, logos, names, trademarks, service marks, design, text, images, links, concepts and themes are owned by Mercedes-Benz Group AG and/or its subsidiaries collectively or used under authorised license by the Mercedes-Benz Group AG. Any reproduction, transmission, publication, performance, broadcast, alteration, license, creation of derivative works or other use in whole or in part in any manner without the prior written consent of Mercedes-Benz India Pvt. Ltd is strictly prohibited. Please note that certain services are offered free of cost for a period of three (03) years and may be chargeable at the expiry of three (03) years from the date of activation of such services. If you wish to continue using those services, you may renew the same through Mercedes Me Store (as and when it is available). Please get in touch with your preferred Franchise Partner for more details. Mercedes-Benz cars: The GLC meets Bharat Stage VI equivalent emission norms.
CIN - U34102PN1994PTC083160