

The Mercedes-Benz EQB.



EQB





Sustainability

*Please read the disclaimer

Sustainable Production

Mercedes-Benz Kecskemet plant

All of our Mercedes-Benz cars factories around the world plan to be CO₂ neutral. The EQB is built at the Mercedes-Benz Kecskemet plant in Hungary.



Sustainable Materials

Raw materials from certified mining

Mercedes-Benz looks at the entire value chain, from development and the supplier network to its own production. Responsibly mined and processed raw materials provide the foundation for a sustainable Mercedes-Benz electric vehicle fleet.

Sustainable Mobility

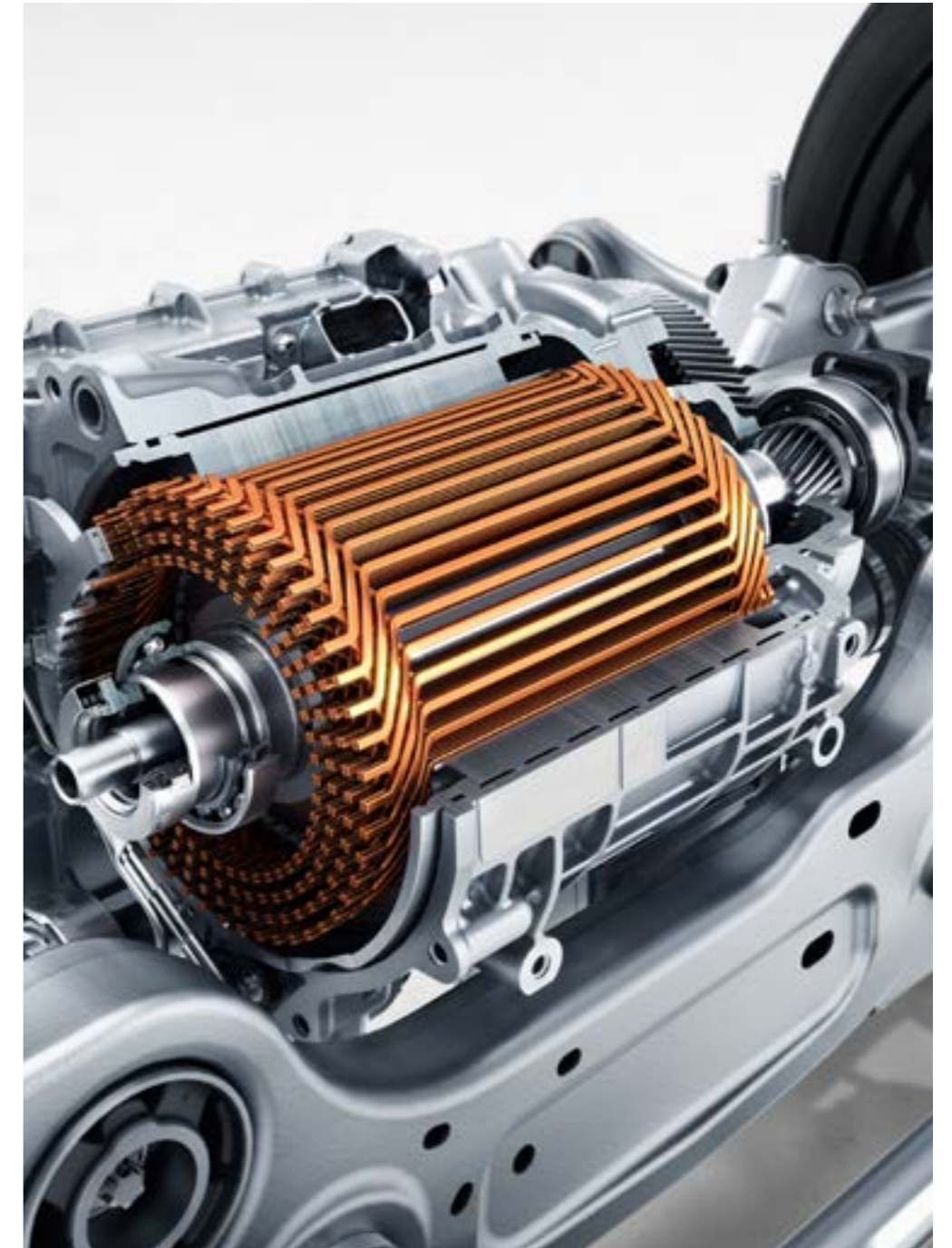
Pure Electric with pure emotions

Locally emission-free driving pleasure, virtually silent with full access to inner city zones.





E-Motor & Battery



Dynamic acceleration and efficient cruising with the two electric machines of the electric drive system you can achieve both. The 4MATIC with torque shift distributes the torque as required and steplessly to the front and rear axle depending on the driving situation and road conditions. When you are not demanding any drive power from the electric machines, they can convert kinetic energy into electrical energy - for example when braking and use it to charge the high-voltage battery.



Design

*Please read the disclaimer



AMG Line (EQB 350 4MATIC)

Upto 447 km range*

5 Seater

AMG Line Interiors with Leather Package

AMG Line Exteriors

Black Panel grill with chrome plated star pattern

MBUX Generation 2

Distronic with Active Distance Assist

Leather Black Upholstery

48.3 cm (19-inch) AMG 10-spoke light-alloy wheels

Sports seats with heating function

Adjustable 2nd row seats

Burmester® surround sound system with 12 speakers and 710 watt power output is compatible with Dolby Atmos enabled music



Electric Art Line (EQB 250+)

Upto 535 km range*

7 Seater

Electric Art Interiors

Electric Art Exteriors

7 Airbags

MBUX Interior Assistant with Gesture control

THERMOTRONIC dual zone automatic climate control

ARTICO man-made leather / Cupertino fabric,
two-tone rosé gold / titanium grey pearl

Multifunction sports steering wheel in nappa leather

48.3 cm (19-inch) AMG 10-spoke light-alloy wheels

Comfort Seats

3rd row of seats for 2 people

Roof Liner in black fabric





Technology

*Please read the disclaimer



Wireless charging system for mobile devices in the front

4-way lumbar support for an ergonomic seating position and relaxed back muscles

HANDS FREE ACCESS for rear tailgate

The world of Mercedes me offers numerous services for your electric driving convenience. The navigation and Active Range Monitoring give you certainty with respect to range – including necessary charging stops.

With Preinstallation for Navigation Services your vehicle answers your questions about your journey like you can find out about the number of currently available parking spaces or the current weather. Hence making your trip even easier.

Preinstallation for Live Traffic Information helps you receive traffic information in real time which is more precise and up-to-date than conventional systems and optimises dynamic route guidance.

This combination of Mercedes me connect services and hard-disc navigation allows you always to find the best route while ensuring that you are ideally informed at all times.





Enjoy the beauty and intelligence of a digitised multimedia system with MBUX multimedia system.

Extended MBUX functions like personal profiles, predictive functions completely redefine the term digital networking.

Experience the entire range of digital display possibilities with all-digital instrument display.

Smartphone integration links the mobile phone with the media system via Apple® CarPlay® or Android Auto®. This gives you convenient access to the most important apps on your smartphone.

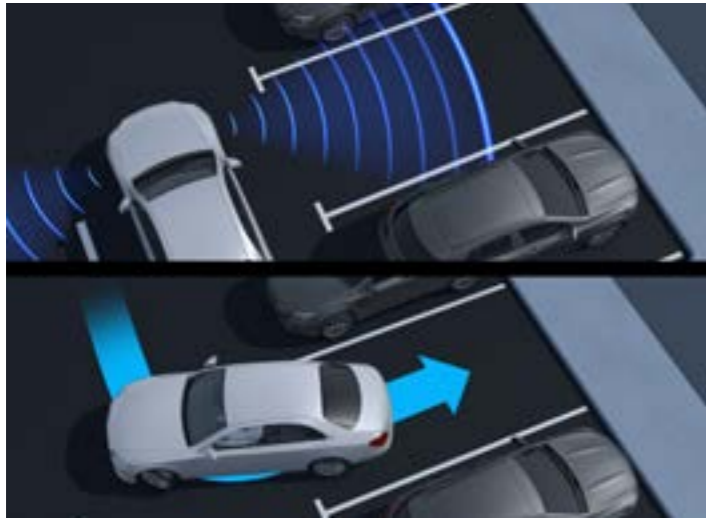
Save time, thanks to fast Hard Disk Navigation with flexible options for entries via touch control or voice input.





Safety

*Please read the disclaimer

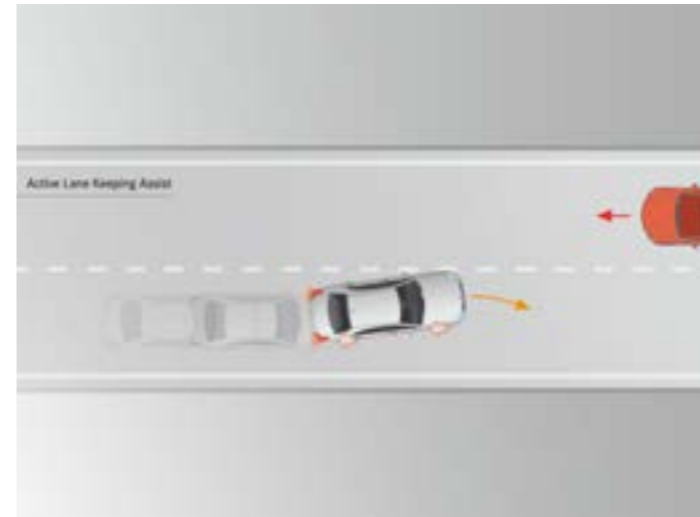


Active Parking Assist with PARKTRONIC makes parking smooth and effortless the system can detect suitable available parking spaces and assists with driving forwards and backwards into end-on parking spaces by taking over the steering for you.

Blind Spot Assist is able to give you a visual and audible warning of impending side collisions with other road users in the blind spot.



Active Brake Assist can help you to avoid rear-end collisions with stationary vehicles or vehicles in front.



With a continuous line, or if the lane behind a broken line has been identified as occupied, the Active Lane Keeping Assist system can intervene further with braking on one side of the vehicle.

Tyre pressure monitor system monitors the tyre pressure for you and provides you with a warning in the event of a drop in pressure.



The acoustic presence indicator generates specific Mercedes-Benz sounds outside of the vehicle up to a speed of 20 km/h, So that your electric vehicle also does not pose a danger to pedestrians and cyclists when driving virtually silently.

The knee airbag protects your legs from contact with the steering column or the dashboard in a severe frontal crash. This can prevent or lessen the severity of injuries.





Standard Equipment

Paintwork



Polar White



Cosmos Black



High-tech Silver



Spectral Blue



Mountain Grey

MANUFAKTUR



MANUFAKTUR Mountain Grey MAGNO



MANUFAKTUR Patagonia Red Metallic

Upholstery



AMG Line Interiors with Leather Package



ARTICO man-made leather Cupertino two-tone fabric rosé gold/titanium grey pearl

Trim



Star Pattern Trim

Interior Features

	EQB 350 4MATIC	EQB 250+
Ambient lighting - 64-colours	●	●
Velour floor mats	●	●
Roof liner in black fabric	●	●
Driver's seat is electrically adjustable up to 3 different seat positions with memory function	●	●
Multifunction sports steering wheel in nappa leather	●	●
DYNAMIC SELECT	●	●
Stowage compartment in centre console with retractable cover	●	●
Double cup holder	●	●
Spiral-look trim elements, backlit	●	●
Advanced Sound System	●	●
Load compartment package	●	●
Vehicle key in rose gold	●	●

● Standard

Exterior Features

	EQB 350 4MATIC	EQB 250+
Full-width LED lighting elements accent	●	●
Mercedes-EQ signature Black Panel front end	●	●
48.3 cm (19-inch) AMG light-alloy wheels in 10-spoke design, aerodynamically optimized, painted high-gloss black and with a high-sheen finish	●	●
Electric Art Exterior	●	●
Panoramic sliding sunroof	●	●
KEYLESS GO Comfort package	●	●
LED High Performance headlamps	●	●
EASY-PACK tailgate	●	●
Illuminated Door sills with EQB lettering	●	●
Parking package with reversing camera	●	●
Adaptive Highbeam Assist	●	●
Vehicle key in black with rose gold	●	●

● Standard

Technology Features

	EQB 350 4MATIC	EQB 250+
Alternating current charging system (AC charging) up to 11 kW	●	●
Direct current charging system (DC charging) up to 100 kW	●	●
Charging time	●	●
Fast Charging (100 kW DC) 10-80% - 32 mins	●	●
Wallbox (11 kW AC) 10-100% - 6.25 hrs	●	●
MBUX multimedia system.	●	●
Extended MBUX.	●	●
Digital Display	●	●
Smartphone integration	●	●
Hard Disk Navigation	●	●
Active Range Monitoring	●	●
Preinstallation for Navigation Service	●	●
THERMOTRONIC automatic climate control	●	●
Preinstallation for Live Traffic Information	●	●
Load compartment package	●	●
Vehicle key in rose gold	●	●

● Standard

Safety Features

	EQB 350 4MATIC	EQB 250+
Active Parking Assist with PARKTRONIC	●	●
Active Brake Assist	●	●
Acoustic Presence Indicator	●	●
Blind Spot Assist	●	●
Active Lane Keeping Assist	●	●
Tyre Pressure Monitor	●	●
Knee Airbag	●	●

● Standard



Genuine Accessories

Genuine Accessories

Alloy Wheels



5-spoke wheel, Aero, 48.3 cm (19-inch), High-sheen, with blue elements

The long road to perfection Mercedes-Benz light-alloy wheels not only boost your vehicle's looks, they also offer the ultimate in safety.

Hub Caps



Hub cap, raised star



AMG hub cap, with
AMG emblem



Hub cap, star with laurel wreath

Valve Caps



Valve cap, set of 4



AMG valve caps, with
Affalterbach badge

Genuine Accessories

Carrier Systems



Basic carrier bars for roof rails

Aluminum carrier precisely matched to the body of your Mercedes-Benz vehicle, consisting of two crossmembers with cover profiles. Transport solutions: Ski and snowboard rack, bicycle rack or roof boxes.



Mercedes-Benz roof box M, 430 liters

Mercedes-Benz roof box:
The perfect family box for transporting winter and summer accessories such as skis, snowboards, dive equipment, camping equipment, luggage etc. Mercedes-Benz roof boxes ensure you have everything safely contained and fully stowed away.

Rear Trim Strip



High-sheen chromed rear trim strip. Coordinates with all chrome trim parts. Simple to fit using special adhesive tape.

Genuine Accessories

Side Trim – Carbon Style



The Mercedes-Benz Sport Equipment side trim, with its realistic carbon-fibre look and individual, dynamic 3D effect, underlines the vehicle's dynamic appearance. No entry in vehicle documents required. Simple to secure in place using special adhesive tape.

Roof Spoiler - Plastic



Unflinchingly individual: a roof spoiler from Mercedes-Benz sets your vehicle apart. It gives the rear a more compact, powerful, accentuated look. Head-turning bodystyling, and safe too: the roof spoiler does not affect the field of vision. Quality on top: the roof spoiler is highly durable, thanks to the use of precision-fit, dimensionally stable polyurethane.

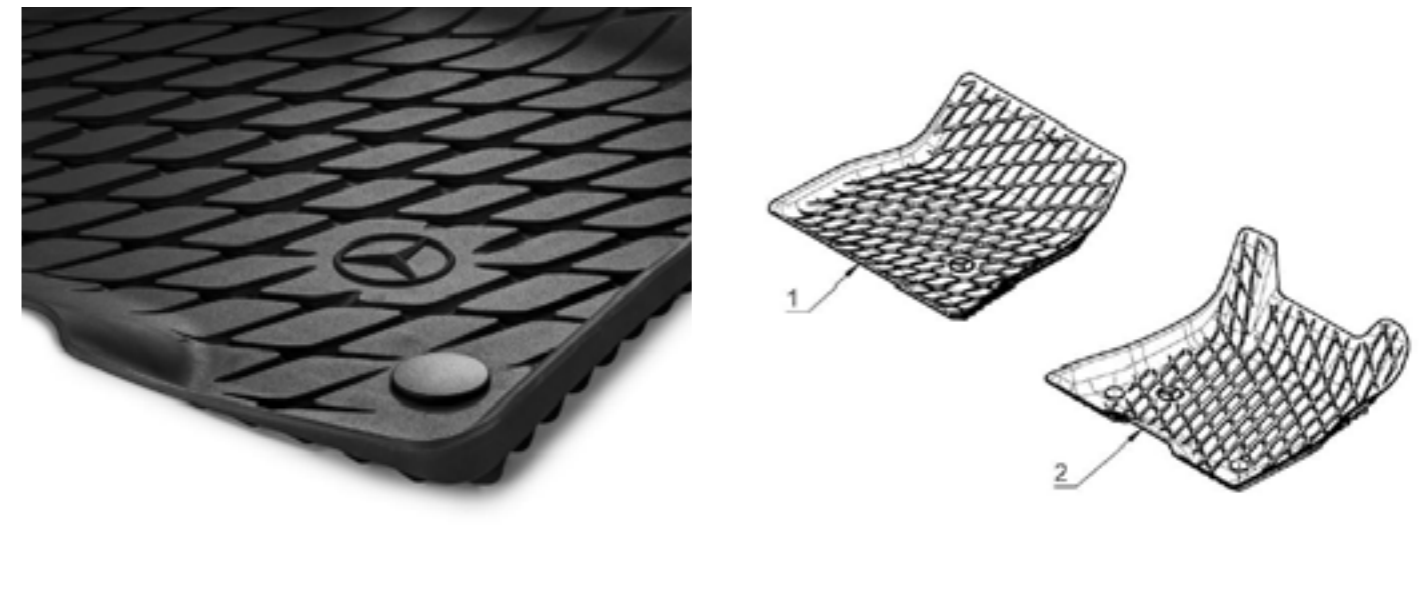
Genuine Accessories

Exchangeable cover for illuminated door sill panels, Mercedes-Benz, Front, set of 2, with Mercedes-Benz Pattern



Looks good and at the same time provides better orientation in the dark: the exchangeable cover in black featuring Mercedes-Benz Pattern for door sills featuring LED lighting. The exchangeable cover not only convinces with simple assembly and a precision fit, but also with its durability and long service life.

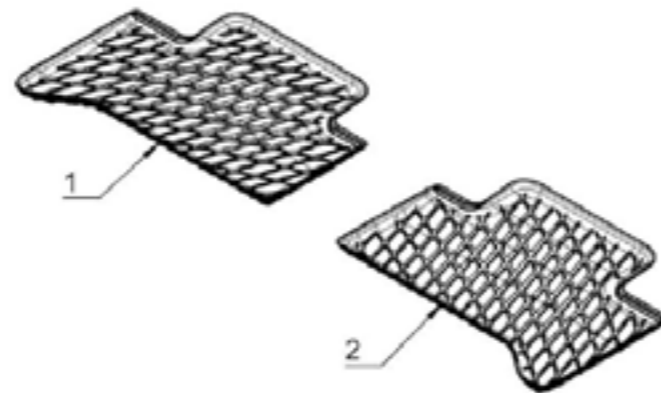
Footwell mould, Dynamic Squares, Driver's/front passenger's mat, Set of 2



Floor mat trays have to undergo rigorous testing before they are deemed worthy of the star logo: Durability, fade-resistant colour and a neutral odour, even after three winters of use, are all specifications which must be met without compromise. The mats are precision-tailored to your Mercedes-Benz using the vehicle's original CAD data and can be clip-fastened to the vehicle floor to prevent slipping.

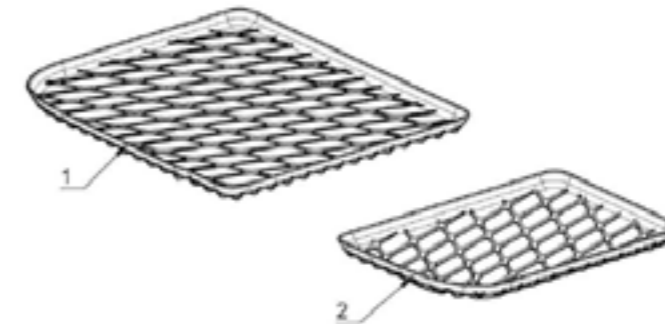
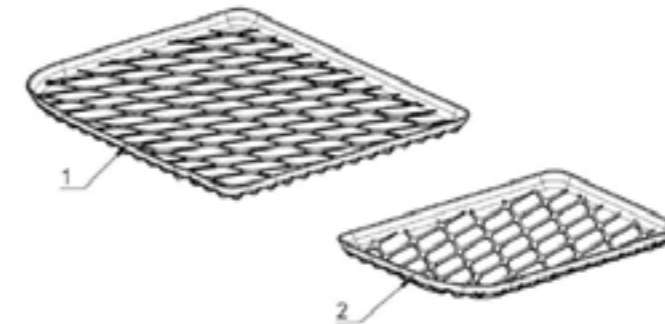
Genuine Accessories

Footwell mould, Dynamic Squares, Rear, Set of 2



Floor mat trays have to undergo rigorous testing before they are deemed worthy of the star logo: Durability, fade-resistant colour and a neutral odour, even after three winters of use, are all specifications which must be met without compromise. The mats are precision-tailored to your Mercedes-Benz using the vehicle's original CAD data and can be clip-fastened to the vehicle floor to prevent slipping.

Footwell mould, Dynamic Squares, Third Row, Set of 2



Floor mat trays have to undergo rigorous testing before they are deemed worthy of the star logo: Durability, fade-resistant colour and a neutral odour, even after three winters of use, are all specifications which must be met without compromise. The mats are precision-tailored to your Mercedes-Benz using the vehicle's original CAD data and can be clip-fastened to the vehicle floor to prevent slipping.

Genuine Accessories

Baby Safe Seat



In the Mercedes-Benz BABY-SAFE 3 i_SIZE infant carrier, babies from birth up to an age of 15 months (approved in accordance with R129 for children from 40 to 83 cm, up to a body weight of 13 kg) are safe and comfortable on the road. A rearward-facing baby carrier provides good support for the head, neck and back during a normal journey and in the event of an accident.

Cool box



Be it cool drinks, a picnic or baby food: the thermoelectric refrigerator box cools upon request and is the perfect companion on any day out. Thanks to its extra thick insulation it can cool up to 5°C, but a max. of 20°C under the outside temperature. It fits perfectly into every Mercedes-Benz vehicle and holds 13 litres. The portable refrigerator box is made up of a textile coating with fitted pockets and a zip. The inside, fixed plastic container is easy to clean. The refrigerator box is powered via the cigarette lighter or a 12-volt socket. Voltage transformers are optionally available for the 220-volt grid. Transportation in the load compartment is recommended for safety reasons. Dimensions: 41x41x26 cm (HxWxD).

Genuine Accessories

Ashtray & Shopping Crate



Ashtray

The high-quality ashtray in an appealing Mercedes-Benz design ensures that the interior of the vehicle remains clean and free of ash.



Shopping crate, collapsible

A must for any boot/load compartment: the practical shopping crate from Mercedes-Benz – a flexible transport and stowage accessory.

Car Care Kits – Exterior & Interior



Exterior Car Care Kit

- Complete set in high-quality leisure bag with Mercedes-Benz logo
- Two versatile care products: Car shampoo and rim cleaner with sponge and glove
- Practical: Car sponge and car cloth (imitation leather)



Interior Car Care Kit

- Cockpit lotion ,250 ml
- Window cleaner, inside, 500 ml
- Glass sponge, inside (imitation leather pad), printed with Mercedes-Benz logo
- Window cloth



Charging and Range



Complimentary Wallbox Charger

Convenience is a true luxury! Now fully charge the EQB while relaxing on the sofa with the Wallbox. With a charging capacity of 11 kW you can charge the EQB from 10% to 100% within 6.25 hours. This is 3 times quicker than at a conventional household socket. After purchase, the Wallbox would be installed by our installation partner at your preferred location at home.

Alternate Current Charging System

AC Charging System

Wallbox - 11 kW

10 - 100% in 6.25 hours



Direct Current Charging System

DC Charging System

Fast Charging - 100 kW

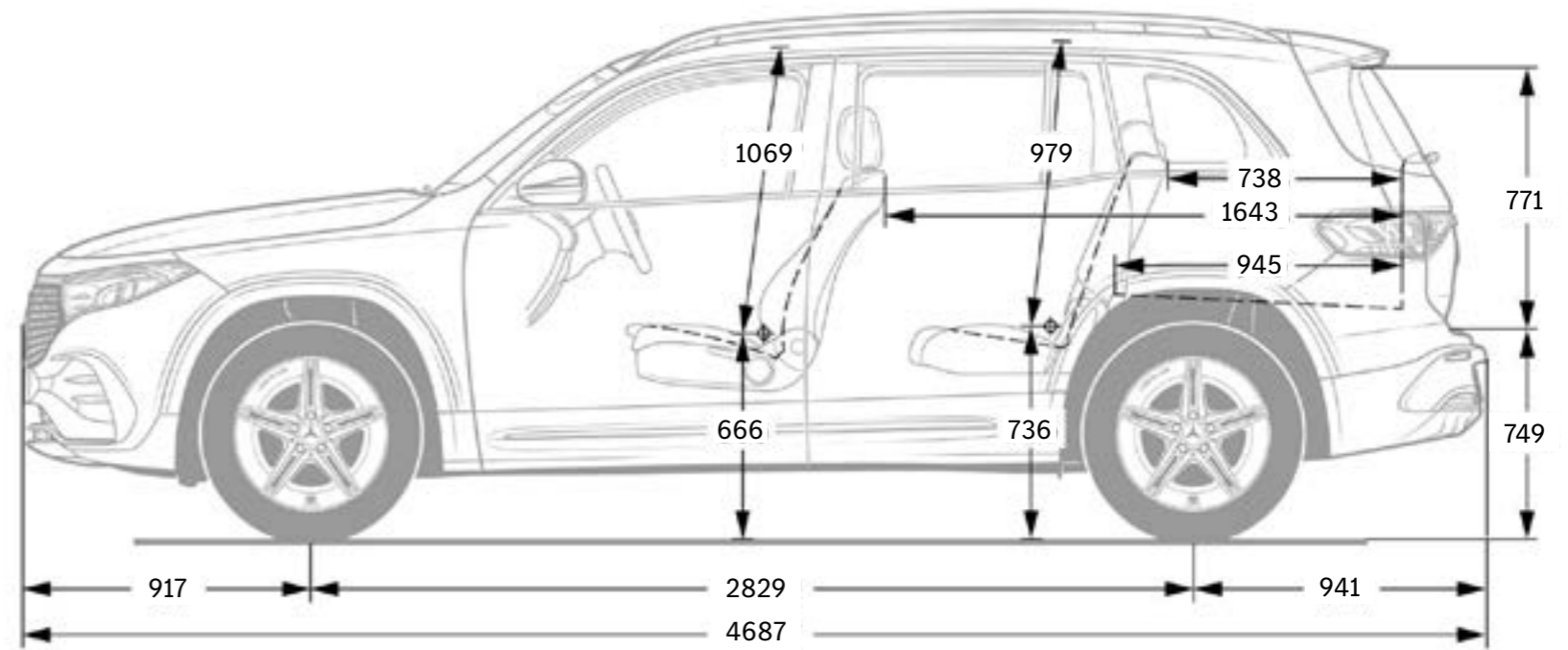
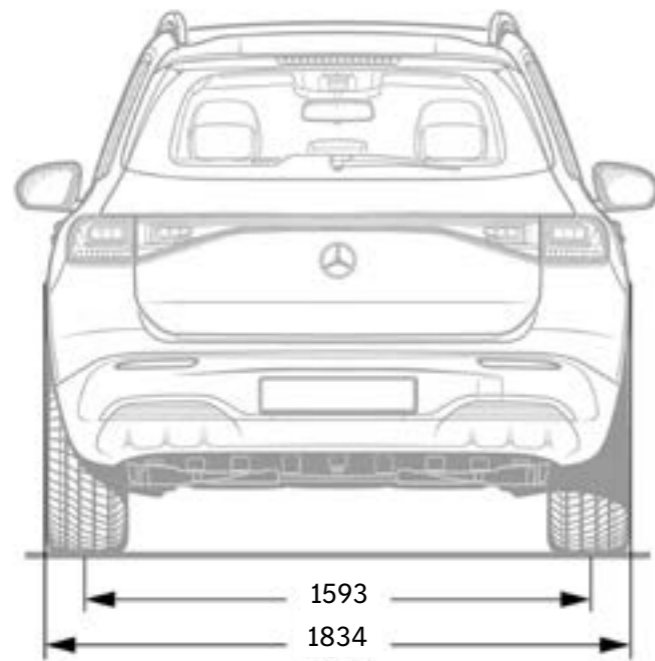
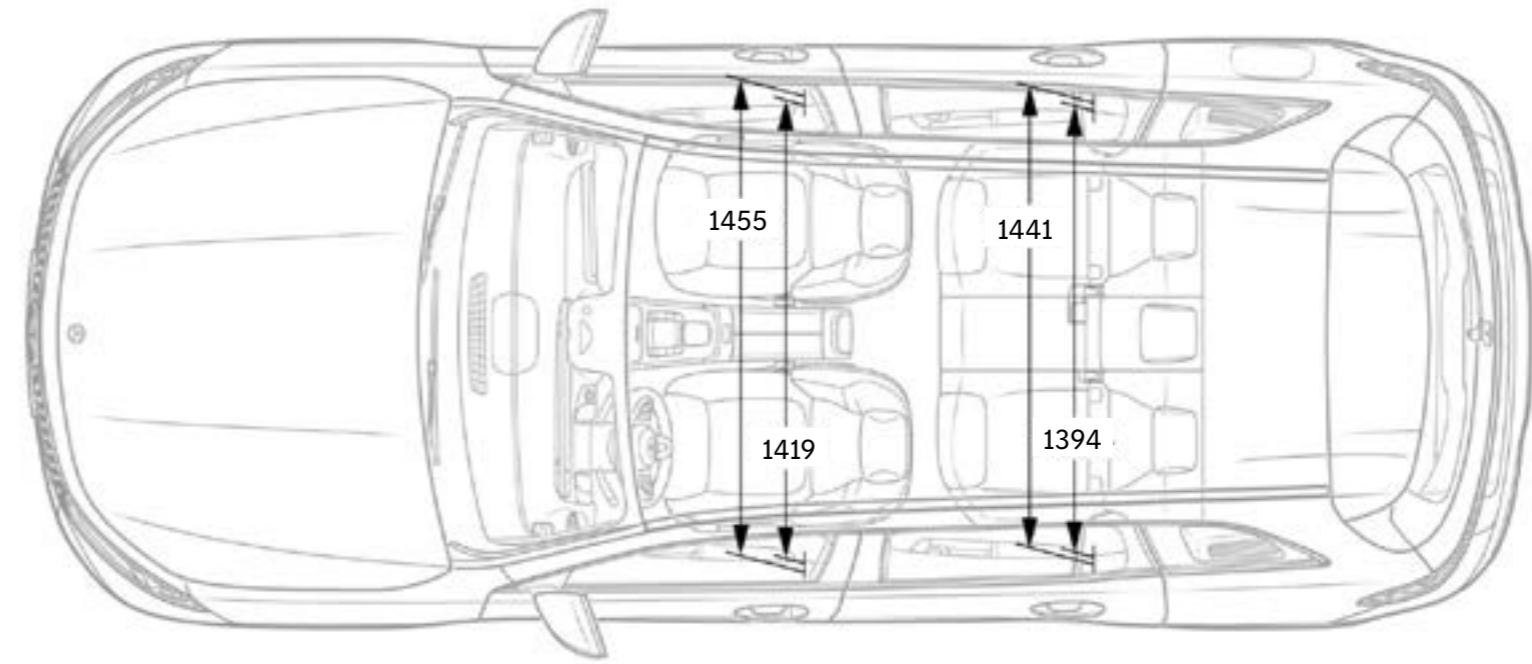
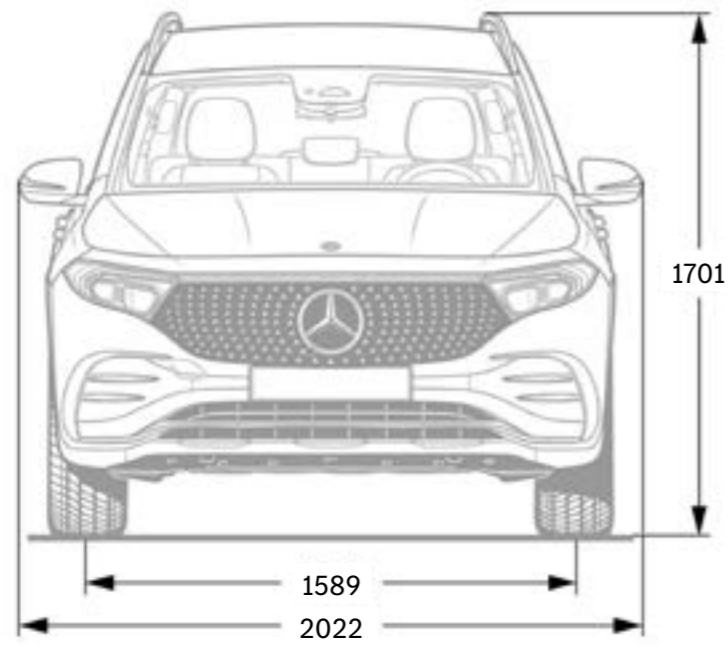
10 - 80% in 32 minutes



Technical Data

	EQB 350 4MATIC	EQB 250+
Battery type	Lithium-ion High power density	Lithium-ion High power density
Electric motors	Front Axle: Asynchronous motor (ASM) Rear Axle: Permanently excited synchronous motor (PSM)	Front Axle: Asynchronous motor (ASM)
Battery capacity	66.5 kWh	70.5 kWh
Power hp	215 kW	140 kW
Torque	520 Nm	385 Nm
Transmission	Automatic	Automatic
Acceleration	6.2 sec	8.9 sec
Top speed	160 km/h	160 km/h
Fast Charging	32 min (100 kW DC) 10-80%	35 min (100 kW DC) 10-80%
Wallbox	6.45 hrs (11 kW AC) 0-100%	7.15 hrs (11 kW AC) 0-100%
Range power consumption combined	18.1 - 19.4 kWh/100 km	15.2 - 17.5 kWh/100 km
Electric range - WLTP	397 - 447 km	464 - 535 km

EQB 350 4MATIC





My Mercedes. My Service

Advance Assurance Program

Extending your warranty coverage

With Advance Assurance Program, experience complete peace of mind. While this Extended Warranty Program kicks in the moment your standard 3 years warranty comes to an end, it can be extended further up to 6 years at a nominal price. Also, it comes with a bouquet of privileges for a worry-free time with your Star.

STAR EASE

Delivering the best-in-class value

Servicing your Star does not get any better than this. With the STAR Ease Maintenance Packages, pay a defined cost of maintenance based on the model, contract period and mileage and say goodbye to spending on service every time. Plus, enjoy exclusive features like priority handling, shorter waiting time and quicker processes.

My Mercedes. My Service

MOBILO

Providing you 24x7 mobility support

Your vehicle comes with Mobilo which provides round-the-clock on-road assistance service. Mobilo comes as a standard for 3 years and can be extended further up to 8 years at a nominal cost. This service offers privileges like vehicle towing facility, replacement vehicle, hotel accommodation, just to name a few.

Digital Service Drive

Ensuring convenience and transparency of service.

Servicing your Star is the last thing you will ever have to worry about. We provide transparent, convenient and hassle-free service. Our customer-friendly service features work around your busy schedule so that you have one less thing to focus upon.





My Mercedes. My Service

Mercedes-Benz Genuine Parts

Now with 2 years* of warranty

Mercedes-Benz Genuine Parts are crafted to the state-of-the-art standards of Mercedes-Benz, protecting your vehicle's performance while maintaining the style, comfort and safety, for the years to come. Also, they come with a warranty of up to 2 years, ensuring you a peaceful ownership experience with your Star.

Premier Express*

Because we value your time as much as you do.

Life gets busy and so we have designed Premier Express, our vehicle care service to help you get in and out quickly. While the visit will be brief, the service offered by our technicians will be comprehensive and complete. All to ensure your Mercedes-Benz is running for miles to come.

My Mercedes. My Service

Mercedes-Benz Approved Tyres and Rims

Ensuring every ride is a safe and joyful one

Maximise the safety and comfort of your Star with Mercedes-Benz approved tyres and rims. While the Mercedes-Benz approved tyres are designed to optimally match your car's performance, the Mercedes-Benz approved rims are designed to lend an exceptional style to the exterior of your Star and are also engineered for optimal performance.



EQ Charging Stations across Franchise Partners.

What's in it for you.

Biggest Ultra-Fast charging network in India.
 Exclusive for Mercedes-Benz Electric Cars.
 24 x 7 facility available.

AC Charging System	DC Charging System	
Wallbox	Fast Charging	
100+ locations	36 locations	
11 kW	60 kW	180 kW
	21 locations	15 locations

Your Mercedes-Benz electric car comes with a complimentary Wallbox charger.





Mercedes-Benz India Private Limited: E-3, MIDC Chakan - Phase III, Chakan Industrial Area, Kuruli & Nighoje, Tal: Khed, Pune - 410 501 (India) Toll free No.: 0008000501888. e-mail: cs.ind@cac.mercedes-benz.com, website: www.mercedes-benz.co.in Please note: This brochure is intended for general information, description and illustration of the Product including optional functions and equipment and may not be specific to a Product since specification of a product may change from time to time. Optional features, functions and equipment etc. may not be present in the Standard or Variant Product or Special Edition Product. Further, Standard specifications of a product may also vary from time to time. Colours may differ from those shown in pictures in the brochure. Mercedes-Benz India reserves the right to make changes without prior notice, in design, colours, materials, components, equipment, specifications, features, functions, make and models etc. The information given in this brochure shall be regarded as accurate at the time of launch and may vary thereafter due to any developments or any other reason. Interested customers should reach out to the Authorised Franchise Partner for further information on the exact specifications, features of the product.

Images shown are for representation purposes only. Some of the vehicles in the Brochure are left hand drive wheel. However, Mercedes-Benz India only manufactures and sells vehicles as per the applicable motor vehicle regulations in India. All vehicles sold by Mercedes-Benz Authorized Franchise Partners shall be with right hand drive wheels only. All title, ownership rights and intellectual property rights in and relating to this brochure/magazine or publication material or any copies thereof including but not limited to copyright, logos, names, trademarks, service marks, design, text, images, links, concepts and themes are owned by Mercedes-Benz Group AG and/or its subsidiaries collectively or used under authorised license by the Mercedes-Benz Group AG. Any reproduction, transmission, publication, performance, broadcast, alteration, license, creation of derivative works or other use in whole or in part in any manner without the prior written consent of Mercedes-Benz India Pvt. Ltd is strictly prohibited. Please note that certain services are offered free of cost for a period of three (03) years and may be chargeable at the expiry of three (03) years from the date of activation of such services. If you wish to continue using those services, you may renew the same through Mercedes Me Store (as and when it is available). Please get in touch with your preferred Franchise Partner for more details. Mercedes-Benz cars: The EQB meets Bharat Stage VI equivalent emission norms.
CIN - U34102PN1994PTC083160