

The all-New Mercedes-Benz GLB



Mercedes-Benz





Open for what's next.



Strength. Empowering your independence.

*Please read the disclaimer



Comfort gains. In size.



Expands the possibilities. Intuitively.



Made for new experiences.



Petrol: GLB 200

The 4-cylinder engine runs very quietly and is highly refined. A win-win situation is achieved courtesy of the numerous high-tech coatings: they enhance efficiency and reduce wear and tear.

Key features:

- With Cylinder Shut-off function in the lower load and engine speed ranges the engine runs in efficient 2-cylinder mode. When the driver calls for more power via the accelerator pedal position the engine goes back to 4 cylinder mode.
- Pistons with friction-reducing coating made of graphite/ carbon fibres, among other materials – this also protects the material and reduces consumption
- Piston rings with DLC (diamond-like carbon) – diamond-like carbon is extremely abrasion-resistant and dissipates heat excellently
- Air-cooled charge air cooler - increases air density and thus performance
- Complex coating system, including extremely hard cylinder barrels featuring NANOSLIDE® technology (iron-carbon) – they provide for ideal lubrication, reduce friction and form the basis for low wear
- Sophisticated measures for air flow - resonators and dampers help to make the engine quiet
- Crankcase in die-cast aluminium and lightweight, compact cylinder head - reduces vehicle weight in areas of significance for driving dynamics
- A turbocharger controls the charge pressure electronically – more flexibly, more quickly and more precisely, primarily in the partial load range
- Crankshaft and connecting rods in forged steel – for exceptional stability in highly stressed areas

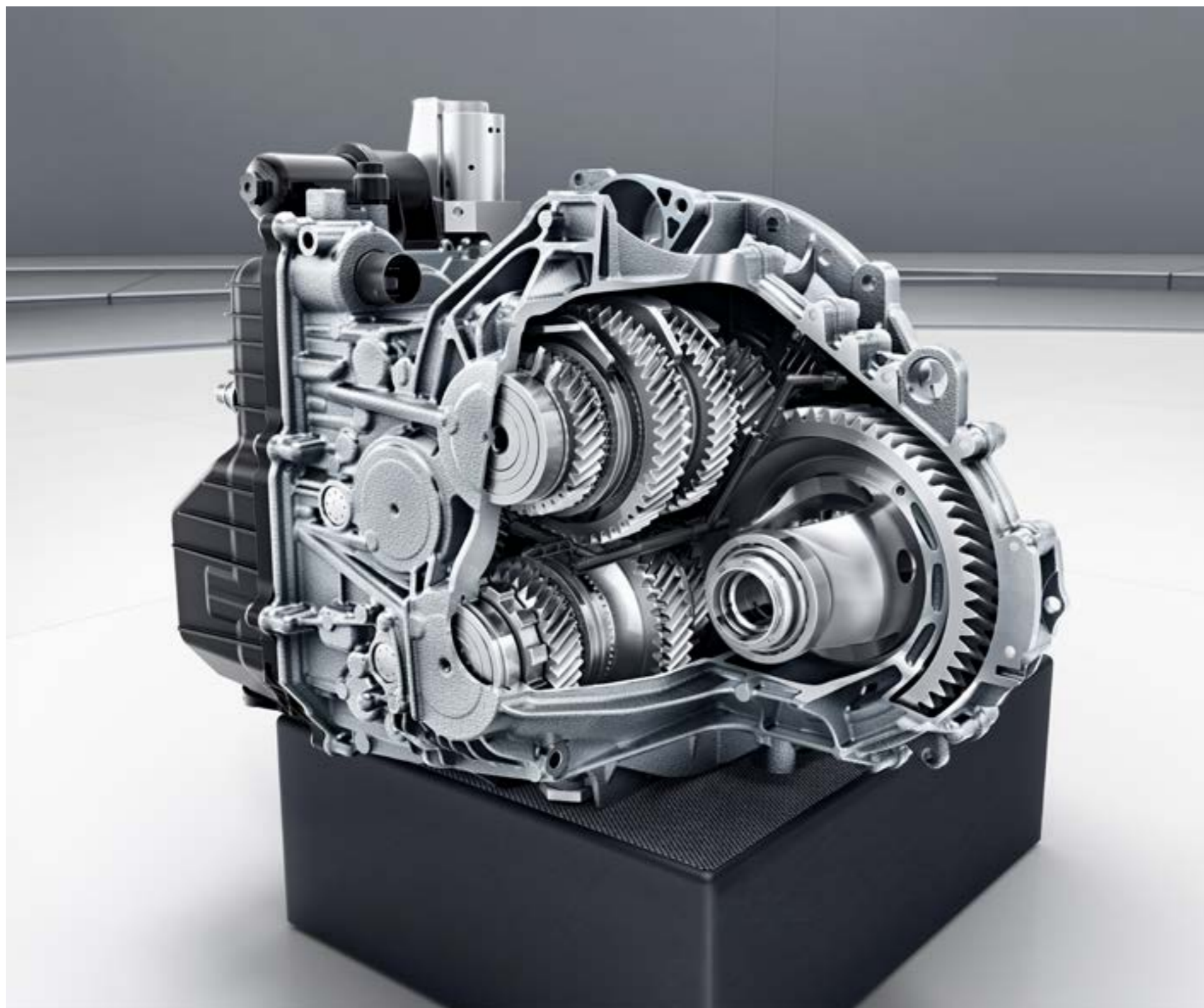
Diesel: GLB 220d and 220d 4MATIC

These 4-cylinder diesel engines of the latest generation give a lot but take little. This is thanks to their particularly light, compact design and minimal frictional losses. Significantly less noise and vibrations bring the level of refinement virtually to that of petrol engines.

Key features:

- Common rail direct injection (4th generation): highly efficient mixture formation thanks to directly controlled piezo injectors (up to seven injections per power stroke)
- High-tech steel pistons (tested in the fields of commercial vehicles and motor racing): lower thermal expansion and thus friction compared with aluminium, at the same time even lighter and more robust
- Plastic engine mounts: quieter and less vibrations
- NANOSLIDE®: ideal lubrication, reduced friction and maximum wear resistance thanks to extremely hard cylinder contact faces with minuscule pores for oil absorption
- Optimised airflow to the intake and exhaust sides: less noise generation
- Forged crankshaft: extremely light and durable
- All-aluminium construction with low cylinder spacing (90mm), camshaft drive at the rear, Lanchester balancer shafts on the left and right positioned next to the crankshaft instead of beneath it: exceptionally compact and light design
- Turbochargers with adjustable turbine blades (to control the air volume) and injection pressure up to 2050 bar: superior torque build-up





Automatic Transmission

8G-DCT (with GLB 220d & 220d 4MATIC)

An automatic transmission which adjusts to your requirements: with the drive program you can also change the characteristics of the dual clutch transmission. It uses the 8 gears selectively for efficient driving with low engine speeds or for impressive dynamism. Because the next gear is always already preselected, you can accelerate seamlessly.

It's components:

- 8-speed dual clutch transmission consisting of two sub-transmissions, each with its own clutch
- 8 forward gears and 1 reverse gear
- DIRECT SELECT lever on the steering wheel
- High quality steering wheel shift paddles – on the left for downshifts and on the right for upshifts

Automatic Transmission

7G-DCT (with GLB 200)

The drive programs adjust the 7G-DCT to your requirements – depending on the situation and your preference. It is always the case that with the dual clutch transmission you accelerate faster and without any interruption. The next gear is always already preselected.

Its components:

- 7-speed dual clutch transmission consisting of two sub-transmissions, each with its own clutch
- 7 forward gears and 1 reverse gear.
- DIRECT SELECT selector lever on the steering wheel to engage the gear
- Steering wheel gearshift paddles consists - left to change down and right to change up a gear





Comfort suspension

Enjoy a high level of comfort on long motorway stretches while tackling tight curves with sporty flair. The balanced comfort suspension provides an impressive mix of responsive suspension reserves with excellent driving stability. This makes your driving safe while at the same time providing a great deal of driving pleasure.



Mercedes-Benz GLB

Design

Progressive Line Exterior

(with GLB 200 & GLB 220d)

The Progressive design enhances your car. Enjoy high-quality technology and experience the unique, expressive SUV lifestyle.

Progressive bodystyling consists of -

- Radiator grille with two single louvres painted in a silver color and chrome inserts
- Simulated underguard at front and rear in high-gloss chrome
- Door trim (cladding) in grained black with chrome-plated trim element in a running board look
- Chrome-plated waistline and window line trim strips
- Roof rails in aluminium





AMG Line Exterior

(with GLB 220d 4MATIC)

The AMG Line boosts the vehicle's attractive sporty appearance both on the exterior and in the interior.

AMG bodystyling consists of -

- AMG front apron with front splitter in chrome
- AMG rear apron with diffuser look and trim element in chrome plus two visible tailpipe trim elements
- Diamond radiator grille with pins in chrome, single louvre with chrome insert
- Side trim (cladding) in grained black with chrome-plated inserts
- Chrome-plated waistline and window line trim strips
- Aluminium-look roof rails

LED High Performance Headlamps

The LED High Performance headlamps provide more safety at night and an unmistakable, distinctive look. LED technology illuminates the road ahead better than conventional headlamps – and it uses less energy. The pleasant light colour is easy on the eyes. This is because the evenly bright, warm white light of the LED High Performance headlamps is closer to the colour temperature of daylight than that of halogen headlamps.



Panoramic Sliding Sunroof

The panoramic sliding sunroof provides a genuine open-air ambience. The large area of glass affords interesting views and creates a friendly atmosphere. When driving with the roof open, you will enjoy a refreshing feeling.

- Large glass module of tinted safety glass
- Net wind deflector in the front section
- Electric roller sunblind with one-touch control
- Comprehensive safety concept:
 - Obstruction sensor
 - Automatic rain closing function



Polished aluminium roof rails

The roof rails serve as a transport option “on top”: here you can conveniently and securely fit a host of different roof rack systems. Thanks to their high-quality polished aluminium finish, in addition to being practical they are also certainly a design feature.

DYNAMIC SELECT

Just drive as you want to. At the press of a button DYNAMIC SELECT offers different drive programs with setting options for the engine, transmission, chassis and steering, for instance. In “Sport” mode the vehicle is more dynamic and in basic “Comfort” mode its setup is very balanced. “ECO”, on the other hand, places the emphasis on maximum efficiency and saves fuel and money.

The “ECO” drive program gives you particularly comprehensive support if you want to avoid CO₂ and pollutants. The air conditioning work with reduced output in this setting and thus also save valuable energy. In “Individual” you choose all the respective parameters yourself. This means that you can select a sporty setting for the drive system and at the same time have a comfortable setting for the chassis.

Drivers of vehicles with the Off-Road Engineering package (GLB 220d 4Matic) can additionally select the “Off-Road” drive program. It optimises traction, for example on snow, slush or loose surfaces. For this it adjusts the power delivery of the engine and the ABS control for light terrain away from paved roads.





EASY-PACK tailgate

Extremely practical: the EASY-PACK tailgate can be opened and closed electrically and makes loading and unloading the boot even more convenient. You can start the opening and closing process very conveniently at the press of a button and interrupt it at any time by pressing the button again.

You can also press the button on your vehicle key from a distance so that the tailgate is open by the time you get to the vehicle. In addition there is also the classic option of using a switch in the driver's door or the release handle directly in the tailgate.

- Electrically opening and closing tailgate
- Switch in the driver's door to open and close the tailgate electrically
- Switch to close the tailgate electrically on the bottom edge of the tailgate
- Manual retractable load compartment cover to cover the load



Leather multifunction sports steering wheel (With GLB 200 & GLB 220d)

The elegant leather lining gives the multifunction sports steering wheel an even higher quality look. It makes it a highlight of the interior. And as the driver you enjoy a double benefit: what looks good must also feel good. Perfect vehicle control: the steering wheel sets the course, and not just on the road surface. It connects you with the vehicle and becomes a control centre. The Touch Control buttons on the left and right operate various navigation, telephony and entertainment functions. Last but not least, they set the speed/proximity control: everything under control without taking your hands off the steering wheel.

Multifunction sports steering wheel in nappa leather (With GLB 220d 4MATIC)

The multifunction sports steering wheel in nappa leather with control panels in chrome has a flattened bottom section and is perforated in the grip area – excellent credentials for sporty driving. Not only will you see this, you will feel it straight away when touching the steering wheel. The high-quality, soft nappa leather is also a quality experience in itself.



All-digital instrument display

You experience the entire range of digital display possibilities. The large, high-resolution 26cm (10.25 inch) display is individually configured by you - for example in the classic form, with the speedometer on the left and the rev counter on the right. Visually impressive and easy to read: travel and driving assistance information is superimposed using the full display area.



Media Display

The high-resolution media display networks you with the car in a large format 26cm (10.25 inch). It is touch-sensitive in responding to your input. Symbols make operation easier and improve concentration. Highly appealing combination: when the media display is combined with the larger instrument display, the result is a Widescreen cockpit.



Touchpad

Using the touchpad, you can operate the display of the infotainment system as you would a smartphone. Move or enlarge the content quite simply with single gestures. Each input is confirmed with haptic feedback. The touchpad recognises your handwriting should you wish to enter addresses or phone numbers. Also call up frequently used functions such as “Back” via the three symbols on the front touch surface. Furthermore, additional controls are positioned around the touch-sensitive surface. This gives you direct access to key functions at any time. For example, for the DYNAMIC SELECT drive programs, vehicle functions, navigation or telephone functions.

Ambient Lighting in 64 colors

Showcase the interior according to your personal preferences or current mood. The 64 colours of the ambient lighting create fascinating colour schemes, for example in the illuminated air vents, doors or the dashboard. When you adjust the air conditioning, feedback is provided in colour. This makes even more of an impression – on all passengers.



Electrically adjustable front row seats with memory function and Lumbar Support

With the Memory function, you can store and conveniently select up to 3 different seat positions. As part of this you can very simply readjust the seat electrically. If you have created a user profile, you must activate this on the central display in order to access your personal settings.

In addition, you can also benefit from dynamic seating if required – as part of this the seat cushion moves gently up and down and the backrest moves forwards and backwards (ENERGIZING seat kinetics). A blessing for your back muscles, which will tire less easily.

For an ergonomic seating position and relaxed back muscles. The 4-way lumbar support is a small detail which has a big impact. It adapts the seat contour to your lumbar spine and gives it support. Four settings are possible: higher, lower, weaker or stronger.

The parking position of the exterior mirror on the front passenger side in particular is a feature that is likely to become essential too. When reverse gear is engaged, the mirror lowers to improve visibility to the rear. Afterwards the mirror automatically returns to its initial position.

The Seat Comfort Package with its many adjustment options lets you find your ideal sitting position. All drivers can find their own personal and ergonomic setting. Out of special respect for tall drivers: the extendable seat cushion. It extends the supporting surface for the thighs by up to six centimeters.





Space Concept



Third row seating

The seats and cargo volume available in your vehicle are just as diverse as your lifestyle. The third seat row for up to two additional passengers can be quickly folded up or down at any time. Use the flexibility to suit your specific needs – depending on whether you wish to transport other passengers or a large amount of luggage. You control the seats in the third seat row from the luggage compartment: Via two easily accessible straps you can fold the seats down and pull them back up again independently of each other. The EASY-ENTRY system facilitates access, enabling your passengers to comfortably take their seat in the third row.

Second Row seats with Fore-Aft Adjustment

The longitudinally adjustable 2nd seat row offers you further advantages: it can be moved in or against the direction of travel in an adjustment range of 140 mm. This means that you can distribute the available space as you require it: to give your passengers more legroom or a bigger load compartment if you would like to transport something.

Folding Second and Third Row Seats

Your compact vehicle can be transformed into a mini van without further ado. For shopping trips or weekend excursions, the second row seat backrests feature a 40:20:40 split. And they are twice as practical: if you fold down the centre section for longer objects, the two outer seats can still be used without restriction.





Wireless Charging

Driving time becomes charging time – just drop your smartphone into its allotted place in the oddments tray for wireless charging. Irrespective of the model and brand, compatible smartphones are charged wirelessly.

Stowage compartment in centre console with retractable cover

The cover for the stowage compartment in the centre console offers you elegant protection from prying eyes in a high-quality material. This looks good, the interior appears even tidier, and everything important is to hand. The practical stowage compartment can house typical everyday items such as a smartphone, wallet or various keys.



Light and Sight package

More light sources for good orientation – and they look good too: for example, transparent lenses in the overhead control panel create a three-dimensional crystal effect. The vanity mirror in the sunblind is illuminated for a quick glance or when putting on make-up.

Features:

- Overhead control panel, “4 light stones”
- Interior lamp/ reading lamp in rear in support plate (rear/left/right)
- Touchpad illumination
- Reading lamps (front/ left/ right), console downlighter
- Vanity lights (front/ left/ right)
- Signal and ambient lamp
- Footwell lighting (front/ left/ right)
- Cup holder/ stowage compartment lighting
- Oddments tray lighting





THERMOTRONIC automatic climate control

The THERMOTRONIC controls the individual temperature in two zones. You and your front passenger can thus set your preferred climate independently of one another. And you never have to readjust, because the sensitive sensors even register changes in conditions, such as sunlight.

Components

- Two zones with individual temperature selection for driver's and front passenger side respectively
- Automatic control of temperature, airflow and air distribution ("auto" button)
- Sensors maintain the desired temperature
- Constant monitoring of incoming air for harmful gases with automatic air recirculation setting
- A fine-dust activated charcoal filter improves the air quality in the vehicle. It filters dust, soot and pollen from the air and also reduces pollutants and odours.
- Dew point sensor prevents windows from misting up and ensures energy-efficient climate control
- Rear centre vents for improved climate comfort in the rear

Velour Floor Mats

(with GLB 200 & GLB 220d)

The floor mats in high-quality velour enhance the interior. They are finished in black and feature elegant topstitching in the respective appointments colour. Naturally they also have a very practical use. They protect the footwell against dirt and can be removed easily to be hoovered or cleaned.



AMG Floor Mats

(with GLB 220d 4MATIC)

The AMG floor mats supplement the sporty overall impression of your vehicle. They are finished in hard-wearing black velour, protect the footwell against dirt and are easy to clean. Details such as the “AMG” lettering reinforce the effect.



Comfort Seats

(with GLB 200 & GLB 220d)

The comfort suspension seat ensures good long-distance comfort and is extensively adjustable for length and height. You are also able to change the angle of the seat surface, and even lengthen it.

Sports Seats

(with GLB 220d 4MATIC)

The optimum combination of sport and comfort: the sports seats optimise lateral support for dynamic driving and at the same time provide unrestricted comfort for everyday use.





Mercedes-Benz GLB

Technology



Mercedes-Benz User Experience (MBUX)

Transforming the in-car user experience, thanks to MBUX: Controlled via voice or touch input, the innovative infotainment system can over time even predict personal habits thanks to artificial intelligence.

Voice control

- Activated by the keywords “Hey Mercedes”, the new intelligent voice control LINGUATRNRONIC lets you control many of the infotainment functions, including destination input, phone calls or music selection
- MBUX is able to understand different accents and will adjust to you over time
- MBUX even understands indirect commands. Feeling chilly? Just say “I feel cold” and MBUX will adjust the temperature for you

Touch inputs

- Beside voice control you can operate MBUX via touchscreen, the touchpad on the centre console, as well as touch control buttons on the steering wheel
- The touchpad recognises your handwriting should you wish to enter addresses or phone numbers silently

Personalisation

- Turn the GLB into your very own Mercedes-Benz by personalising driving modes, radio stations and much more
- Your personal settings can be saved in up to seven different profiles, making your driving experience the best one possible
- Thanks to artificial intelligence, MBUX is able to learn and adapt over time. It will be able to predict your personal habits, such as navigation for frequently driven routes, or the ration station you like to listen to on your way home from work

Maintenance and service

- Wondering when the next service is due? Or how much further you can drive until you need to stop at a petrol station? Just ask your MBUX – it will tell you the answer

Mercedes me

Additional Mercedes me connect features

Alexa Home Integration with Mercedes me

connect: Conversations with Alexa are now more fun when the systems connect with your Mercedes Benz via cloud and give you real time updates. This feature can be used from an Alexa Echo device setup at home, office or also from phone's Alexa App. The command starts with "Alexa, Ask Mercedes to..." or directly initiate a command by saying "Alexa, tell Mercedes to <command>".

Google Home integration with Mercedes me connect: Google Home integration is also offered for Google home users. In a similar way, once the Mercedes me connect is linked to Google Home, you can start issuing commands.

Parking location POIs (Points of Interest): The introduction of new Parking solution, shows Parking lots available across different parts of the cities. The Parking POIs (Points of interest) can be seen easily on the navigation system or alternatively also on the Mercedes me App maps section.

Please note that certain services are offered free of cost for a period of three (03) years and may be chargeable at the expiry of three (03) years from the date of activation of such services. If you wish to continue using those services, you may renew the same through Mercedes Me Store (as and when it is available). Please get in touch with your preferred Franchise Partner for more details.





Mercedes me connect allows drivers to stay in touch with their vehicles from anywhere in the world and to obtain assistance at the touch of a button.

Mercedes me

Vehicle Monitoring

Vehicle Tracker: Track your vehicle from anywhere, as your vehicle's GPS coordinates are seen on your phone App.

Parked Vehicle Locator: It can locate your parked vehicle within a radius of 1.5 kilometres and show you on a map how to make your way back to the vehicle.

Navigation Connectivity package

The combination of the standard-fit communication module (LTE) and the hard-disc navigation makes sure that you always reach your destination as quickly as possible by the best route.

Vehicle Set-Up

Remote Retrieval of Vehicle Status: Information on Mercedes me App or the Mercedes me Portal.

Remote Door Locking and Unlocking: You can conveniently remotely lock or unlock your vehicle from the Mercedes me App.

Speed Alert: Receive an alert if your vehicle exceeds a certain speed.

Send2Car function: Send your address to your vehicle via an app.

Remote Engine Start

(Available with GLB 220d and GLB 220d 4MATIC)

Mercedes-Benz emergency call system

The Mercedes-Benz emergency call system can save you vital minutes in an emergency. If an accident is detected, a communications module with its own SIM card automatically triggers an emergency call which could shorten the time until rescue services arrive.

Please note that certain services are offered free of cost for a period of three (03) years and may be chargeable at the expiry of three (03) years from the date of activation of such services. If you wish to continue using those services, you may renew the same through Mercedes Me Store (as and when it is available). Please get in touch with your preferred Franchise Partner for more details.

Mercedes *me*

Vehicle Finder (enables horn and light flashing)

Find your vehicle in large parking lots with ease. Simply blow the horn or flash the headlamps through the app to locate your vehicle

Mercedes me Service app: Your digital assistant

Keep a tab on your Star's maintenance with ease. Get timely maintenance and service reminders. Book a service appointment and search for nearest showrooms with a single touch.

What's more, access expert tips to keep your Star in its best shape with car care videos.

Geo-fencing

Set a perimeter for the car movement and receive notifications in case of vehicle movement beyond the parameter. Hence the feature enables easy monitoring when vehicle is being driven by others.

Windows/sunroof open close from App

Open/Close the windows and sunroof of your Mercedes-Benz remotely through the app. This enables better ventilation before you get into the car.



Smartphone Integration

Smartphone integration links the mobile phone with the media system via Apple® CarPlay® or Android Auto®. This gives you convenient access to the most important apps on your smartphone. You can also use apps from third-party providers such as Spotify quickly and easily. The available displays of the smartphone are optimized for the media display's interface, ie they are even more clearly arranged. For your concentration should continue to be devoted to your driving. This is why the voice control is more than just an appealing feature. You can submit your requests via the voice assistant in the car too.



Hard-disc navigation

Save time thanks to fast hard-disc navigation with flexible inputs via touch control or voice input. The intelligent system guides you reliably to your destination using both local and up-to-date online data. You can enter the data as you wish – on the touchscreen, or using the touchpad, the touch control buttons or LINGUATRONIC. The system even understands you when you use common speech. Say “Hello Mercedes, take me to...” and specify a desired location. Another special feature is “what3words.” This innovative coordinates system determines every single point on earth with exactly three words.



Live Traffic Information

It receives traffic information in real time which is more precise and up-to-date than conventional systems and optimises dynamic route guidance. The data is updated every 2 minutes over a mobile phone connection. Sending the vehicle's location along with requests for traffic information required for calculating your route and arrival time.



Off-Road Engineering package in GLB 220d 4MATIC

Makes your GLB fit for difficult terrain: the additional Off-Road drive program optimises traction, for example on snow, slush or loose surfaces. For this it adjusts the power delivery of the engine and the ABS control for light terrain away from paved roads.

You can set the additional Off-Road drive program via DYNAMIC SELECT - for example when you are driving in light off-road terrain. You can also access an animation of the driving situation on the media display. A realistic representation of the gradient, inclination angle and technical settings helps you to assess driving manoeuvres correct.

With the Downhill Speed Regulation (DSR) your vehicle gets a helpful assist system. The downhill driving assist system automatically maintains a preselected slow speed between approx. 2 and 18 km/h, which can be viewed in the Instrument Display. With targeted brake actuation the assist systems helps you to maintain control when driving on steep downhill gradients.

Cruise Control

Enjoy relaxed, fuel-efficient motoring on longer journeys in particular. For this you preselect your desired speed and your vehicle takes over control of the speed. In addition to the travelling speed, the limiter helps you to observe a maximum speed. The controls are located in an ideal, ergonomic position on the left steering wheel spoke.



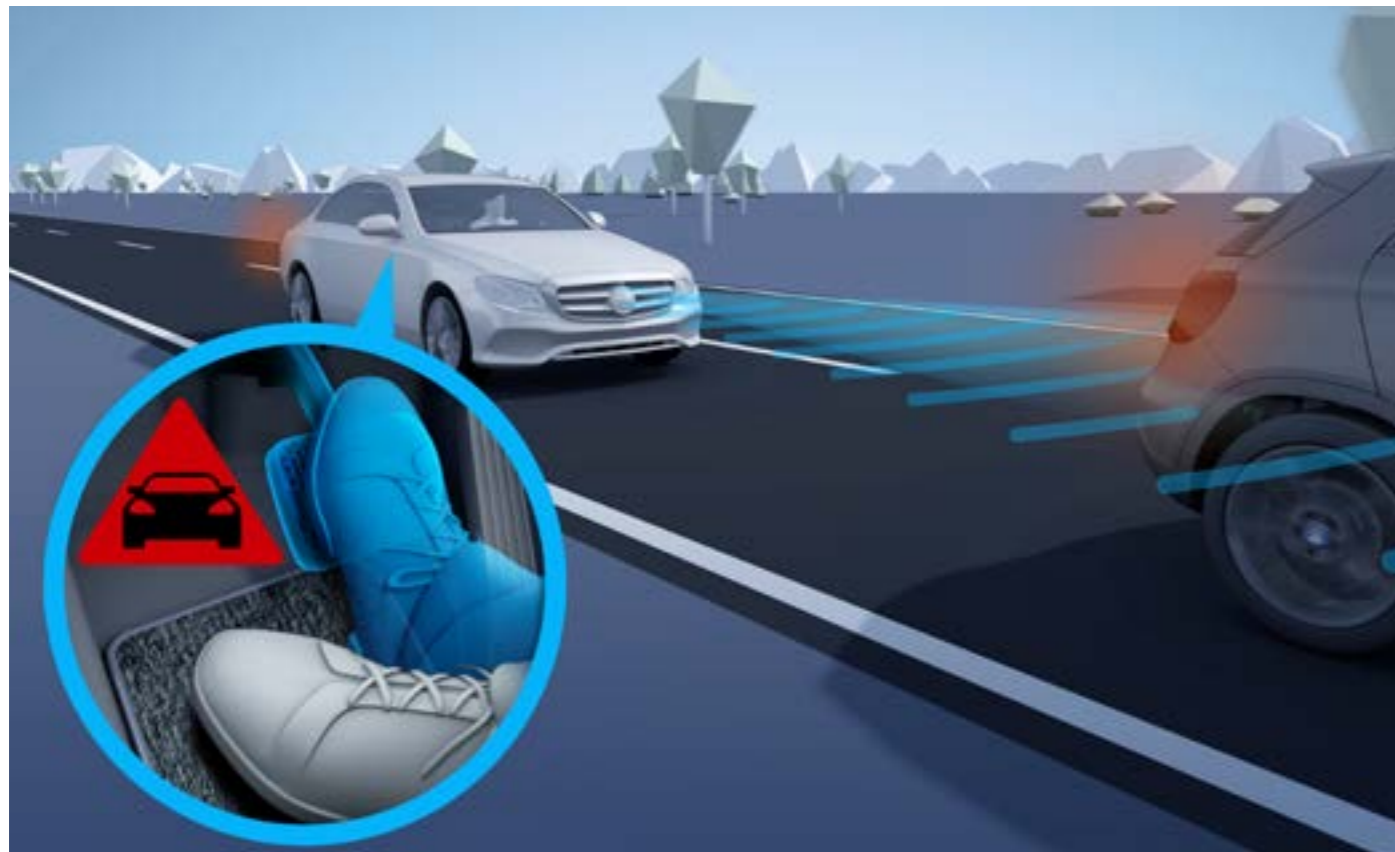


Mercedes-Benz GLB

Safety

Active Brake Assist

Active Braking Assist is constantly attentive for you, and can help prevent serious accidents due to insufficient distance or inattentiveness. The system then issues a visual and acoustic warning of an impending collision. If you then brake too gently it offers you sufficient braking power for the situation in question. If you do not react, Active Braking Assist does so on your behalf and attempts to diffuse as much energy as possible with an autonomous brake application. This can prevent accidents or at least lessen their severity. The system can also brake up to a speed of approx. 60 km/h for stationary vehicles and pedestrians crossing. Depending on the situation this even prevents collisions up to a speed of 50 km/h.



Active Parking Assist with PARKTRONIC

With this package you will master even tight parking spaces effortlessly. Convenient: Active Parking Assist with PARKTRONIC searches for a suitable parking space and then helps you to park in it. Peace of mind is also the motto for the reversing camera, with which expensive body damage can be avoided thanks to the good overview to the rear.



Kneebag

The knee airbag protects your legs from contact with the steering column or the dashboard in a severe frontal crash. This can prevent or lessen the severity of injuries. The air cushion inflates in milliseconds and stabilises the whole body. This ensures that the entire restraint system including the seat belt work together optimally.

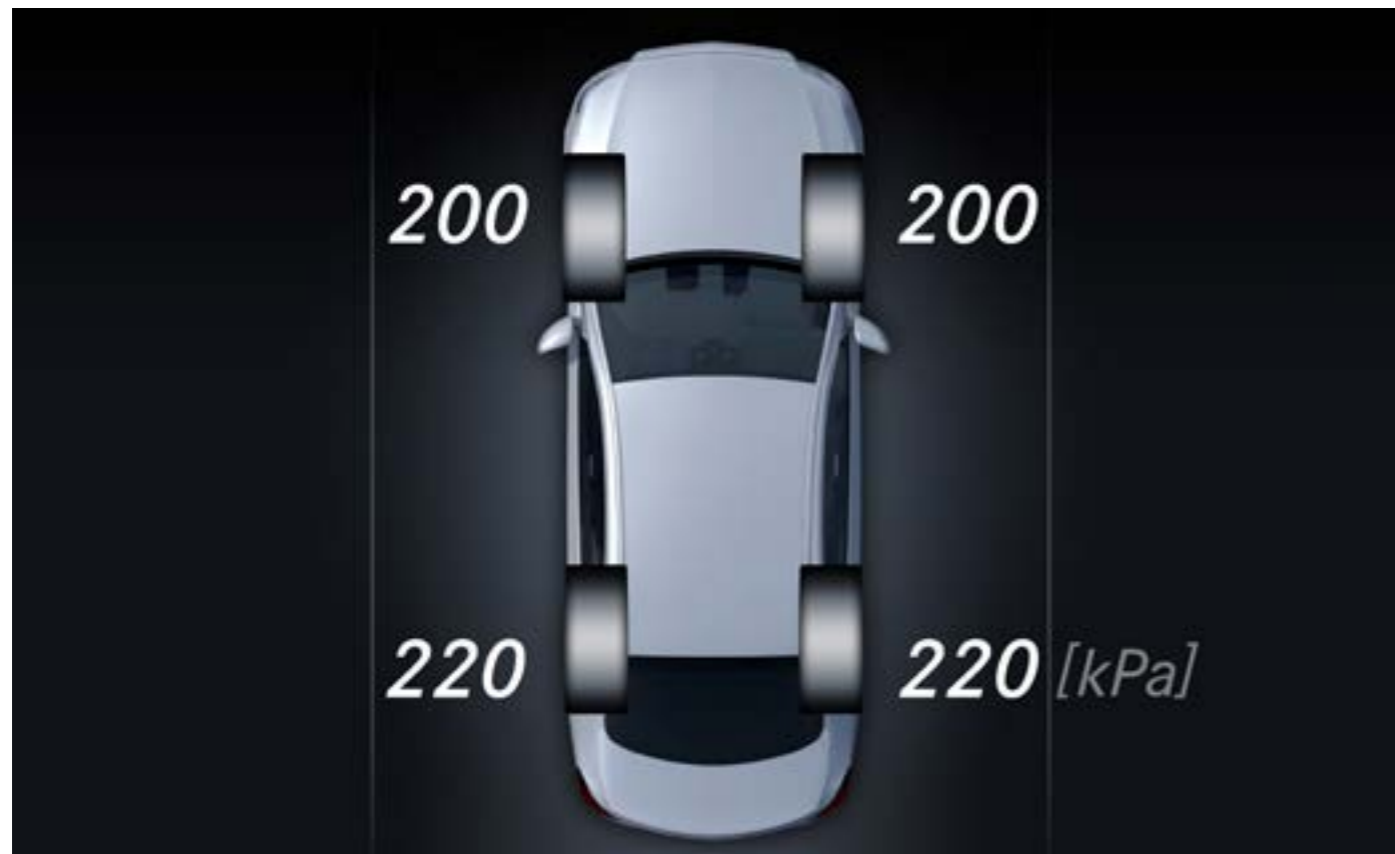
Mirror package

You can fold in the exterior mirrors electrically and thus make your car slimmer at the press of a button. Small parking spaces suddenly become big enough. Importantly, this also protects you from annoying damage. The rear-view mirror is able to register headlamp dazzle from the rear and dim automatically.



Tyre Pressure Monitor

The system monitors the tyre pressure for you and provides you with a warning in the event of a drop in pressure. Correct tyre pressure additionally increases tyre life. It also sounds when the tyre pressure suddenly drops very quickly. The instrument cluster then displays the line of text “Warning – tyre defective.” If the tyres are overloaded – for example due to excessive speed – the tyre pressure monitoring system reports: “Tyres overheated.”



Tyre Fit Kit

Your rapid temporary measure in the event of less significant tyre damage. Damage caused by driving over nails or glass fragments can be sealed by means of the sealant blown in via the air compressor. As a result, you can continue to drive to the nearest workshop at up to 80 km/h.

Paintwork

Polar White



Cosmos Black



Denim Blue



Mountain Grey



Patagonia Red Metallic



Upholstery



Macchiato Beige

Available with GLB 200 and GLB 220d
(Polar White, Cosmos Black, Denim Blue, Mountain Grey)

Roof Liner: Macchiato beige fabric



Anthracite Black

Available with GLB 200 and GLB 220d
(designo Patagonia Red Metallic)

Roof Liner: Crystal grey fabric



DINAMICA Micro Fiber Black

Available with GLB 220d 4MATIC
(Polar White, Cosmos Black, Denim Blue, Mountain Grey and
designo Patagonia Red Metallic)

Roof Liner: Black fabric

Trim



Brown open-pore walnut wood trim
(Available with GLB 200 and GLB 220d)



Carbon-structure trim
(Available with GLB 220d 4MATIC)

Alloy



45.7 cm (18-inch) 5-spoke light-alloy wheels

(with GLB 200 and GLB 220d)

Aerodynamically optimised, painted in high-gloss black and with a high-shine finish.



48.3 cm (19-inch) AMG 5-twin-spoke light-alloy wheels

(with GLB 220d 4MATIC)

Aerodynamically optimised, painted in tantalite grey with a high-shine finish.

Genuine Accessories - Exteriors



Roof Spoiler

Unflinchingly individual: a roof spoiler from Mercedes-Benz sets your vehicle apart. It gives the rear a more compact, powerful, accentuated look. Head-turning body styling, and safe too: the roof spoiler does not affect the field of vision. Quality on top: the roof spoiler is highly durable, thanks to the use of precision-fit, dimensionally stable polyurethane.

For that visible distinction – Mercedes-Benz.



Rear Trim Strip

High-shine chromed rear trim strip. Coordinates with all chrome trim parts. Simple to fit using special adhesive tape.



AMG Roof box

The innovative, aerodynamically developed design of the Mercedes-AMG roof box combines sportiness and exclusivity. The two-tone finish and the fin in the cover create an interesting interplay of light and shadow and emphasize the expressiveness of the AMG design. Attain optimum results in terms of aerodynamics, driving characteristics and background noise with the design of the Mercedes-AMG roof box in two diffuser models.

Capacity approximately: 410 liters.

Maximum load: 70 kg



Door Handle recesses, large, 2 piece

An exclusive highlight: the refined, chrome-design door handle recesses lend the vehicle a polished, individual look. The stable, robust material is precision-tailored to the bodywork and protects the paintwork in the recess from scratches.

Genuine Accessories - Interiors



LED Logo Projector, Mercedes Star

A fascinating presence: Innovative LED logo projectors project a Mercedes star with a 3D effect onto the ground in the entrance area when opening the driver or front passenger door.



LED Logo Projector, AMG emblem

A fascinating presence: On opening the driver's or front passenger door, innovative LED logo projectors project the AMG emblem with a 3D effect onto the ground in the entrance area.

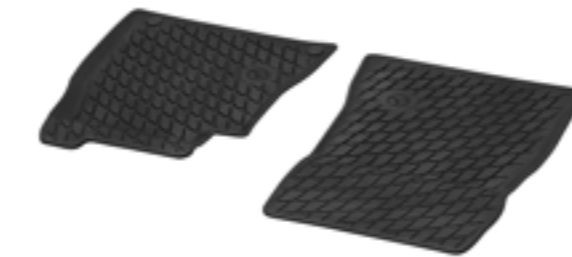
Genuine Accessories - Telematics



Mercedes-Benz Dashcam

- High-resolution recording quality in full HD (also at night)
- HDR technology enables high-contrast images
- Image stabilization
- Video loop recording
- Videos stating location, speed, date and time
- Photo function and voice output
- Parking monitoring function with radar sensors
- Wifi connection for smartphones
- Acceleration sensor to identify impacts (G sensor)
- Easy to use and attach in the matching holder
- Intelligent power management
- Approved in crash tests

Genuine Accessories - Protectors



Driver/co-driver's, 2-piece



Rear, 2-piece



3rd seat row, 2-piece



Velour Floor Mats, Classic, 6 piece

All-season floor mats, Dynamic squares

Genuine Accessories – Safety



AMG KIDFIX XP child seat, with ISOFIX

The AMG of child seats! The high-quality Mercedes-AMG KIDFIX child seat offers support and safety for children aged between 3.5 to 12 years (15 to 36 kg body weight) in an exclusive AMG design. The KIDFIX XP has been specially tested and designed for Mercedes-Benz and Mercedes-AMG cars. For a high level of safety for children in the car we have therefore comprehensively equipped the KIDFIX XP with the seat's strengths that include its exemplary side impact protection, & can reduce the impact on the child in the event of a collision; large, padded side bolsters; rigid seat base, a stable seat belt guide and a particularly robust attachment of the head restraint that supports the head ergonomically if the child falls asleep. The child seat also grows with your child, as the head restraint and seat belt guide can be moved to the right position for the height of your child up to the intended size. The V-shaped backrest of the KIDFIX XP can be continuously adjusted to the inclination of the vehicle seat, ensuring the child is always in a pleasant position. The KIDFIX XP is equipped with a belt airbag. The original AMG seat cover material with the mesh integrates perfectly into any sporty interior. The high-quality stitching of the AMG lettering in the head restraint reaffirms the quality standard from Affalterbach.



DUO plus child seat, with ISOFIX

Children between the ages of around 9 months and 4 years (weight 9 to 18 kg) can safely travel in the DUO plus child seat from Mercedes-Benz. The DUO plus has been tested and checked according to the strict safety requirements of Mercedes-Benz. It offers a high level of safety when driving and in the event of an accident. Furthermore, we have comprehensively equipped the DUO plus to make it easy to safely and correctly insert and remove the child seat. The ISOFIX system also ensures a fixed and secure connection between the vehicle and child seat, even when the seat is unoccupied. In vehicles without fitted ISOFIX attachment points the DUO plus can alternatively be secured with the conventional three-point seat belt. As an additional belt for fixation of the top area of the child seat, the TopTether, standard for the Mercedes-Benz DUO plus, offers added safety and limits the rotation of the child seat. The height-adjustable shoulder belt can be easily adjusted to 7 levels. A seated, resting and sleeping position are available.



KIDFIX child seat, with ISOFIX

The high-quality Mercedes-Benz KIDFIX child seat offers support and safety for children aged between about 3.5 to 12 years (15 to 36 kg body weight). The KIDFIX XP has been specially tested and designed for Mercedes-Benz and Mercedes-AMG cars. For a high level of safety for children in the car we have therefore comprehensively equipped the KIDFIX XP with the seat's strengths that include its exemplary side impact protection, & can reduce the impact on the child in the event of a collision; large, padded side bolsters; rigid seat base, a stable seat belt guide and a particularly robust attachment of the head restraint that supports the head ergonomically if the child falls asleep. The child seat also grows with your child, as the head restraint and seat belt guide can be moved to the right position for the height of your child up to the intended size. The V-shaped backrest of the KIDFIX XP can be continuously adjusted to the inclination of the vehicle seat, ensuring the child is always in a pleasant position. The KIDFIX XP is equipped with a belt airbag. The exclusive cover in grey/black, designed by our Mercedes-Benz designers and made from high-quality materials, perfectly integrates into the interior of the vehicle.

Genuine Accessories - Comfort



Bag hook



Coat hangar



Concertina load sill protector



Coolbox



Folding table

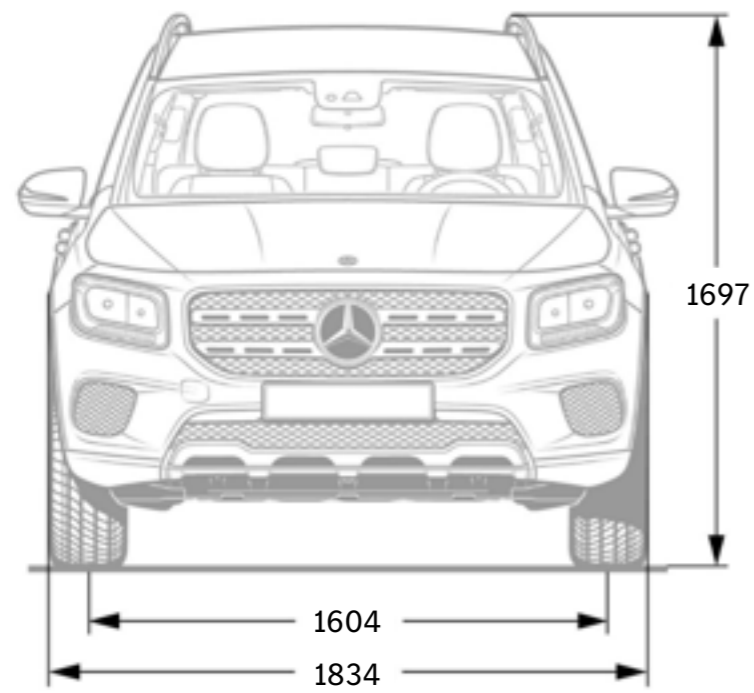


Stowage crate

Technical Data

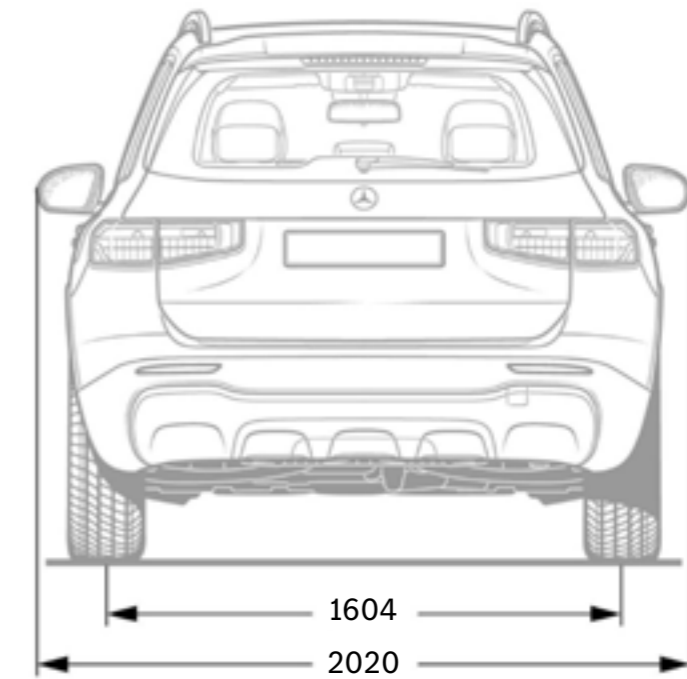
	GLB 200	GLB 220d	GLB 220d 4MATIC
Fuel type	Petrol	Diesel	Diesel
Engine Name	M282	OM654q	OM654q
Total Displacement	1332cc	1950cc	1950cc
Number of Cylinders	4 Cylinder	4 Cylinder	4 Cylinder
Rated Output	120kW (163hp) at 5500 rpm	140kW (190hp) at 3800 rpm	140kW (190hp) at 3800 rpm
Rate Torque	250Nm at 1620 - 4000 rpm	400Nm at 1600 - 2600 rpm	400Nm at 1600 - 2600 rpm
Transmission	7G-DCT	8G-DCT	8G-DCT
Acceleration	9.1 s	7.7 s	7.6 s
Top Speed	207 km/h	220 km/h	217 km/h

GLB 200 and GLB 220d

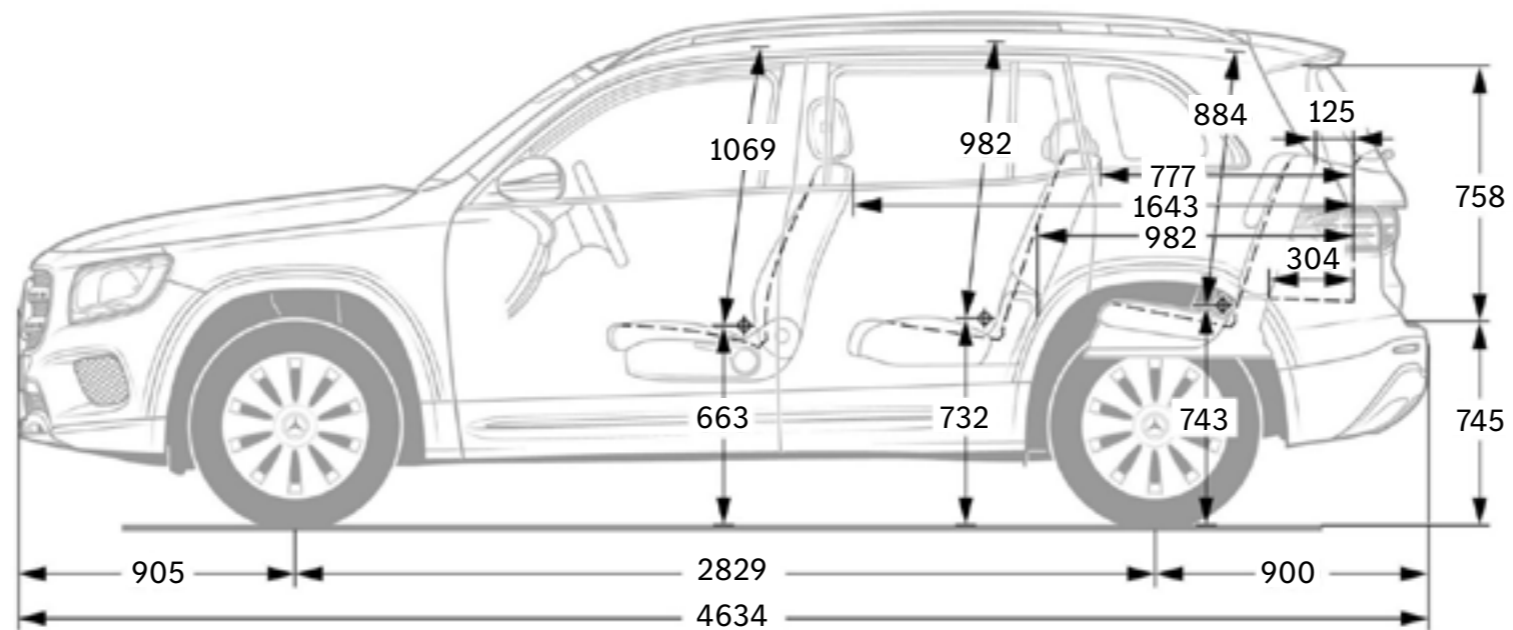


Front

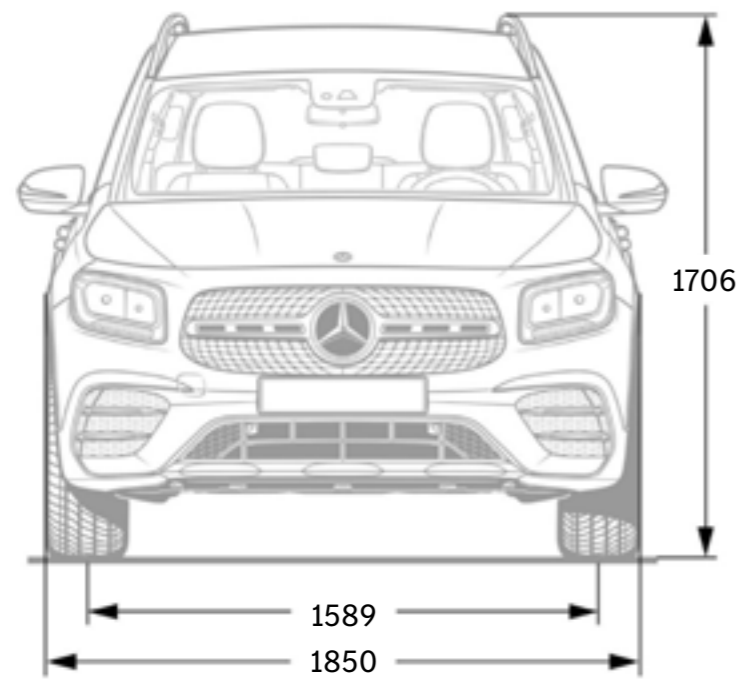
Rear



Side

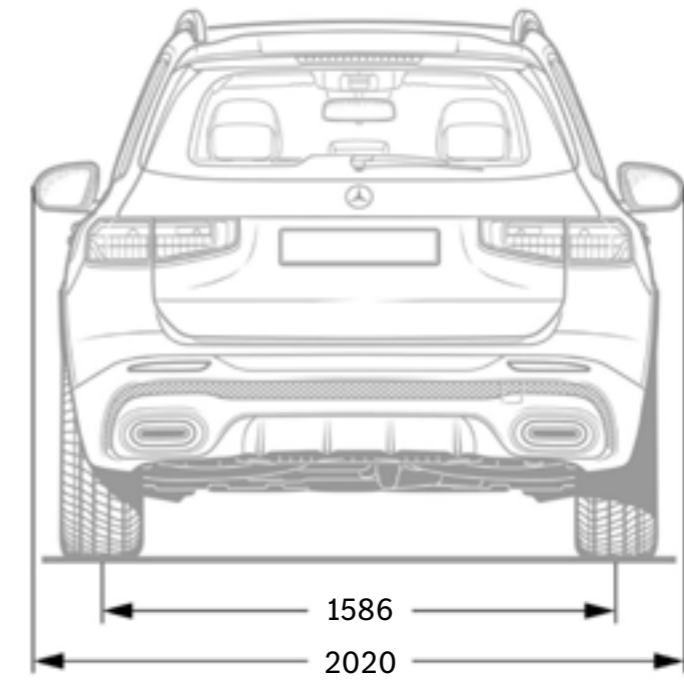


GLB 220d 4MATIC

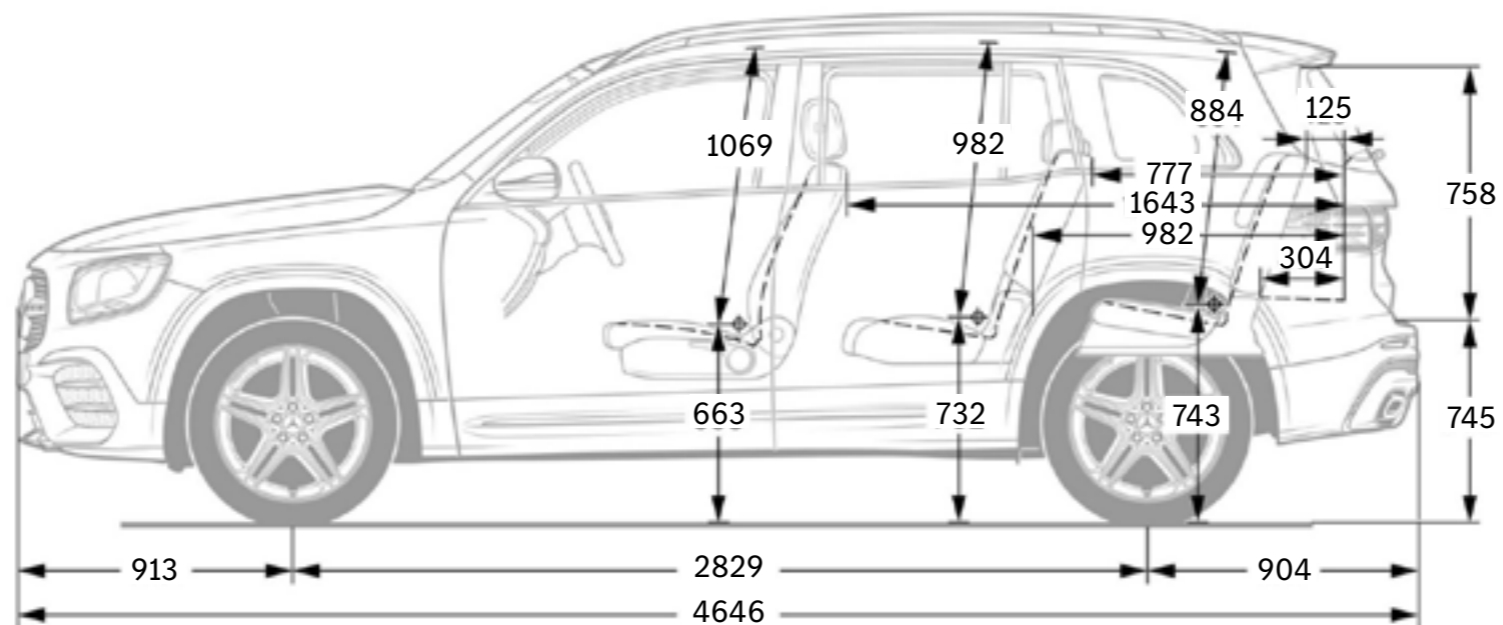


Front

Rear



Side



*Please read the disclaimer

*All dimensions are in mm

The 8 years you'll be looking forward to.

The GLB isn't just best-in-class when it comes to space and comfort. There's more to the Star than meets the eye. While all new GLB comes with a standard warranty of 3 Years in India without any mileage restrictions, to experience the car like never before, you also get an 8-year warranty on the engine and transmission from the date of vehicle handover.

Get exclusive benefits such as:

- Honoured at any of our authorized Mercedes-Benz Franchise partner nationwide
- Warranty work and repairs performed using Genuine Mercedes-Benz Parts
- Warranty transferable to the next owner in the event of a sale.

Coverage of the parts such as:

- Engine and Transmission
- Torque Converter
- Supercharger/Turbocharger
- Engine and Transmission Control Units





My Mercedes. My Service

Advance Assurance Program

Extending your warranty coverage

With Advance Assurance Program, experience complete peace of mind. While this Extended Warranty Program kicks in the moment your standard 3 years warranty comes to an end, it can be extended further up to 6 years at a nominal price. Also, it comes with a bouquet of privileges for a worry-free time with your Star.

STAR EASE

Delivering the best-in-class value

Servicing your Star does not get any better than this. With the STAR Ease Maintenance Packages, pay a defined cost of maintenance based on the model, contract period and mileage and say goodbye to spending on service every time. Plus, enjoy exclusive features like priority handling, shorter waiting time and quicker processes.

My Mercedes. My Service

MOBILO

Providing you 24x7 mobility support

Your vehicle comes with Mobilo which provides round-the-clock on-road assistance service. Mobilo comes as a standard for 3 years and can be extended further up to 8 years at a nominal cost. This service offers privileges like vehicle towing facility, replacement vehicle, hotel accommodation, just to name a few.

Digital Service Drive

Ensuring convenience and transparency of service.

Servicing your Star is the last thing you will ever have to worry about. We provide transparent, convenient and hassle-free service. Our customer-friendly service features work around your busy schedule so that you have one less thing to focus upon.





My Mercedes. My Service

Mercedes-Benz Genuine Parts

Now with 2 years* of warranty

Mercedes-Benz Genuine Parts are crafted to the state-of-the-art standards of Mercedes-Benz, protecting your vehicle's performance while maintaining the style, comfort and safety, for the years to come. Also, they come with a warranty of up to 2 years, ensuring you a peaceful ownership experience with your Star.

Premier Express Prime*

Because we value your time as much as you do.

Life gets busy and so we have designed Premier Express Prime, vehicle service that matches your schedule.

With Premier Express Prime, Get your Car Serviced in 180 mins or it's rendered complimentary!

*Available at selected locations.

My Mercedes. My Service

Mercedes-Benz Approved Tyres and Rims

Ensuring every ride is a safe and joyful one

Maximise the safety and comfort of your Star with Mercedes-Benz approved tyres and rims. While the Mercedes-Benz approved tyres are designed to optimally match your car's performance, the Mercedes-Benz approved rims are designed to lend an exceptional style to the exterior of your Star and are also engineered for optimal performance.

Mercedes-Benz Genuine Chemical Products

Because your Star deserves nothing but the original

Mercedes-Benz Genuine Chemical Products are specially tested for compatibility with the materials in our cars and meet the high quality standards. Also, our products have been approved under Mercedes-Benz Group AG's strict, self-imposed environmental norms. Now with Mercedes-Benz Genuine Chemical Products, experience a whole new world of superior products that support throughout the car's life cycle.





Mercedes-Benz India Private Limited: E-3, MIDC Chakan - Phase III, Chakan Industrial Area, Kuruli & Nighoje, Tal: Khed, Pune - 410 501 (India) Toll free No.: 0008000501888. e-mail: cs.ind@cac.mercedes-benz.com, website: www.mercedes-benz.co.in Please note: This brochure is intended for general information, description and illustration of the Product including optional functions and equipment and may not be specific to a Product since specification of a product may change from time to time. Optional features, functions and equipment etc. may not be present in the Standard or Variant Product or Special Edition Product. Further, Standard specifications of a product may also vary from time to time. Colours may differ from those shown in pictures in the brochure. Mercedes-Benz India reserves the right to make changes without prior notice, in design, colours, materials, components, equipment, specifications, features, functions, make and models etc. The information given in this brochure shall be regarded as accurate at the time of launch and may vary thereafter due to any developments or any other reason. Interested customers should reach out to the Authorised Franchise Partner for further information on the exact specifications, features of the product.

Images shown are for representation purposes only. Some of the vehicles in the Brochure are left hand drive wheel. However, Mercedes-Benz India only manufactures and sells vehicles as per the applicable motor vehicle regulations in India. All vehicles sold by Mercedes-Benz Authorized Franchise Partners shall be with right hand drive wheels only. All title, ownership rights and intellectual property rights in and relating to this brochure/magazine or publication material or any copies thereof including but not limited to copyright, logos, names, trademarks, service marks, design, text, images, links, concepts and themes are owned by Mercedes-Benz Group AG and/or its subsidiaries collectively or used under authorised license by the Mercedes-Benz Group AG. Any reproduction, transmission, publication, performance, broadcast, alteration, license, creation of derivative works or other use in whole or in part in any manner without the prior written consent of Mercedes-Benz India Pvt. Ltd is strictly prohibited. Please note that certain services are offered free of cost for a period of three (03) years and may be chargeable at the expiry of three (03) years from the date of activation of such services. If you wish to continue using those services, you may renew the same through Mercedes Me Store (as and when it is available). Please get in touch with your preferred Franchise Partner for more details. Mercedes-Benz cars: The GLB meets Bharat Stage VI equivalent emission norms.
CIN - U34102PN1994PTC083160