

The Mercedes-Benz GLE LWB



Mercedes-Benz





All kinds of strength



Mercedes-Benz GLE LWB

Engine

GLE LWB 300d 4MATIC

The 4-cylinder diesel engine with 48 V electrical system gives a lot and needs little. Thanks to the mild hybrid with integrated starter generator (ISG), boost function and improved injection and charging, power and torque have been further increased. Significantly less noise and vibration bring the smoothness to the level of petrol engines.

- High-tech steel piston: lower thermal expansion and therefore friction compared to aluminum, at the same time even lighter and stronger
- Compact and lightweight all-aluminum design with small cylinder spacing (90 mm), rear camshaft drive, Lanchester balancer shafts arranged to the left and right of the crankshaft instead of underneath
- Innovative stepped-trough combustion process reduces the heat load on individual components, and the air is used even better and the burning speed is increased - for improved efficiency and reduced particle emissions
- 2,200 bar injection pressure (2,700 bar for the 195 kW variant) and 220 bar peak pressure in the cylinder





GLE LWB 450d 4MATIC

The most powerful diesel engine in the history of Mercedes-Benz is receiving an update of its innovative technology components. The engine continues to set a benchmark in terms of driving dynamics and fuel consumption. More than an additional bonus: the six-cylinder in-line engine runs with unsurpassed refinement. The GLE LWB 450 d is upgraded from GLE LWB 400 d. It gives additional power of 27 kW and additional torque of 50 Nm.

- NANOSLIDE[®] cylinder liners like Mercedes-Benz in Formula 1 – reliable lubrication, reduced friction and highly wear-resistant thanks to hard running surfaces with the finest pores for oil absorption
- Water-cooled charger housing and air-water intercooler – for more power and even more agile response
- Two-stage exhaust gas turbocharger, connected in series, the high-pressure charger has a variable turbine geometry - for a convincing, sporty start
- CAMTRONIC variable valve lift on the exhaust side makes exhaust gas purification even more efficient

GLE LWB 450 4MATIC

The M256M engine, which has been improved in terms of power and torque, combines superior driving performance with the pleasant running smoothness of an in-line 6-cylinder petrol engine. The electric additional compressor delivers high torque even at low speeds and the mild hybrid concept with integrated starter generator (ISG) provides additional boost and can help save fuel at the same time.

- bridges the time until the large exhaust gas turbocharger kicks in powerfully and creates an impressive starting experience without any turbo lag
- Dethrottles the exhaust system, the engine reacts more directly to accelerator pedal commands and briefly generates up to 40 Nm of additional torque, for example for overtaking maneuvers
- Crankcase and cylinder head made of aluminum - this is alloyed with zirconium, which dissipates heat even more efficiently - for maximum performance and stability of the engine even at the limit, as well as high durability and reduced tendency to knock
- Highly efficient direct injection system with 350 bar injection hydraulics for optimized fuel consumption and low raw emissions





9G-TRONIC

Let your vehicle take care of changing gears: you will barely notice the gear changes made by the 9G-TRONIC automatic transmission. Nine gears enable low engine speeds, which reduces your fuel consumption and ensures a more pleasant noise level. When you select the Comfort and ECO drive programs via DYNAMIC SELECT, the 9G-TRONIC shifts through the nine gears for you smoothly and efficiently, thus providing optimum ride comfort. In addition, the transmission is also truly sporty: at the press of a button you can experience fast, sporty gear changes while nevertheless frequently driving in the optimum engine speed range.

AIRMATIC package

(Available with GLE LWB 450 4MATIC (AMG Line) and GLE LWB 450d 4MATIC (AMG Line))

In the AIRMATIC Package, an adaptive damping system meets modern air suspension. The result: intelligent comfort suspension which is able to adjust automatically to the driving conditions, speed and load. This allows you to benefit from counterbalancing driving stability with first-class comfort.

- Adaptive damping system: The adaptive damping system reacts sensitively to unevenness. It is adjusted separately for each wheel and forms the basis for comfortable and relaxed travel.
- Level control: The all-round level control enables automatic lowering at higher speeds and in the sporty DYNAMIC SELECT driving programs. The lower centre of gravity improves driving stability. It enhances vehicle dynamics and therefore your driving pleasure. And it reduces wind resistance and therefore fuel consumption. The load detection system ensures a constant suspension level. You can also raise the suspension as required using level control - for example, to increase ground clearance off paved roads.
- Lowering the rear: Lowering the rear makes it easier for you to load and unload heavy or bulky objects. The control element is located directly in the boot.
- Car wash function: You activate the car wash function via the menu of the media display. Your vehicle prepares itself independently for entry into the car wash: The rain sensor is deactivated, the side windows and sunroof close, the exterior mirrors fold in and the body is raised to the maximum level. At the same time, the air conditioning switches to recirculation.





Mercedes-Benz GLE LWB

Design



MULTIBEAM LED

(Available with GLE LWB 450 4MATIC (AMG Line) and GLE LWB 450d 4MATIC (AMG Line))

On the motorway, on country roads or in urban traffic: thanks to intelligent lighting functions, the adaptive MULTIBEAM LED headlamps illuminate the road for you according to the situation, providing excellent visibility. This is because the headlamps react to the current traffic situation with the aid of individually controllable LEDs.

The MULTIBEAM LED headlamps provide you with excellent levels of light and visibility. In addition to the warm-white light quality that is easy on the eyes, the system impresses with its numerous intelligent lighting functions.

Panoramic Sliding Sunroof

The panoramic sliding sunroof provides a genuine open-air ambience. The large area of glass affords interesting views and creates a friendly atmosphere. When driving with the roof open, you will enjoy a refreshing feeling. You can open the electric panoramic sliding sunroof either steplessly or by one-touch function. Or you can use the tilt position – the opening height is then automatically adjusted to the vehicle speed. This allows you to enjoy a pleasant amount of fresh air. Whatever the position: wind noise is effectively minimised. On sunny days, the electric roller sunblind provides welcome shade when needed. When the vehicle is parked, the panoramic sliding sunroof can also be opened and closed from outside – using the vehicle key with the “convenience opening” and “convenience closing” functions.



Mirror Package

You can fold the exterior mirrors electrically and make your vehicle more slender at the touch of a button. Small parking spaces suddenly become big enough. In addition, the interior mirror can register headlamp dazzle from the rear. Depending on the glare and ambient light, it automatically dims steplessly.

EASY-PACK Tailgate

Simply open and close the EASY-PACK tailgate electrically. This makes loading and unloading the luggage compartment even more convenient. You can start the opening and closing process very conveniently at the press of a button and interrupt it at any time by pressing the button again.



EASY-PACK Load compartment cover

A roller blind behind the rear seats protects your luggage from the sun and prying eyes. You can remove the EASY-PACK load compartment cover at any time and store it in the compartment provided under the load floor.



Aluminium-look, illuminated running boards with rubber studs

The aluminum-look running boards are fitted on the side at the height of the longitudinal member and make it easier for you to get in at the front and in the rear. Slip-slip rubber studs ensure a firm foothold.

Velour floor mats

Velour floor mats in the respective equipment colour with matching edging. The velour floor mats are finished and edged in the respective appointments colour, thus ensuring that they blend perfectly into the interior design. In addition, the mats protect the footwell against soiling – they can be removed in a trice to be vacuumed or cleaned.



Interior

Adjust the colour scheme in your vehicle as the fancy takes you. With the ambient lighting system you have a choice of 64 colours, various colour schemes and effects at your disposal. Other highlights come courtesy of the elements in silver chrome plus the upholstery in sleek DINAMICA microfibre and hard-wearing ARTICO man-made leather. With the Ambiance package, the Mercedes-Benz design philosophy of Sensual Purity is brought to life – exclusive materials elegantly blend into the interior.

- Ambient lighting with 64 colours
- Comfort seats upholstered in ARTICO man-made leather

Interior Chrome Package

The Chrome package sets additional noble accents in the interior with selected design elements. Numerous trims are stylishly finished in silver chrome, including the EASY-ENTRY switch, the trim elements in the door panel area and cup holders.

- Control elements and trim strip in the door panel area in silver chrome
- EASY-ENTRY switch in silver chrome
- Controls on left next to the steering wheel in silver chrome
- Hand comfoter, control switches and cup holder in the centre console finished in silver chrome or with silver chrome surround
- Control bar for climate control in silver chrome



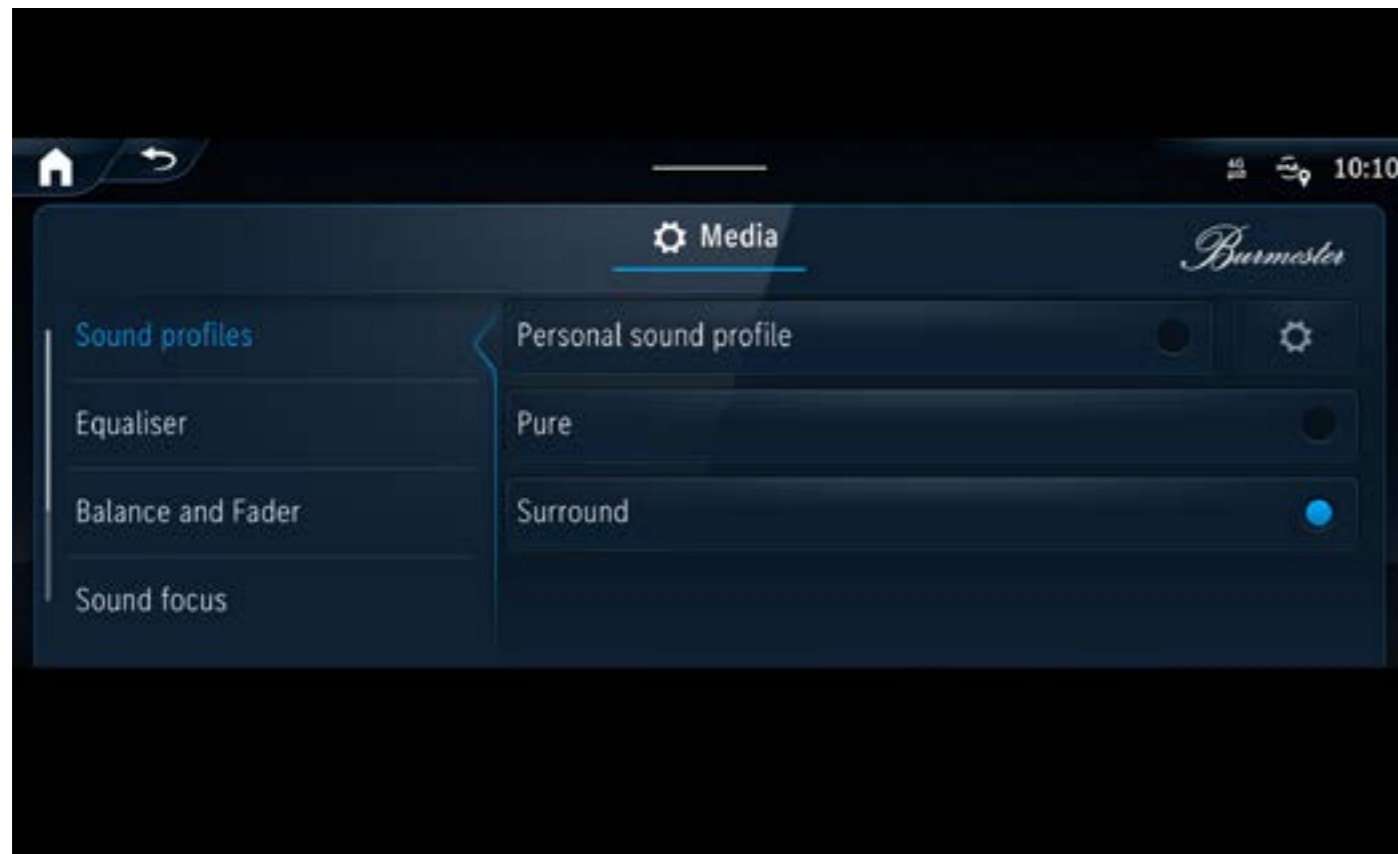
Ambient lighting

Showcase the interior according to your personal preferences or current mood. With a total of 64 colors, the ambient lighting gives you almost unlimited scope for lighting schemes, and has the right color available for any situation. Additional light elements in white help to ensure good orientation.



Dashboard and door beltlines in ARTICO man-made leather

Elegant ARTICO man-made leather outer cover for the instrument panel and beltlines. The instrument panel and the beltlines in ARTICO man-made leather underscore the high quality of the interior. The surfaces look particularly classy and are further enhanced by the topstitching.



Sound Personalization

A digital set-up wizard works with you to determine your music preferences and adjusts the Burmester® sound system to your wishes. It stores the result in a personal profile. This way you can easily achieve your perfect sound setup.

Burmester® surround sound system

With 13 speakers and a system output of 590 watts, you can enjoy the legendary Burmester® sound. The high-performance speakers deliver first-class surround sound. You can optimize this specifically for the front and rear seats to make your listening experience even more intense. For suitable audio formats, Dolby Atmos® technology creates more spatial feeling, clarity and depth. You'll feel as if you were in the middle of the action, experiencing 360-degree sound that goes far beyond the possibilities of mono and stereo.





Brown open-pore walnut wood trim

The trim gives your interior an individual look. It blends in harmoniously while also creating exciting contrasts. As such it reinforces and underscores the interior design. The trim, available only with the AMG line, is an iconic sign of the quality of a meticulously finished premium product.

Multifunction steering wheel in nappa leather

The multifunction sports steering wheel in nappa leather with black control panels will delight you whenever you see and touch it. The soft nappa leather is of very high quality. The steering wheel therefore conveys our passion for high-quality automotive details. Perfect vehicle control: the steering wheel sets the course, and not just on the road surface. It connects you with the vehicle and becomes a control centre. The Touch Control buttons on the left and right operate various navigation, telephony and entertainment functions. Last but not least, they set the speed/proximity control: everything under control without taking your hands off the steering wheel.



Temperature-controlled cup holder

With the temperature-controlled cupholders, cold or warm drinks are always within reach for the driver and front passenger. Holds bottles, cans and mugs up to 0.5 l securely in place in the center console. A temperature of between 8°C and 55°C can be maintained, according to what is required.

4-Zone THERMOTRONIC Automatic climate control

The THERMOTRONIC automatic climate control system with 4 climate zones provides an individual feel-good climate on board. The driver and front passenger are able to set the temperature and air distribution to suit their personal needs. The climatic settings can be stored and retrieved at the touch of a button. THERMOTRONIC comes with further advantages. Firstly: the integral activated charcoal particle filter. This works very efficiently, and besides dust and soot particles also eliminates pollen, harmful substances and unpleasant odours. A sensor for air quality and noxious gases permanently monitors the quality of the exterior air drawn in, and automatically switches to air recirculation mode if pollutant levels rise. Secondly: the residual engine heat function. When making intermediate stops, and at the touch of a button, this uses the waste heat from the engine compartment to warm the interior. Thirdly: the dew point sensor. This measures the absolute air humidity and effectively counters any tendency of the windscreen and front side windows to mist up. 4-zone automatic climate control: allows an individually regulated climate to be set for the driver, front passenger and left and right sides in the rear





Rear comfort package

This package turns the second row of seats into a comfort zone: thanks to the extra soft headrests and armrests, your rear passengers can sit back and enjoy the journey. In addition, the extended centre armrest and centre console offer various shelves and connections - for more order and functionality on board.

- Comfort headrests for the two outer rear seats
- Extravagant padded additional cushions
- Extended comfort centre armrest
- Integrated illuminated storage compartment
- Extended centre console
- Two cup holders

Luxury rear head restraints

With the luxury head restraints your rear seat passengers enjoy first-class seating comfort on every trip. The strain is taken off the head and neck and they are supported thanks to the adjustable side bolsters. Thanks to the angle adjustment and an additional cushion, every passenger can find a comfortable head position.



Wireless Charging Front

Driving time becomes charging time - just drop your smartphone into its allotted place in the oddments tray for wireless charging. Irrespective of the model and brand, compatible smartphones are charged wirelessly.

Additional USB ports

The 2 USB ports in the rear with fast charging power increased to 100 watts, you can quickly supply suitable smartphones, tablets and other devices with power even during short journeys.



Head-up display

(Available with GLE LWB 450 4MATIC (AMG Line) and GLE LWB 450d 4MATIC (AMG Line))

The head-up display transforms your windscreen into a digital cockpit. With the virtual image, you always have important information directly in view. Your full attention remains on the road and the traffic conditions in front of you.



Electrically adjustable rear seats

With the electrically adjustable second seat row you can enjoy convenient flexibility: Extend the luggage compartment quite simply at the press of a button and adjust the rear seats into the desired position. With this equipment your rear seat passengers also benefit from a high degree of individual seating comfort.



Memory Package

The Memory Package provides practical ease of operation – especially when your vehicle is used by different people. Besides seat adjustment, the individual position profiles also comprise the alignment of the steering column and exterior mirrors. After a change of driver or front passenger, your position can be restored at the press of a button.

4-way lumbar support

Adjustment of the seat contour to the lumbar spine with air cushion in 4 adjustment options. The 4-way lumbar support adjusts the seat contour to your lumbar area and provides support. There are 4 possible setting adjustments: higher, lower, weaker or stronger. Your seating position becomes more ergonomic and your back muscles more relaxed.



Seat climate control for driver and front passenger

(Available with GLE LWB 450 4MATIC (AMG Line) and GLE LWB 450d 4MATIC (AMG Line))

The seat climate control for the driver and front passenger includes seat heating and seat ventilation – for an ideal seating climate all year round. On hot days, it offers you a pleasantly refreshing temperature thanks to cooling ventilation. On cold days, the seat cushion and seat back radiate cozy warmth.



Heated front seats

The seat heating quickly brings the seat surfaces and backrests to a comfortable temperature in cooler weather or according to your personal preference. You select the intensity in 3 levels. After some time, the seat heating is reduced automatically.



Mercedes-Benz GLE LWB

Technology



Display styles

You can customise the design and the entire look and feel of the Widescreen Cockpit. There is a choice of four display styles: “Classic”, “Sport”, “Progressive” and “Subtle”. The chosen style tangibly characterises the interior atmosphere, especially in conjunction with the available ambient lighting.



Natural voice control

“Hey Mercedes.” These two initial words start the natural, intuitive LINGUATRONIC voice control system which comes as standard. It reacts to almost every word. The system can even process indirect speech – the air conditioning will respond, e.g. to “I feel cold” and increase the temperature setting. At the same time the voice control also has learning capability. It attunes itself to your voice and thus understands you better.



Touch control concept

MBUX offers users maximum freedom for controlling all functions in the way most comfortable and convenient to them. Whether using voice control or intuitive touch functions. The new GLE LWB comes with the option of a multimedia touch display. There is also a touchpad integrated in the centre console, which responds to single and multi-finger gestures as well as handwriting. Furthermore, the displays can be controlled using Touch Control buttons on the steering wheel.

Hard-Disc Navigation

The high-quality 2D or 3D map displays recommend the ideal lane for your next driving manoeuvre. The system will first determine the route you require. This can be the fastest way or, for example, a toll-free connection. You enter the data as you wish – on the touch screen, or using the touchpad, the Touch Control buttons or LINGUATRONIC. The system even understands you in colloquial language. Say “Hello Mercedes, take me to...” and indicate a desired location. And route guidance promptly starts, right away. Always fully updated: online connectivity automatically updates map data via the mobile network.



Smartphone Integration

Smartphone Integration connects the mobile phone with the multimedia system wirelessly via Apple CarPlay™ or Android Auto™. This gives you convenient access to the most important apps on your smartphone. You can also use apps from third-party providers such as Spotify quickly and easily.



Navigation Services

Wherever you are driving to, you are provided with ideal information. Your vehicle answers your questions about your journey. You can find out about the number of currently available parking spaces or the current weather. This makes planning your trip even easier. Helpful extra: the digital vehicle log* automatically records your journeys if you so wish.

Widescreen Cockpit

Display cluster comprises of two fully digital colour displays in a flat screen look, each with a screen diagonal of 31.2 cm (12.3 inches) and a resolution of 1920 x 720 pixels. Inspirational design meets a fully digital display with flexible presentation options: the Widescreen Cockpit enables information to be truly experienced. The desired content can be positioned individually and the host of functions controlled intuitively thanks to touch technology. With the Widescreen Cockpit, the instrument display and media display form a visual unit. The two fully digital colour displays are combined together beneath a joint glass cover and blend harmoniously into the interior design as a continuous surface area. For the first time, this variant of the media display features a freestanding design without trim cover – as an elegant visual highlight.



Digital Key Transfer

Share your vehicle with friends and family – wherever you are, and easily via the Mercedes me app. You retain control and decide who you leave your Mercedes with. You unlock your vehicle remotely via the app, and activate the stored vehicle key for the user when they are at the vehicle.



MBUX Entertainment

Enjoy your favorite music thanks to preparation for MBUX Entertainment. You can choose from music streaming services and internet radio in your vehicle. You can easily purchase the data package you need through a selected third-party provider. Service availability may vary.



Communication module (LTE) for the use of Mercedes me connect services

LTE communication module for data transmission, including for the use of Mercedes me connect services*, with NTG 7 Telematics & Assistance. The communication module with a vehicle-mounted, LTE-capable SIM card continuously networks you with your vehicle - and the vehicle with the infrastructure such as the Mercedes-Benz server or the Internet. This allows you to use services such as Live Traffic Information* from Mercedes me connect.

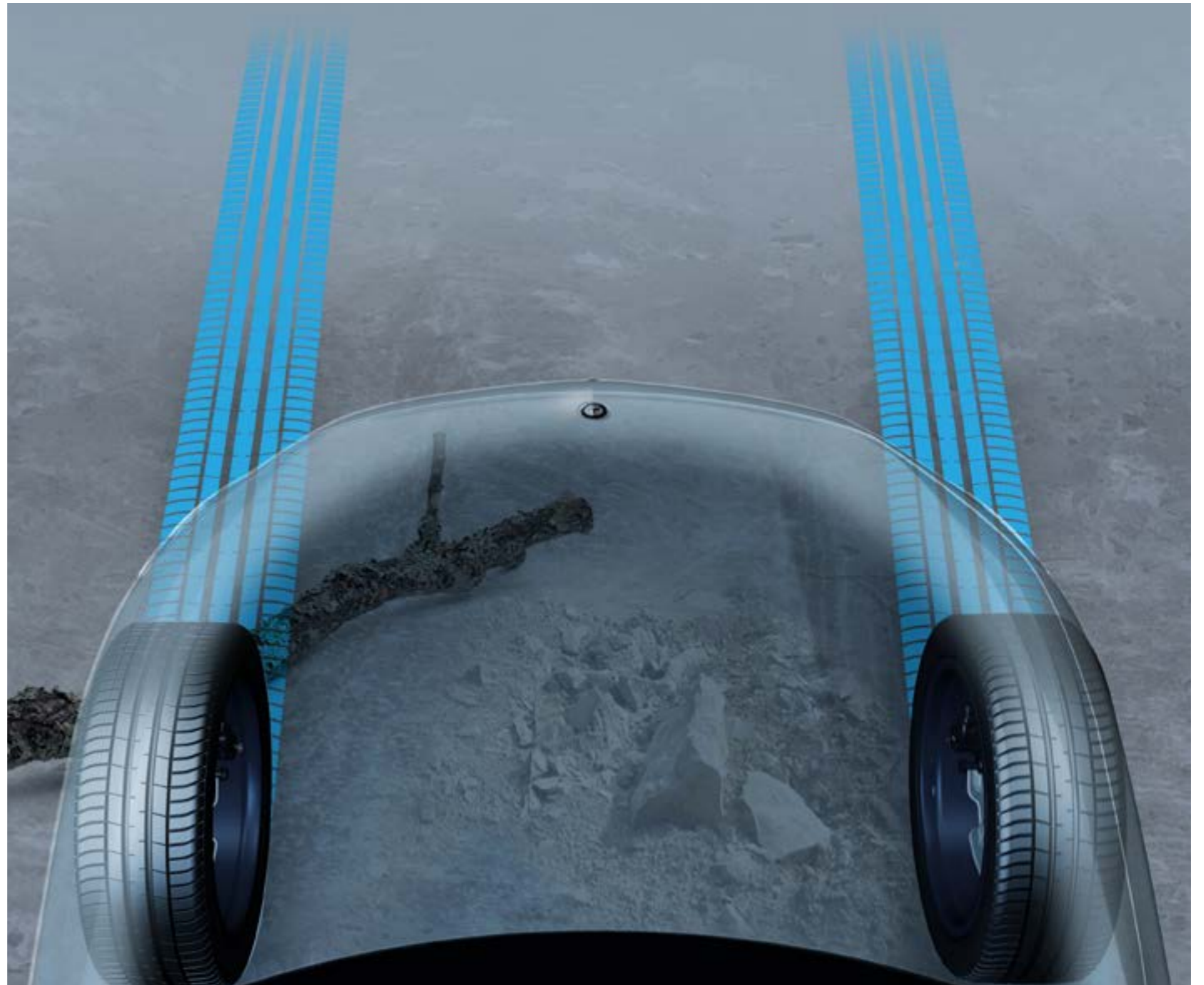
Advanced functions MBUX

Create an emotional connection – a vehicle becomes your vehicle. Because the extended MBUX functions are tailored to you. Say “Hey Mercedes” and MBUX waits for your wishes and learns thanks to the online connection*. Personal profiles*, prediction functions* and a WiFi hotspot completely redefine digital networking.



Transparent Bonnet

Virtual view of the area immediately in front of the vehicle for improved maneuvering on off-road trips. The virtual view shows the area directly in front of your vehicle when driving off-road. This means you can maneuver confidently and avoid obstacles safely – even on rough terrain. Calculated from camera images, the hood appears transparent on the media display. Visualization of the lane helps to choose the optimal route.





USB Charger Sockets

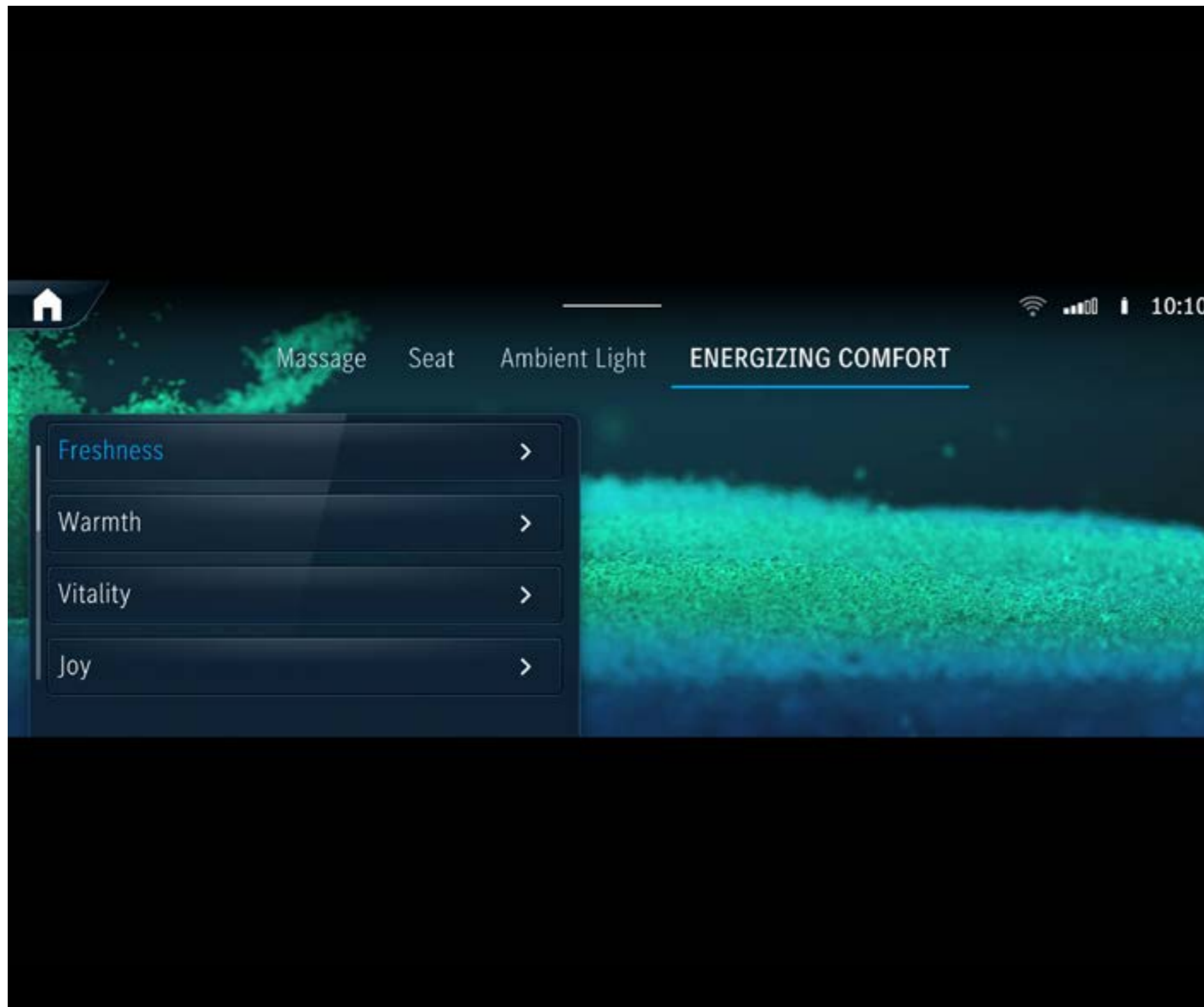
2 USB-C ports in the rear with 100 W charging power for your mobile devices. Thanks to the 2 USB ports in the rear with charging power increased to 100 Watts, you can quickly supply suitable smart-phones, tablets and other devices with power even during short journeys.

Braking system with larger brake disks on the front axle

(Available with GLE LWB 450 4MATIC (AMG Line) and GLE LWB 450d 4MATIC (AMG Line))

Stable brake system incl. perforated brake discs on the front axle and brake callipers with “Mercedes-Benz” lettering. The brake system with larger brake disks on the front axle always grips powerfully even after frequent heavy braking. This means you can rely on stable brakes in all driving situations. The perforation of the brake discs in conjunction with the “Mercedes-Benz” lettering emphasises the dynamic appearance of your vehicle.





ENERGIZING Package

(Available with GLE LWB 450 4MATIC (AMG Line) and GLE LWB 450d 4MATIC (AMG Line))

ENERGIZING comfort control for longer performance, including 4 comfort programmes, ENERGIZING COACH* and seat heating. The ENERGIZING comfort control intelligently bundles various comfort programmes and functions. Your vehicle can vitalise you in a targeted way - for longer performance at the wheel and a pleasant journey.

- **Networked programmes:** The ENERGIZING comfort control can increase your condition security and well-being in monotonous or stressful situations. Depending on the equipment, a total of 4 programmes use e.g. climate control, seat heating, ambient lighting and music. You can start the desired programme via the media display or by voice control.
- **4 ENERGIZING comfort programmes:** The range includes “Freshness” or “Vitality”, depending on the programme with colour-coordinated animations, sounds and blasts of air conditioning. In the “Training” programme, you can make targeted use of breaks in the journey with exercise videos, e.g. to loosen up the muscles. “Tips” for your health can also be listened to while driving.
- **ENERGIZING COACH*:** The software-based service can recommend suitable programmes. For this purpose, ENERGIZING COACH analyses current trip and vehicle data (e.g. traffic situation, trip duration or driver data). With optional networking with compatible wearables (smartwatch or fitness tracker), vital parameters such as sleep quality and stress are also taken into account**.



AIR BALANCE package

(Available with GLE LWB 450 4MATIC (AMG Line) and GLE LWB 450d 4MATIC (AMG Line))

The AIR-BALANCE Package delivers a fascinating experience for the senses and promotes your well-being. You can look forward to a fragrance which matches the character of your vehicle perfectly. Alongside the pleasant fragrancng, the package contributes to enhanced air quality on board.

KEYLESS-GO Comfort Package

Start and lock your vehicle conveniently by simply carrying your key with you. With the HANDS-FREE ACCESS function, you can also open and close the tailgate fully automatically and without touching it.



Mercedes me

Additional Mercedes me connect features

Alexa Home Integration with Mercedes me

connect: Conversations with Alexa are now more fun when the systems connect with your Mercedes Benz via cloud and give you real time updates. This feature can be used from an Alexa Echo device setup at home, office or also from phone's Alexa App. The command starts with "Alexa, Ask Mercedes to..." or directly initiate a command by saying "Alexa, tell Mercedes to <command>".

Google Home integration with Mercedes me connect: Google Home integration is also offered for Google home users. In a similar way, once the Mercedes me connect is linked to Google Home, you can start issuing commands.

Parking location POIs (Points of Interest): The introduction of new Parking solution, shows Parking lots available across different parts of the cities. The Parking POIs (Points of interest) can be seen easily on the navigation system or alternatively also on the Mercedes me App maps section.

Please note that certain services are offered free of cost for a period of three (03) years and may be chargeable at the expiry of three (03) years from the date of activation of such services. If you wish to continue using those services, you may renew the same through Mercedes Me Store (as and when it is available). Please get in touch with your preferred Franchise Partner for more details.

*Please read the disclaimer





Mercedes me connect allows drivers to stay in touch with their vehicles from anywhere in the world and to obtain assistance at the touch of a button.

Mercedes *me*

Vehicle Monitoring

Vehicle Tracker: Track your vehicle from anywhere, as your vehicle's GPS coordinates are seen on your phone App.

Parked Vehicle Locator: It can locate your parked vehicle within a radius of 1.5 kilometres and show you on a map how to make your way back to the vehicle.

Navigation Connectivity package

The combination of the standard-fit communication module (LTE) and the hard-disc navigation makes sure that you always reach your destination as quickly as possible by the best route.

Vehicle Set-Up

Remote Retrieval of Vehicle Status: Information on Mercedes me App or the Mercedes me Portal.

Remote Door Locking and Unlocking: You can conveniently remotely lock or unlock your vehicle from the Mercedes me App.

Speed Alert: Receive an alert if your vehicle exceeds a certain speed.

Send2Car function: Send your address to your vehicle via an app.

Remote Engine Start

Mercedes-Benz emergency call system

The Mercedes-Benz emergency call system can save you vital minutes in an emergency. If an accident is detected, a communications module with its own SIM card automatically triggers an emergency call which could shorten the time until rescue services arrive.

Please note that certain services are offered free of cost for a period of three (03) years and may be chargeable at the expiry of three (03) years from the date of activation of such services. If you wish to continue using those services, you may renew the same through Mercedes Me Store (as and when it is available). Please get in touch with your preferred Franchise Partner for more details.

Mercedes *me*

Vehicle Finder (enables horn and light flashing)

Find your vehicle in large parking lots with ease. Simply blow the horn or flash the headlamps through the app to locate your vehicle

Mercedes me Service app: Your digital assistant

Keep a tab on your Star's maintenance with ease. Get timely maintenance and service reminders. Book a service appointment and search for nearest showrooms with a single touch.

What's more, access expert tips to keep your Star in its best shape with car care videos.

Geo-fencing

Set a perimeter for the car movement and receive notifications in case of vehicle movement beyond the parameter. Hence the feature enables easy monitoring when vehicle is being driven by others.

Windows/sunroof open close from App

Open/Close the windows and sunroof of your Mercedes-Benz remotely through the app. This enables better ventilation before you get into the car.





Mercedes-Benz GLE LWB

Safety



Adaptive Highbeam Assist Plus

Drive with permanent main beam. This virtually turns night into day and takes the strain out of driving. See very far, don't dazzle – the Adaptive Highbeam Assist Plus works according to this motto. The intelligent system spares oncoming traffic or vehicles in front with highly precise LEDs: you do not need to keep on changing over to dipped beam.

Parking Package with 360-degree camera

Optimum parking service on board. Active Parking Assist with 360° camera makes it easier for you to find a parking space and to manoeuvre into and out of parking spaces. The choice is yours: thanks to all-round visibility you can park your vehicle yourself – or have your vehicle parked stress-free.



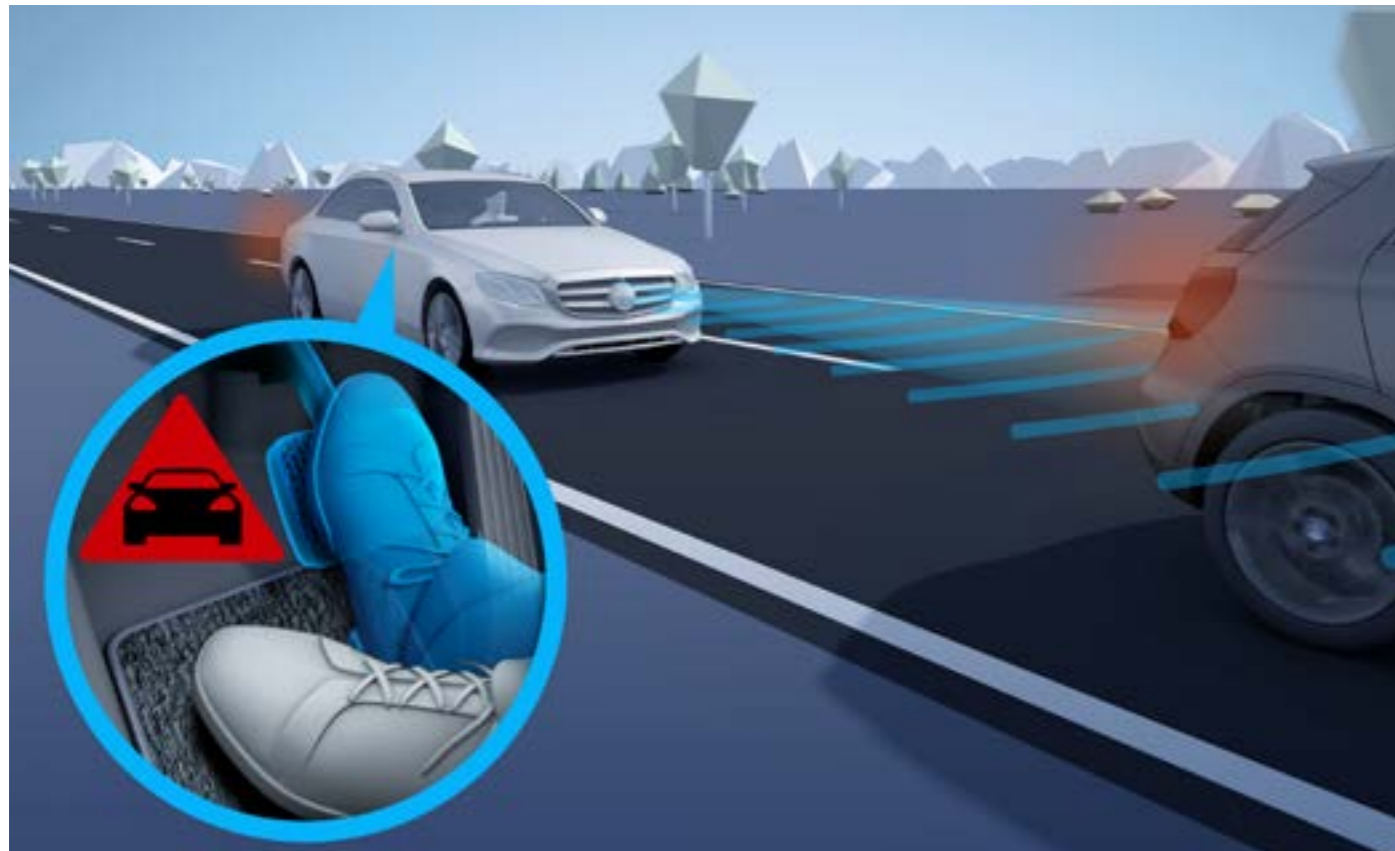
Sidebags in rear

The sidebags in the rear can protect the chest area of passengers on the outer rear seats in the event of a severe side impact. To achieve this, air cushions deploy between the door or the side wall trim and the vehicle occupant. Together with the standard windowbags, they can help prevent injuries or reduce their severity.



Knee airbag

The knee airbag protects your legs from contact with the steering column or dashboard in a severe frontal crash. This can prevent or mitigate the severity of injuries. The air cushion inflates in milliseconds and stabilizes the whole body. This ensures that the entire restraint system including the seat belt work together optimally.



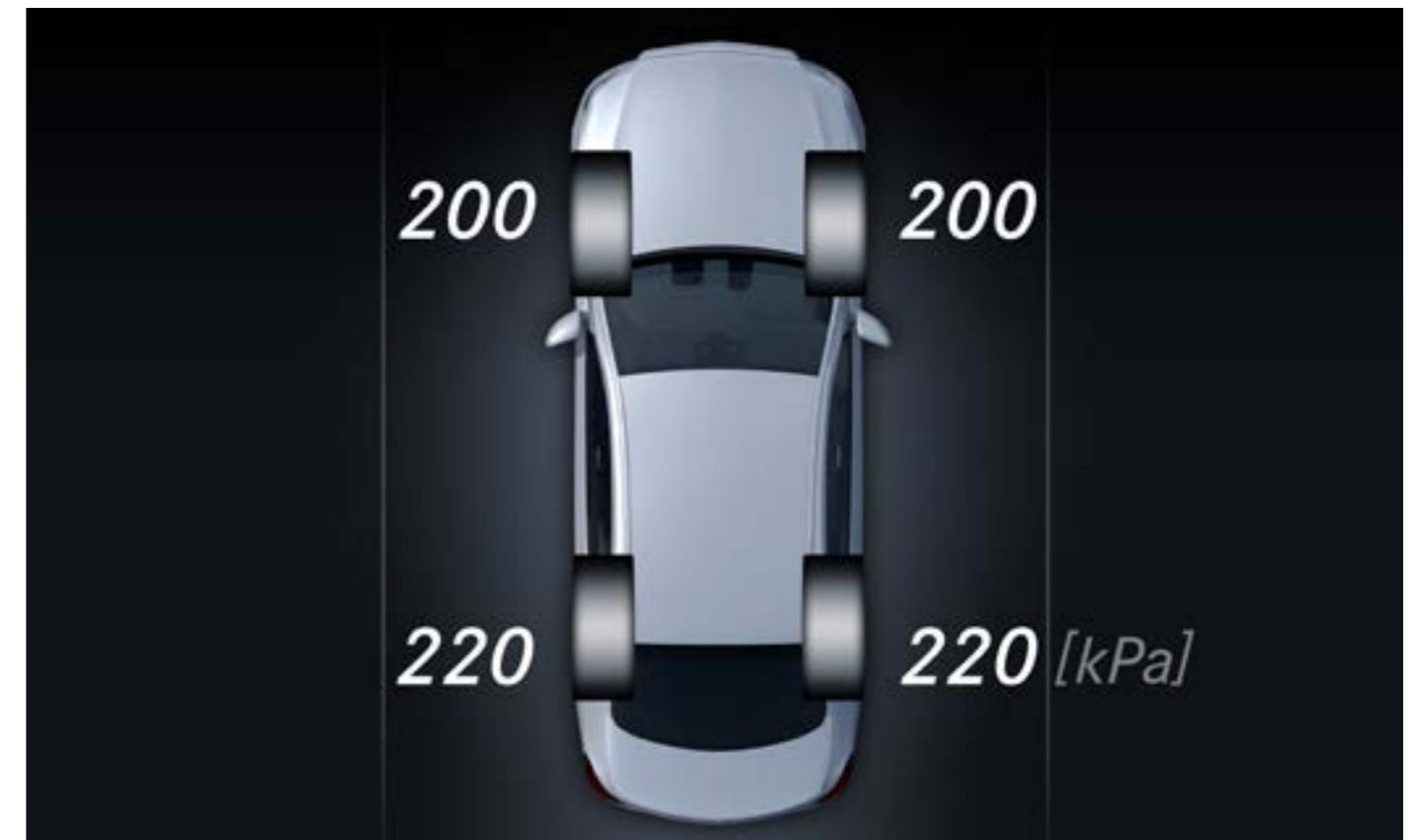
Active Brake Assist

Active Braking Assist can help you to avoid rear-end collisions and accidents with crossing pedestrians and cyclists. Besides distance and collision warning, it also provides situation-dependent brake boosting in the event that you apply the brakes with insufficient force. If you do not react, it is able to initiate autonomous emergency braking.

*Active Brake Assist is only an aid. The responsibility for an adequate safety distance, speed and timely braking lies with the driver of the vehicle.

Tyre pressure monitoring system

The system monitors the tyre pressure for you and provides you with a warning in the event of a drop in pressure. This way you can react more quickly to these hazardous situations. Too low a tyre pressure can also result in longer stopping distances. When the control system notifies you, you should top up the air quickly. Correct tyre pressure additionally increases mileage.



Underguard

The technical underguard can protect the underbody of your vehicle from damage when driving off-road. In addition, it shields the engine compartment and thus effectively reduces soiling.



Blind Spot Assist

Blind Spot Assist takes a very close look for you - in particular as soon as you actuate the turn indicator. The system is thus able to give you a visual and audible warning of side collisions with other road users in the blind spot. After your trip, the system still remains alert and warns you if you open the door at the wrong time.

Paintwork

(Available with GLE LWB 300d 4MATIC)

Polar White



Obsidian Black



Selenite Grey



High-Tech Silver



Sodalite Blue



Paintwork

(Available with GLE LWB 450 4MATIC (AMG Line) and GLE LWB 450d 4MATIC (AMG Line))

Polar White



Obsidian Black



Selenite Grey



High-Tech Silver



Sodalite Blue



Upholstery



ARTICO man-made leather black

(Available with GLE LWB 300d 4MATIC, GLE LWB 450 4MATIC (AMG Line) and GLE LWB 450d 4MATIC (AMG Line))



ARTICO man-made leather macchiato beige black

(Available with GLE LWB 300d 4MATIC, GLE LWB 450 4MATIC (AMG Line) and GLE LWB 450d 4MATIC (AMG Line))



ARTICO man-made leather Bahia brown black

(Available with GLE LWB 450 4MATIC (AMG Line) and GLE LWB 450d 4MATIC (AMG Line))

Trim Options



Brown open-pore walnut wood trim
(Available with GLE LWB 450 4MATIC (AMG Line) and
GLE LWB 450d 4MATIC (AMG Line))



High-gloss brown line structure lime wood trim
(Available with GLE LWB 300d 4MATIC)

Alloy Wheels



48.3 cm (19-inch) 5-spoke light-alloy wheels, aerodynamically optimised, painted black with a high-shine finish.

(Available with GLE LWB 300d 4MATIC)



50.8 cm (20-inch) AMG 5-twin-spoke light-alloy wheels painted tremolite grey with a high-shine finish.

(Available with GLE LWB 450 4MATIC (AMG Line) and GLE LWB 450d 4MATIC (AMG Line))

Genuine Accessories



AMG valve caps, with Affalterbach badge – Black

(Available only with GLE LWB 450 4MATIC (AMG Line) and GLE LWB 450d 4MATIC (AMG Line))

AMG valve caps as a highlight of high-quality light-alloy wheels. By using anodising aluminium they are very light and available in two colours. Thanks to the inlay made from ABS plastic they are suitable for all valves (including tyre pressure monitor). The additional rubber seal protects the valve against dirt; the polyurethane lens with UV filter protects against fading.



AMG hub cap, with AMG emblem, set of 4

(Available only with GLE LWB 450 4MATIC (AMG Line) and GLE LWB 450d 4MATIC (AMG Line))

Exclusive design in aluminium, embossed with the traditional AMG emblem
– a highlight for your AMG light-alloy wheels.

Information for retailers:

- for all light-alloy wheels with standard hub cap
- can be fitted without the use of tools

Genuine Accessories



AMG door pin, round

(Available only with GLE LWB 450 4MATIC (AMG Line) and GLE LWB 450d 4MATIC (AMG Line))

AMG door pin in high-quality stainless steel. A small individual touch that makes a big difference to the interior. Suitability for front/rear doors depends on model series.



LCD projector, With animated Mercedes-Benz pattern

(Available only with GLE LWB 450 4MATIC (AMG Line) and GLE LWB 450d 4MATIC (AMG Line))

With the LCD projector with an animated Mercedes-Benz pattern every Mercedes-Benz turns into a visual highlight before you get in. The two-piece set projects an animation of the brand pattern onto the ground next to the opened driver or front passenger door and is automatically activated when the door is opened. The LCD projector also automatically deactivates after max. 600 seconds. Depending on the vehicle, the set is also available for the rear doors, making it possible to conveniently get in and out thanks to additional light. The LCD projector does not simply replace the standard exit lights in the doors, but also stages an appealing eye-catcher in dark conditions. We recommend installation by a Mercedes-Benz dealer.

Genuine Accessories



Sports pedals in stainless steel, automatic models, with rubber studs

(Available only with GLE LWB 450 4MATIC (AMG Line) and
GLE LWB 450d 4MATIC (AMG Line))

Sports pedals in stainless steel. High-sheen stainless steel pedals with non-slip stud panel. For a sporty look – the pedal covers, in brushed stainless steel, add a sporty, high-quality touch to the interior. The genuine parts feature a non-slip rubber stud inlay and comply with Mercedes Benz’s safety standards.



Hub cap, raised star, for countersink diameter 66.8mm

(Available with all the variants)

A Mercedes-Benz hub cap provides a stylish finish for light-alloy wheels. Keeps the hub clean. Various designs available. For all Mercedes-Benz wheels. An elegant turn: a Mercedes-Benz hub cap always adds a stylish finishing touch to light-alloy wheels. Attractive and practical: the hub caps protect the hub from dirt. The choice is yours: available in various versions and matching all Mercedes-Benz wheels. It’s all about design in your Mercedes-Benz.

Genuine Accessories



All-season floor mats **Dynamic Squares, rear, Set of 2**

(Available with all the variants)

Made from robust, washable synthetic material for heavy use. New three-dimensional design with recessed and elevated areas and raised border. Floor mats have to undergo rigorous testing before they are deemed worthy of the star logo: durability, fade-resistant colour and a neutral odour, even after three winters of use, are all specifications which must be met without compromise. The mats are precision-tailored to your Mercedes-Benz using the vehicle's original CAD data.



Velour floor mats **CLASSIC, set, 4-piece**

(Available with all the variants)

Elegant, high-quality tufted velour mats, featuring metal badge with Mercedes-Benz lettering. Available in various colours to match your interior. Floor mats have to undergo rigorous testing before they are deemed worthy of the star logo: long durability, fade-resistant colour and a neutral odour, even after three winters of use, are all specifications which must be met without compromise. The mats are precision-tailored to your Mercedes-Benz using the vehicle's original CAD data. Can be clip-fastened to the floor to prevent slipping

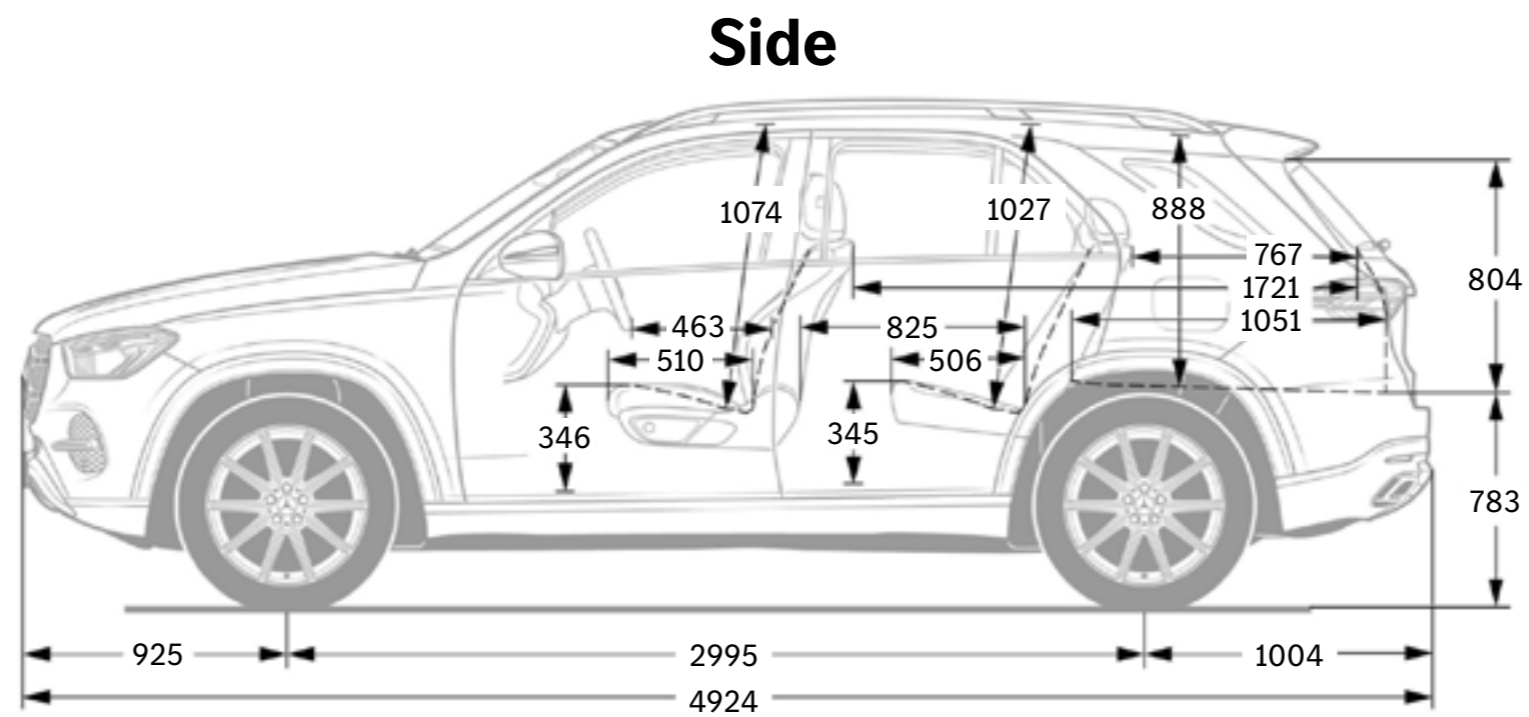
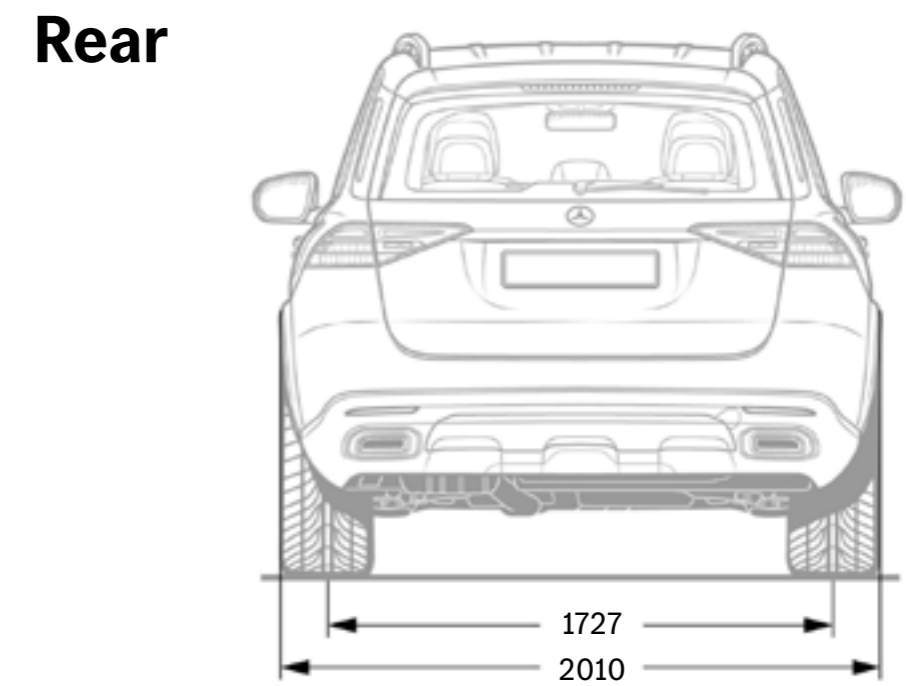
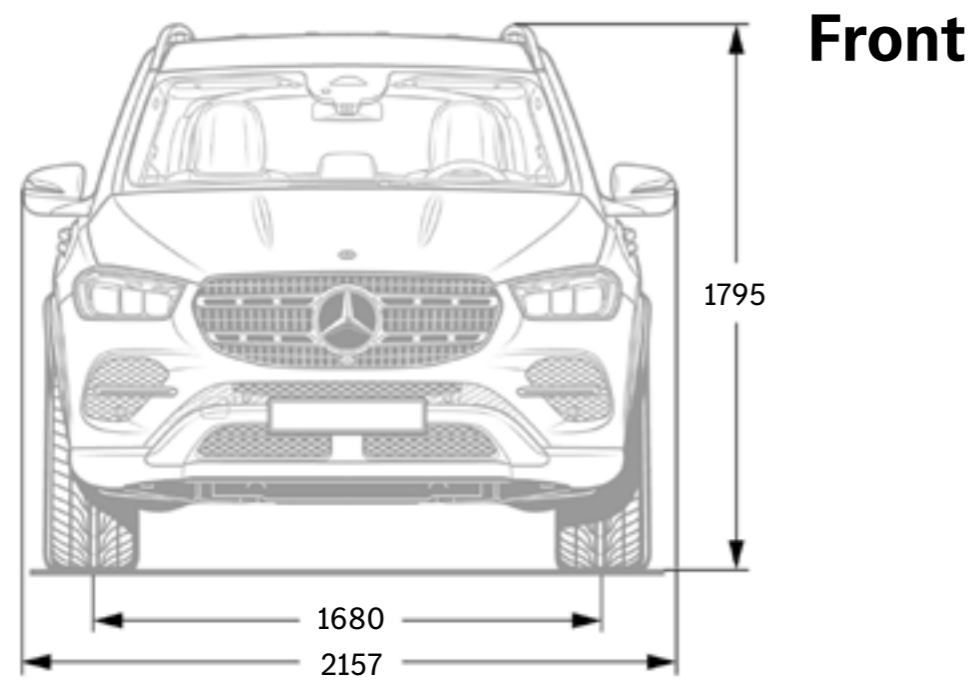
Technical Data

	GLE LWB 300d 4MATIC	GLE LWB 450 4MATIC (AMG Line)	GLE LWB 450d 4MATIC (AMG Line)
Total Displacement	1993cc	2999cc	2989cc
No. of Cylinders	4	6	6
Rated Output	198kW (269hp) @ 4200 rpm	280kW (381hp) @ 5800-6100 rpm	270kW (367hp) @ 4000 rpm
Rated Torque	550Nm @ 1800 - 2200 rpm	500Nm @ 1800 - 5000 rpm	750Nm @ 1350 - 2800 rpm
Transmission	9G-TRONIC	9G-TRONIC	9G-TRONIC
Acceleration	6.9s	5.6s	5.6s
Top Speed	230 km/h	250 km/h	250 km/h

The integrated starter alternator (ISG) electrically supports the combustion engine in certain operating states with up to 15 kW of additional power and up to 200 Nm more torque. You will particularly notice this benefit when you accelerate. On the other hand, electric support of the combustion engine also brings fuel consumption advantages. The ISG operates with a separate 48 V on-board electrical system.

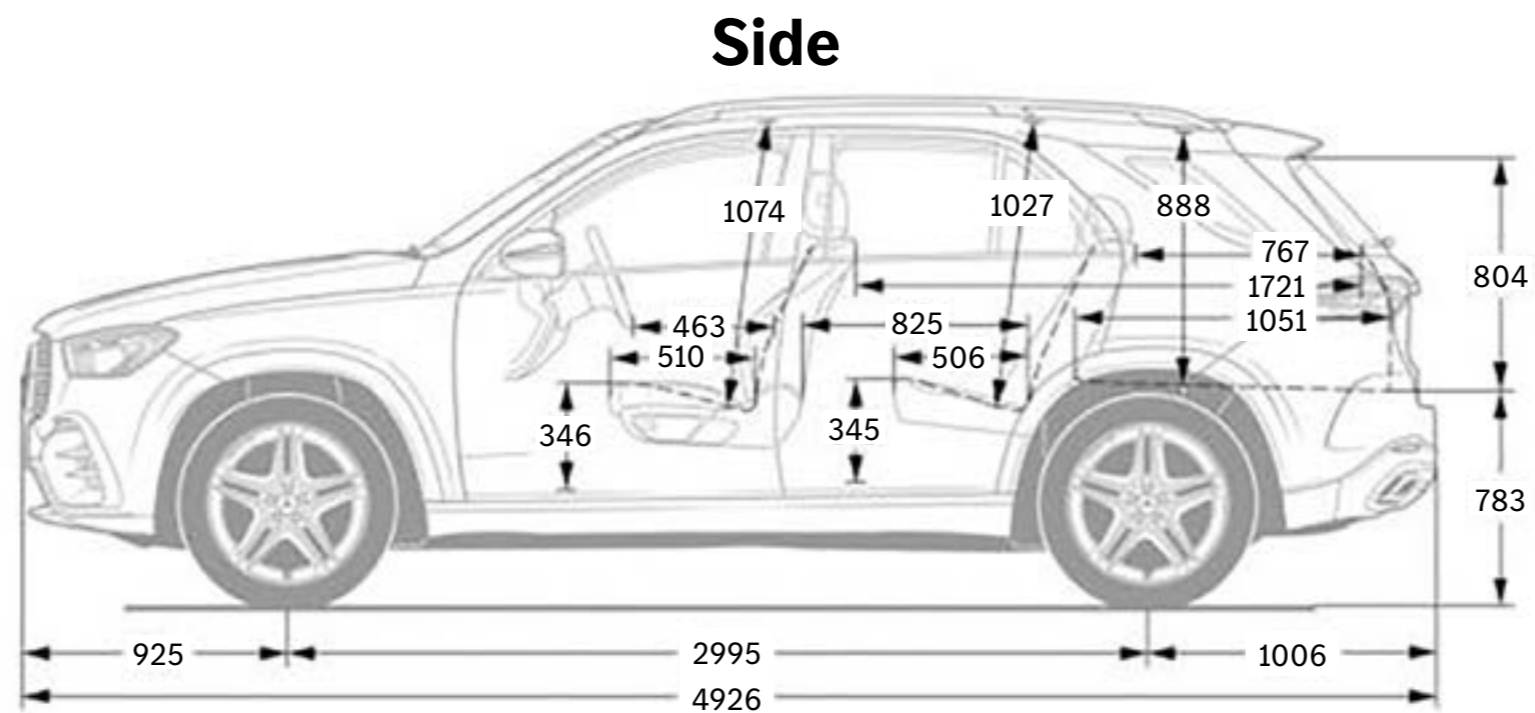
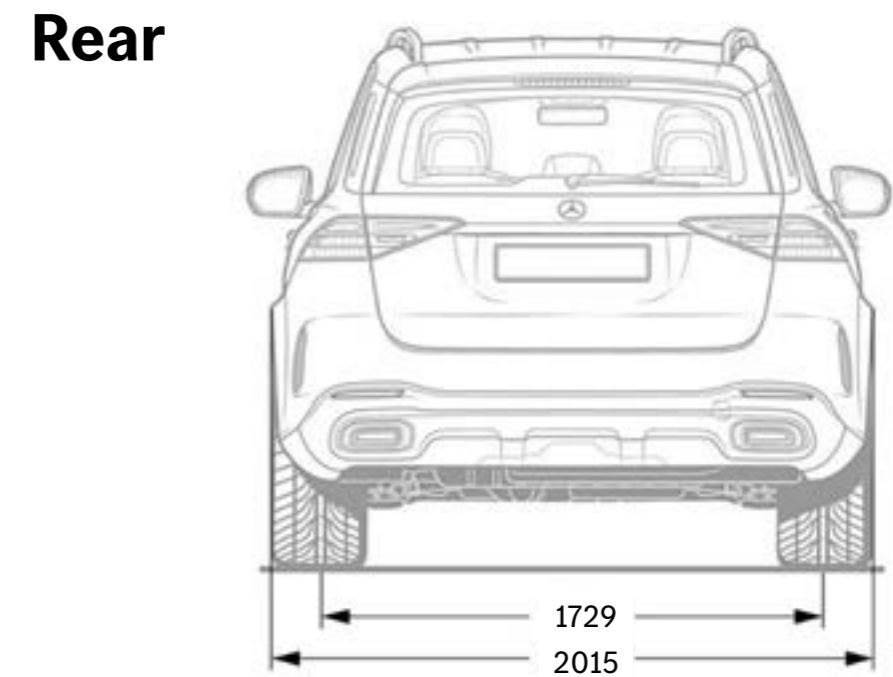
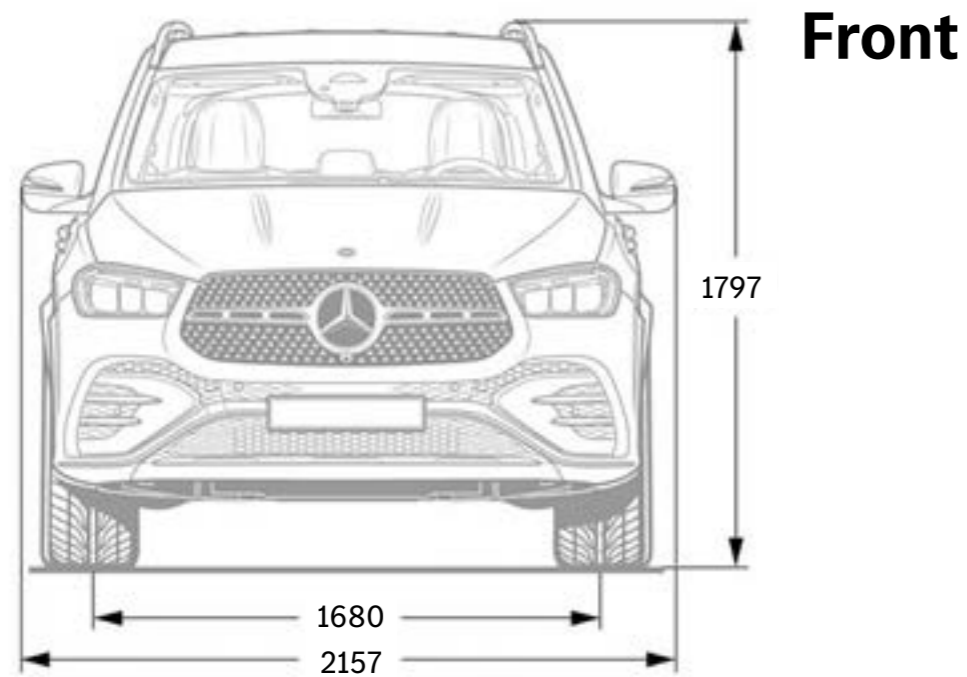
Dimensions

(Available with GLE LWB 300d 4MATIC)



Dimensions

(Available with GLE LWB 450 4MATIC (AMG Line) and GLE LWB 450d 4MATIC (AMG Line))





Mercedes-Benz Services

Advance Assurance Program

Extending your warranty coverage

With Advance Assurance Program, experience complete peace of mind. While this Extended Warranty Program kicks in the moment your standard 3 years warranty comes to an end, it can be extended further up to 6 years at a nominal price. Also, it comes with a bouquet of privileges for a worry-free time with your Star.

Star Ease

Delivering the best-in-class value

Servicing your Star does not get any better than this. With the STAR Ease Maintenance Packages, pay a defined cost of maintenance based on the model, contract period and mileage and say goodbye to spending on service every time. Plus, enjoy exclusive features like priority handling, shorter waiting time and quicker processes.

Mercedes-Benz Services

Mobilo

Providing you 24x7 mobility support

Your vehicle comes with Mobilo which provides round-the-clock on-road assistance service. Mobilo comes as a standard for 3 years and can be extended further up to 8 years at a nominal cost. This service offers privileges like vehicle towing facility, replacement vehicle, hotel accommodation, just to name a few.

Digital Service Drive

Ensuring convenience and transparency of service.

Servicing your Star is the last thing you will ever have to worry about. We provide transparent, convenient and hassle-free service. Our customer-friendly service features work around your busy schedule so that you have one less thing to focus upon.





Mercedes-Benz Services

Mercedes-Benz Genuine Parts**

Now with 2 years of warranty

Mercedes-Benz Genuine Parts are crafted to the state-of-the-art standards of Mercedes-Benz, protecting your vehicle's performance while maintaining the style, comfort and safety, for the years to come. Also, they come with a warranty of up to 2 years, ensuring you a peaceful ownership experience with your Star.

**Terms and Conditions apply.

Premier Express Prime*

Because we value your time as much as you do

Life gets busy and so we have designed Premier Express, our vehicle care service to help you get in and out quickly. While the visit will be brief, the service offered by our technicians will be comprehensive and complete. All to ensure your Mercedes-Benz is running for miles to come.

*Available at selected locations and will be expanded to more locations.

Mercedes-Benz Services

Mercedes-Benz Approved Tyres and Alloys

Ensuring every ride is a safe and joyful one

Maximise the safety and comfort of your Star with Mercedes-Benz approved tyres and rims. While the Mercedes-Benz approved tyres are designed to optimally match your car's performance, the Mercedes-Benz approved rims are designed to lend an exceptional style to the exterior of your Star and are also engineered for optimal performance.

Mercedes-Benz Genuine Chemical Products

Because your Star deserves nothing but the original

Mercedes-Benz Genuine Chemical Products are specially tested for compatibility with the materials in our cars and meet the high quality standards. Also, our products have been approved under Mercedes-Benz Group AG's strict, self-imposed environmental norms. Now with Mercedes-Benz Genuine Chemical Products, experience a whole new world of superior products that support throughout the car's life cycle.





Mercedes-Benz India Private Limited: E-3, MIDC Chakan - Phase III, Chakan Industrial Area, Kuruli & Nighoje, Tal: Khed, Pune - 410 501 (India) Toll free No.: 0008000501888. e-mail: cs.ind@cac.mercedes-benz.com, website: www.mercedes-benz.co.in Please note: This brochure is intended for general information, description and illustration of the Product including optional functions and equipment and may not be specific to a Product since specification of a product may change from time to time. Optional features, functions and equipment etc. may not be present in the Standard or Variant Product or Special Edition Product. Further, Standard specifications of a product may also vary from time to time. Colours may differ from those shown in pictures in the brochure. Mercedes-Benz India reserves the right to make changes without prior notice, in design, colours, materials, components, equipment, specifications, features, functions, make and models etc. The information given in this brochure shall be regarded as accurate at the time of launch and may vary thereafter due to any developments or any other reason. Interested customers should reach out to the Authorised Franchise Partner for further information on the exact specifications, features of the product.

Images shown are for representation purposes only. Some of the vehicles in the Brochure are left hand drive wheel. However, Mercedes-Benz India only manufactures and sells vehicles as per the applicable motor vehicle regulations in India. All vehicles sold by Mercedes-Benz Authorized Franchise Partners shall be with right hand drive wheels only. All title, ownership rights and intellectual property rights in and relating to this brochure/magazine or publication material or any copies thereof including but not limited to copyright, logos, names, trademarks, service marks, design, text, images, links, concepts and themes are owned by Mercedes-Benz Group AG and/or its subsidiaries collectively or used under authorised license by the Mercedes-Benz Group AG. Any reproduction, transmission, publication, performance, broadcast, alteration, license, creation of derivative works or other use in whole or in part in any manner without the prior written consent of Mercedes-Benz India Pvt. Ltd is strictly prohibited. Please note that certain services are offered free of cost for a period of three (03) years and may be chargeable at the expiry of three (03) years from the date of activation of such services. If you wish to continue using those services, you may renew the same through Mercedes Me Store (as and when it is available). Please get in touch with your preferred Franchise Partner for more details. Mercedes-Benz cars: The GLE LWB meets Bharat Stage VI equivalent emission norms.
CIN - U34102PN1994PTC083160