

# The new Mercedes-Benz GLA.



Mercedes-Benz





Dynamic all the way.



Sporty from every perspective.



Mercedes-Benz GLA

# Engine



## Petrol (GLA 200)

A win-win situation is achieved courtesy of the numerous hightech coatings: they enhance efficiency and reduce wear and tear.

### Key features:

- A turbocharger controls the charge pressure electronically – more flexibly, more quickly and more precisely, primarily in the partial load range
- Air-cooled charge air cooler: increases air density and thus, performance
- Complex coating system, including extremely hard cylinder barrels featuring NANOSLIDE® technology (iron-carbon): they provide for ideal lubrication, reduce friction and form the basis for low wear
- Piston rings with DLC (diamond-like carbon): diamond-like carbon is extremely abrasion-resistant and dissipates heat excellently
- Pistons with friction-reducing coating made of graphite/ carbon fibres, among other materials – this also protects the material and reduces consumption

## Diesel

(GLA 220d 4MATIC)

The diesel engines of the latest generation give a lot but take little. This is thanks to their particularly light, compact design and minimal frictional losses. Significantly less noise and vibrations bring the level of refinement virtually to that of petrol engines.

### Key features:

- NANOSLIDE®: ideal lubrication, reduced friction and maximum wear resistance thanks to extremely hard cylinder contact faces with minuscule pores for oil absorption
- Plastic engine mounts: quieter and less vibrations
- Optimised airflow to the intake and exhaust sides: less noise generation
- All-aluminium construction with low cylinder spacing (90 mm), camshaft drive at the rear, Lanchester balancer shafts on the left and right positioned next to the crankshaft instead of beneath it: exceptionally compact and light design
- High-tech steel pistons (tested in the fields of commercial vehicles and motor racing): lower thermal expansion and thus friction compared with aluminium, at the same time even lighter and more robust
- Turbochargers with adjustable turbine blades (to control the air volume) and injection pressure up to 2050 bar: superior torque build-up
- Common rail direct injection (4th generation): highly efficient mixture formation thanks to directly controlled piezo injectors (up to seven injections per power stroke)





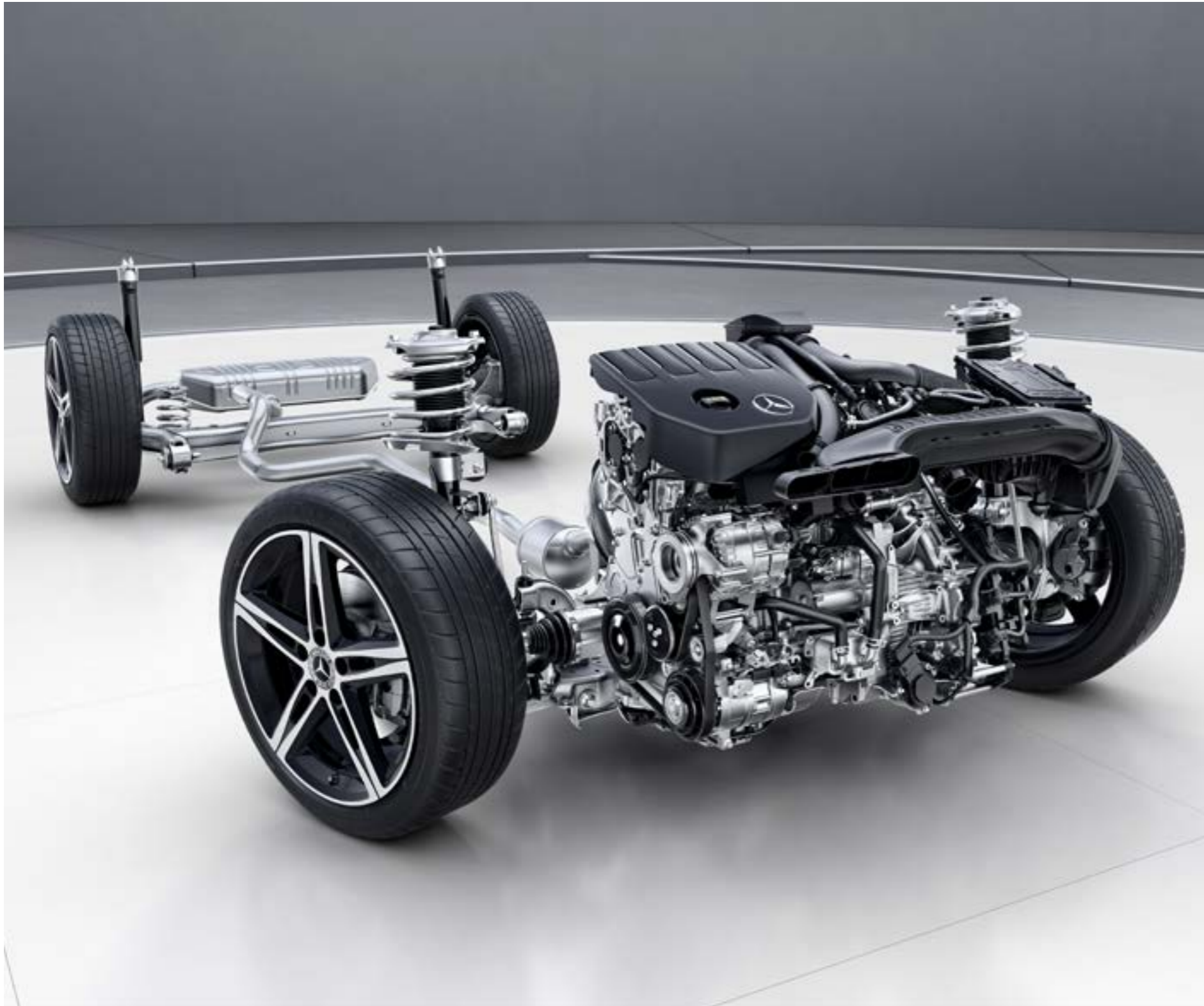
## 7G-DCT (with GLA 200)

Automatic transmission with 7 gears and various driving programs for efficient, comfortable or sporty driving. With the dual clutch transmission you can accelerate quickly and without interruption. The next gear is always preselected. The driving programs adapt the character of the 7G-DCT to your wishes.

## 8G-DCT (with GLA 220d 4MATIC)

Automatic transmission with 8 gears and various driving programs for efficient, comfortable or sporty driving. With the driving program you also change the characteristics of the dual clutch transmission. It uses the 8 gears either for efficient driving at low speeds or for impressive dynamics. Because the next gear is always preselected, you accelerate without interruption.





## Comfort Suspension

Comfortable chassis for a balanced ride and sporty potential. High comfort on long stretches of motorway, sporty potential when cornering: The comfort chassis combines attractive suspension reserves with very good driving stability. This balanced combination makes your ride safer and makes driving more fun.





Mercedes-Benz GLA

---

# Design



## Progressive Line

(Available with GLA 200 and GLA 220d 4MATIC)

Stylish, modern line, visible tailpipe trims and roof rails in polished aluminum. With the Progressive equipment line you can set specific highlights:

- Radiator trim with central Mercedes star and individual slats in gray, Inlays in chrome, Accents in high-gloss black
- Front apron with gray trim
- Side sill paneling grained black with chrome trim
- Polished aluminium roof railing
- Simulated underguard at front and rear in chrome
- Visible tailpipe trims in chrome

## AMG Line

(Available with GLA 220d 4MATIC)

Other elements in the interior such as the sports seats and the multifunction sports steering wheel in nappa leather reinforce this overall impression. The larger braking system supports sporty driving.

- AMG front apron with front splitter in vehicle colour with chrome trim element
- Side sill panels in grainy black with insert in chrome
- Wheel arch liner in the vehicle colour
- AMG rear apron with visible tailpipe trim and trim element in chrome
- Radiator shell as diamond grille with pins in chrome central Mercedes star
- Single louvre in matt grey with insert in chrome and accents in high-gloss black
- Beltline and windowline trim strip in high-gloss aluminium





## Panoramic sliding sunroof

The panoramic sliding sunroof is a wonderful way to feel free and create an interior atmosphere that is bright and pleasant. When viewed from the outside, the large sliding sunroof likewise makes a unique visual impression, as it lends lightness and exclusivity to the exterior. It includes:

- Large glass module made of heat-insulating, tinted safety glass
- Mesh wind deflector in the front area
- Electric sun blind with one-touch operation
- Automatic rain closing function

## Roof rails in polished aluminum

The roof rails serve as an “on top” transport option: you can mount various roof rack systems conveniently and safely on them. Thanks to their high-quality polished aluminium finish, in addition to being practical they are also certainly a design feature.

## LED High Performance headlamps

LED headlights with a long beam range, also long-lasting, efficient and with light that is gentle on the eyes. The LED high-performance headlights illuminate the road with a wide beam and pleasant warm white light much more precisely and generously than conventional halogen or bi-xenon headlights. For you this means: better visibility and therefore more safety.

### Components:

- Dimmed headlights with LED projection technology
- High beam with LED reflection technology
- Daytime running light, Position light and Direction indicators in LED technology
- Adaptive full LED rear lights with automatic adjustment of the light intensity to the environment



## Multifunction sports steering wheel in leather (Available with Progressive line)

Sporty leather steering wheel in a 3-spoke design, with black grained steering wheel shift paddles and touch control panels. The elegant leather cover makes the multifunction sports steering wheel a highlight in the interior. You can control the most important vehicle functions using the touch control panels without having to take your hands off the steering wheel.



## Multifunction sports steering wheel in nappa leather (Available with AMG line)

Sporty steering wheel in nappa leather and in a 3-double-spoke design, with galvanized steering wheel shift paddles in silver chrome and touch control panels. The multifunction sports steering wheel in nappa leather is flattened at the bottom and deeply embossed in the grip area - an excellent prerequisite for sporty driving. You can control the most important vehicle functions using the touch control panels without having to take your hands off the steering wheel.



## Fully digital instrument display

Individually configurable digital instrument display with a 10.25" screen diagonal. Expand your cockpit with a digital instrument display in 10.25" format. Here you decide for yourself which information is particularly important to you, because the display content can be individually configured with different contexts. You can also choose from 3 attractive display styles.

## Central media display

The high-resolution media display connects you to your vehicle in large format (10.25"). It reacts to your input in a touch-sensitive manner. Symbols make operation easier. Digital displays, the latest generation of steering wheel and the intelligent MBUX infotainment system: the state-of-the-art technologies integrate harmoniously into the interior concept. The high-resolution media display sits in a central position on the instrument panel.





## Ambient lighting

The ambient lighting provides a suitable lighting scenario for you with a total of 64 colors – entirely according to your personal preference. For example, 10 fascinating color worlds set the ventilation nozzles, doors or the dashboard in an emotional light. Illumination of the piping on the dashboard above the decorative element and in the doors, additionally when selecting AMG Line or Progressive. In all color worlds, the colors can alternate spectacularly in dynamic mode if desired. You can also adjust the brightness of the LEDs variably - in 10 levels and 4 zones. A lighting display welcomes you as you enter. The air conditioning uses the ambient lighting to indicate in color whether you set the temperature warmer or colder.





## Comfort Seats

(Available with Progressive line)

Comfortable seats with luggage net on the driver and passenger sides as well as folding seat backs in the rear in a 40/20/40 ratio. The comfort seats are fully adjustable in length and height. You can also change the angle of the seats and even extend them on the driver's side. The nets attached to the back of the backrest are used for quick storage.

## Sports Seats

(Available with AMG line)

Sporty, side-supporting seats with luggage nets on the driver and front passenger backrests and foldable rear seat backrests. The sports seats optimize lateral support for dynamic driving and at the same time offer unrestricted comfort for everyday life. Nets on the back of the backrest are used for quick storage.





## Storage compartment in center console with roller blind

Practical storage compartment in the center console with roller blind for everyday items. Typical everyday items such as mobile devices, wallets or various keys fit into the practical storage compartment in the center console. Thanks to the elegant roller blind, the interior remains clear.

## Double cup holder

Removable cup holder in the front center console. With the double cup holder in the front area of the center console, you always have your drink within reach. Securely attach 2 bottles or cups there. If you remove the double cupholder, you can add a large storage area to the interior.



## Velor floor mats

(Available with Progressive line)

Black velor floor mats with decorative stitching in the respective equipment color. The velor floor mats are black and have elegant decorative stitching in the respective equipment color. This means they fit perfectly into the interior design. The mats also protect the footwell from dirt - they can be removed, vacuumed or cleaned in no time.

## AMG floor mats

(Available with AMG line)

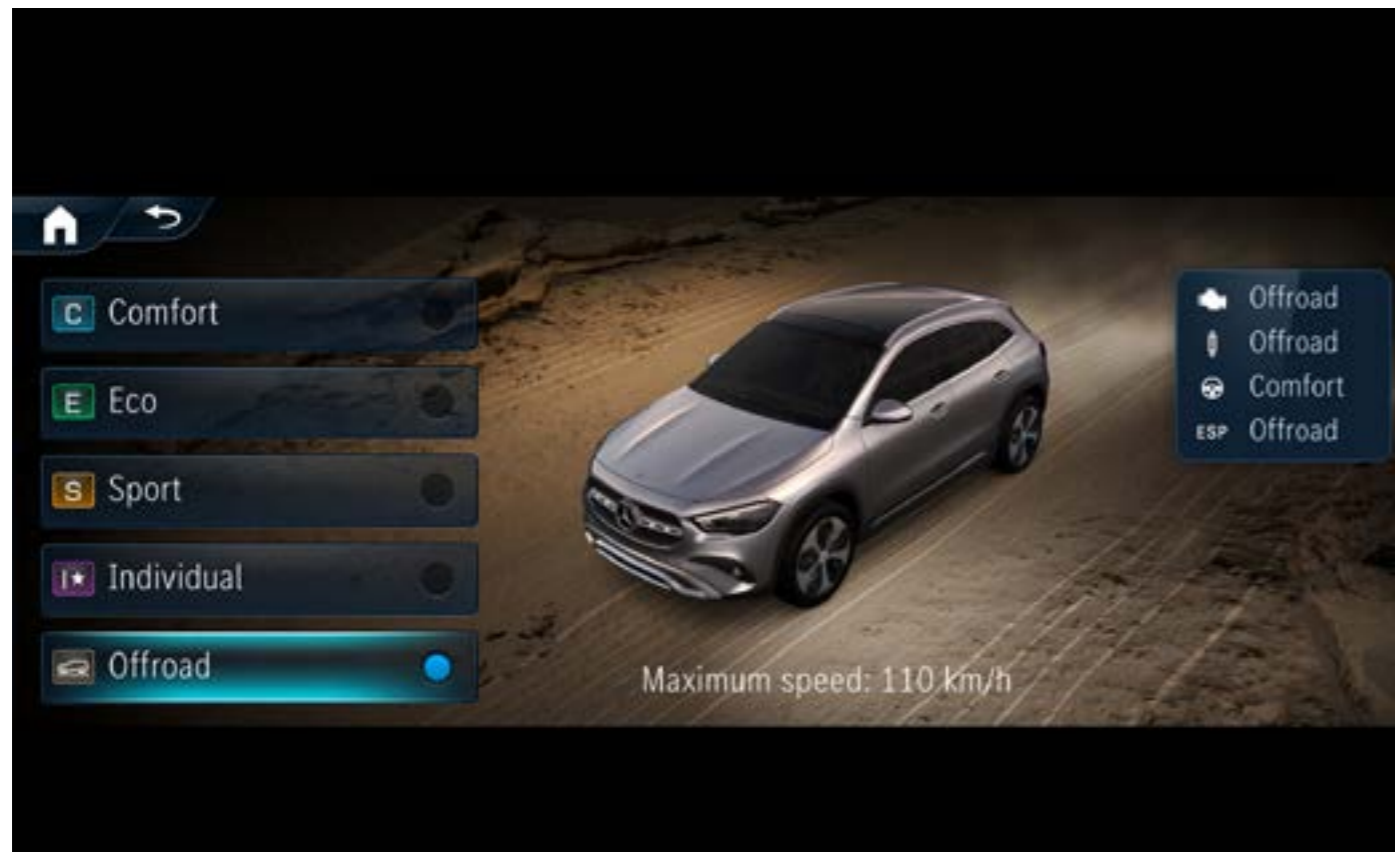
Black velor floor mats with “AMG” lettering. The AMG floor mats complement the overall sporty impression of your vehicle. They are made of durable black velor, protect the footwell from dirt and are easy to clean. Details such as the “AMG” lettering reinforce the effect.





Mercedes-Benz GLA

# Technology



## Off-road technology package

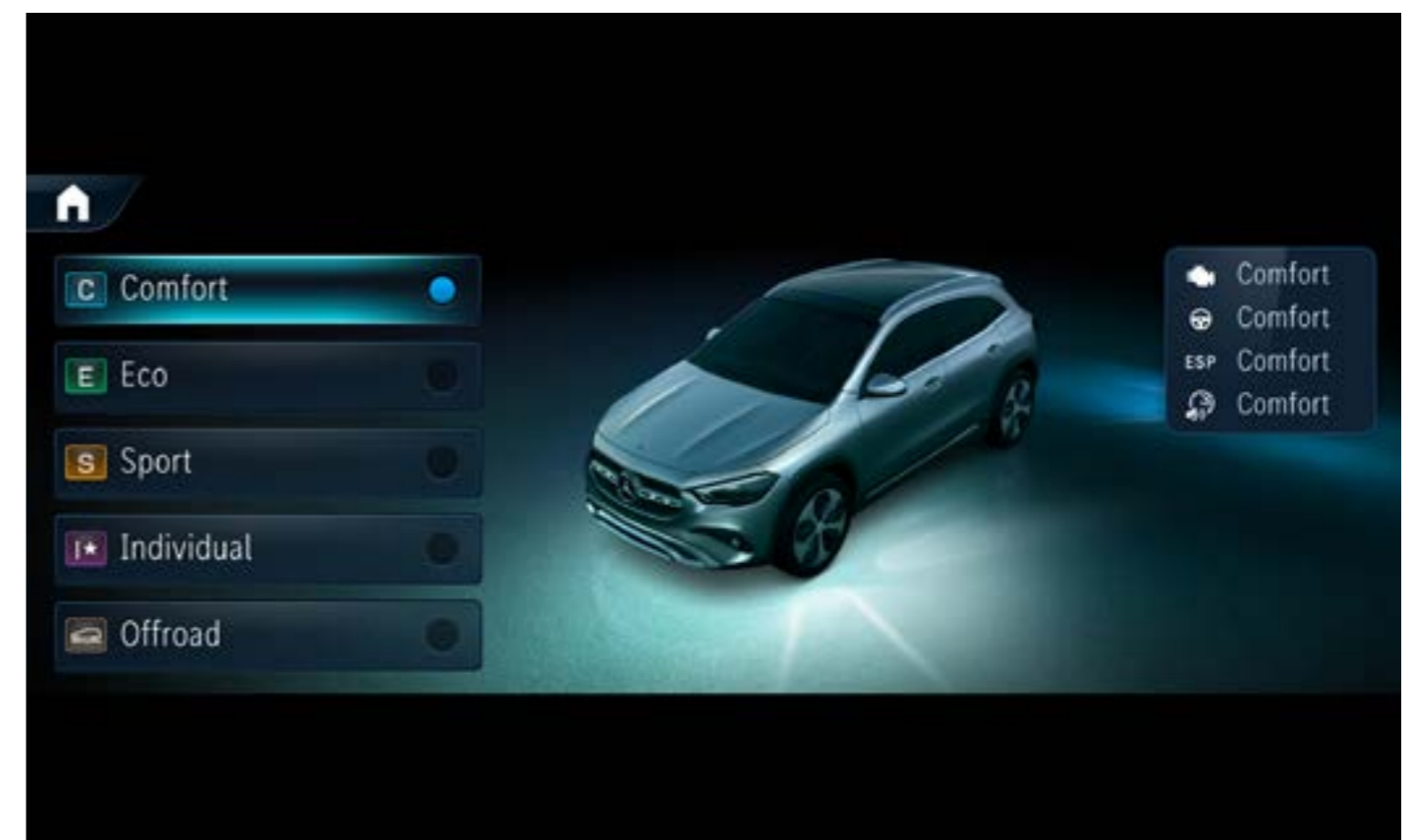
(Available with 220d 4MATIC)

Helpful extras for driving on difficult surfaces, including an additional off-road driving program and hill descent control. The additional off-road driving program optimizes traction, for example on snow, mud or loose surfaces. To do this, it adapts the engine's power delivery and the ABS control for light off-road terrain. This makes your vehicle fit for difficult surfaces. With the Downhill Speed Regulation (DSR) your vehicle gets a helpful assist system. The downhill driving assist system automatically maintains a preselected slow speed between approx. 2 and 18 km/h, which can be viewed in the Instrument Display and the optional head-up display. With targeted brake actuation the assist systems helps you to maintain control when driving on steep downhill gradients.

## DYNAMIC SELECT

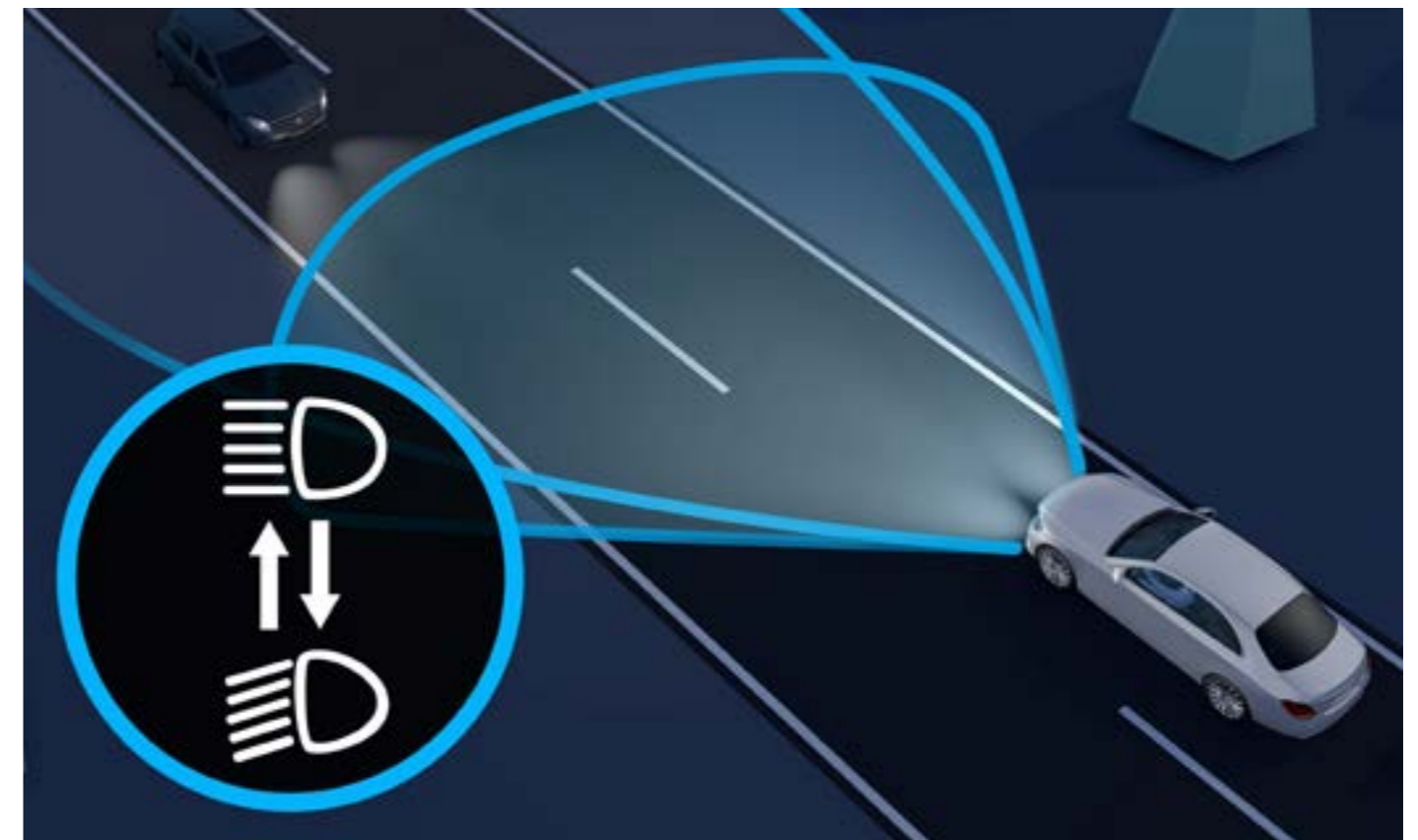
Modes for your driving moods

Selection of driving programs for an ideally tailored driving experience from comfortable to sporty. DYNAMIC SELECT offers various driving programs at the push of a button that predetermine, for example, the engine, transmission, chassis or steering. With the SPORT mode you are particularly dynamic while driving, with the basic COMFORT program you are very balanced. ECO, on the other hand, focuses on efficiency, saving fuel and money.



## CRUISE CONTROL

The cruise control regulates and maintains the desired speed. With the cruise control you select your desired speed and your vehicle takes over the speed control. In addition to the cruising speed, you can set the limiter to not exceed a certain speed. You can set your desired speed using the control buttons on the left steering wheel in increments of 1 km/h or 10 km/h.



## Adaptive high beam assist

Automatic high beam flashing and dimming. The adaptive high beam assistant automatically switches on the high beam if it does not detect any illuminated vehicles ahead or in oncoming traffic. The high headlight range allows you to see the road and dangers better. Push the steering wheel control lever to the high beam position to activate the function.



## Advanced functions MBUX

Adjust MBUX to your personal preferences: thanks, among other things, to the adaptive MBUX voice assistant, personal profiles and prediction functions. The extended MBUX functions are tailored to you personally. Say “Hey Mercedes” – MBUX then waits for your wishes and learns thanks to the online connection. Personal profiles, prediction functions and a WiFi hotspot completely redefine digital networking.

## Communication module (LTE) for the use of Mercedes me connect services

LTE communication module for data transmission, including for the use of Mercedes me connect services. The communication module with a vehicle-mounted, LTE-capable SIM card continuously networks you with your vehicle - and the vehicle with the infrastructure such as the Mercedes-Benz server or the Internet. This allows you to use services such as Live Traffic Information from Mercedes me connect.





## MBUX Navigation Premium

Fast and well-connected navigation, including online route guidance, precise real-time traffic information and car-to-X communication. With MBUX Navigation Premium you can reach your destination quickly and well informed. You can rely on, among other things, current map data including satellite views, precise real-time traffic information and fast online route guidance. Last but not least, intelligently networked functions also make your journey safer

## Navigation Services

Display of online content in the navigation map, including weather information or free parking spaces as well as local search. Wherever you go, being prepared for navigation services will keep you well informed. Your vehicle will answer your questions about your trip. You can find out the number of currently available parking spaces or the current weather.

## Hard-disc navigation

Navigates you quickly to the desired destination including 2D and 3D map display and route options such as Eco and Trailer. Thanks to the fast hard drive navigation, you save time with flexible input via touch operation or voice input. The 3D displays of sights, for example, are also a visual pleasure. The intelligent system guides you reliably to your destination and uses both local and current online information.



## Electrically adjustable front seats with memory function

Electrically adjustable front seats including memory function with 3 memory options and ENERGIZING seat kinetics. With the memory function you can save and comfortably select up to 3 different seating positions. You can easily readjust the seat electrically and continuously.

**ENERGIZING seat kinetics:** The ENERGIZING seat kinetics can increase your well-being, especially on long journeys. The seat cushion moves slightly up and down and the backrest moves back and forth. There are 3 programs and 2 speeds to choose from.

**Parking position:** The exterior mirror on the passenger side lowers when reverse gear is engaged, improving visibility to the rear. The mirror then automatically swings back to its starting position.

**Components:** Memory programming with storage of the adjustment options - Seat height, Seat length, Seat cushion tilt, Seat back tilt, Position of the exterior mirrors.



## Wireless charging system for mobile devices at the front

Wireless charging of your mobile devices in the spontaneous storage area. With just one movement of your hand, your smartphone is in its permanent place in the spontaneous storage area and is charged wirelessly there. Regardless of model and brand, Qi-compatible mobile devices charge wirelessly.



## Light and sight package

Additional lighting for the interior, including reading lights at the front and rear, cup holder lighting and illuminated make-up mirror. The light and visibility package offers you more light sources for better orientation. For example, transparent light panels in the roof control unit create a three-dimensional crystal effect. The make-up mirror in the sun visor is illuminated for a quick look or for applying make-up.



## Mini Games

Versatile entertainment package, including mini-games such as Sudoku and atmospheric vehicle modes for the interior. The games are designed specifically for your vehicle's touchscreens and touch panels. This means you can either crack high scores on your own or compete with your fellow passengers on a screen.

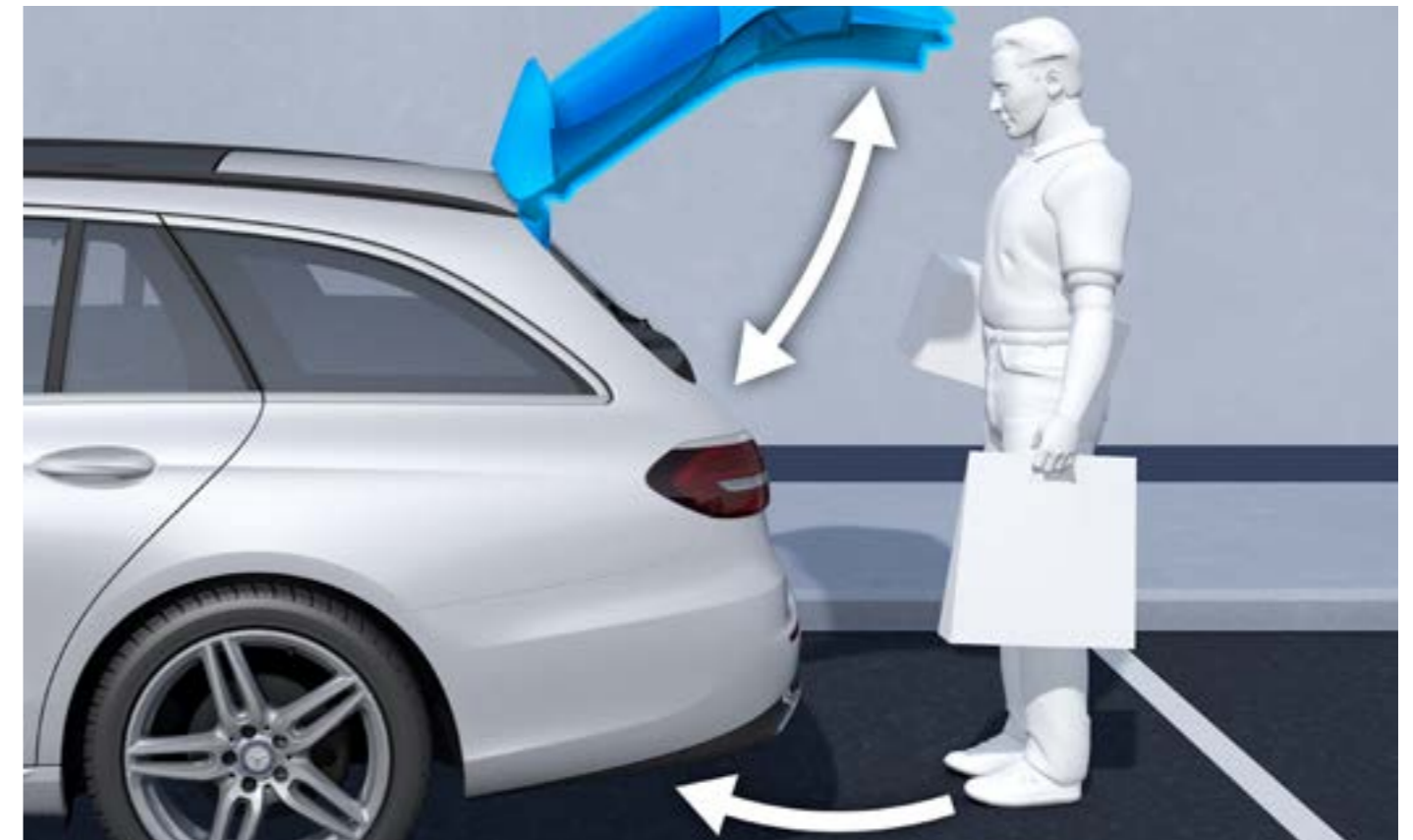
## Active Parking Assist

Extensive support when parking including 360° camera, Active Parking Assistant and Parking Assistant PARKTRONIC. The Active Parking Assistant with 360° camera makes it easier for you to find a parking space as well as park and unpark. You have the choice: park confidently yourself thanks to all-round visibility – or simply have it parked.



## KEYLESS-GO comfort package

High entry and loading comfort for your everyday motoring with the KEYLESS-GO Convenience package you can open or lock your vehicle by simply touching the door handle. HANDSFREE ACCESS opens the boot lid with a kicking motion beneath the bumper. This is particularly useful when you come back from shopping loaded up with heavy bags. It goes without saying that with KEYLESS-GO you also enjoy intelligent control options such as convenient opening or closing of the side windows from the outside at the press of a button. You can also control the optional panoramic sliding sunroof in this same way.



## HANDS-FREE ACCESS

Contactless opening and closing of the trunk with a kick movement under the rear bumper. With HANDS-FREE ACCESS, the tailgate opens and closes without contact. To do this, the sensor area under the rear bumper detects a kicking movement of your foot. This is particularly helpful if you come home from shopping with a heavy load.



## Mirror package

Mirror package, including electrically folding exterior mirror and automatically dimming interior mirror. You can fold the exterior mirrors electrically, making your vehicle slimmer at the touch of a button. Small parking spaces suddenly become big enough. The interior mirror can also register distracting headlights from behind and automatically dim them.

## THERMOTRONIC automatic climate control

THERMOTRONIC regulates the individual temperature in 2 zones. This means you and your passenger can set your desired climate separately. You never have to readjust, because the sensitive sensors also register changing conditions such as sunlight. Filter system: The integrated fine dust activated carbon filter eliminates dust and soot particles as well as pollen, pollutants and unpleasant odors. A sensor for harmful gases continuously monitors the quality of the outside air drawn in and automatically switches to recirculation mode if pollutant levels increase.



## Digital key handover

Share your vehicle conveniently with family and friends using the Mercedes me app. Share your vehicle with friends and family members - no matter where you are and simply via the Mercedes me app. You remain in control and decide who you leave your Mercedes to. You can use the app to unlock your vehicle remotely and activate the stored vehicle key for the user in the vehicle.

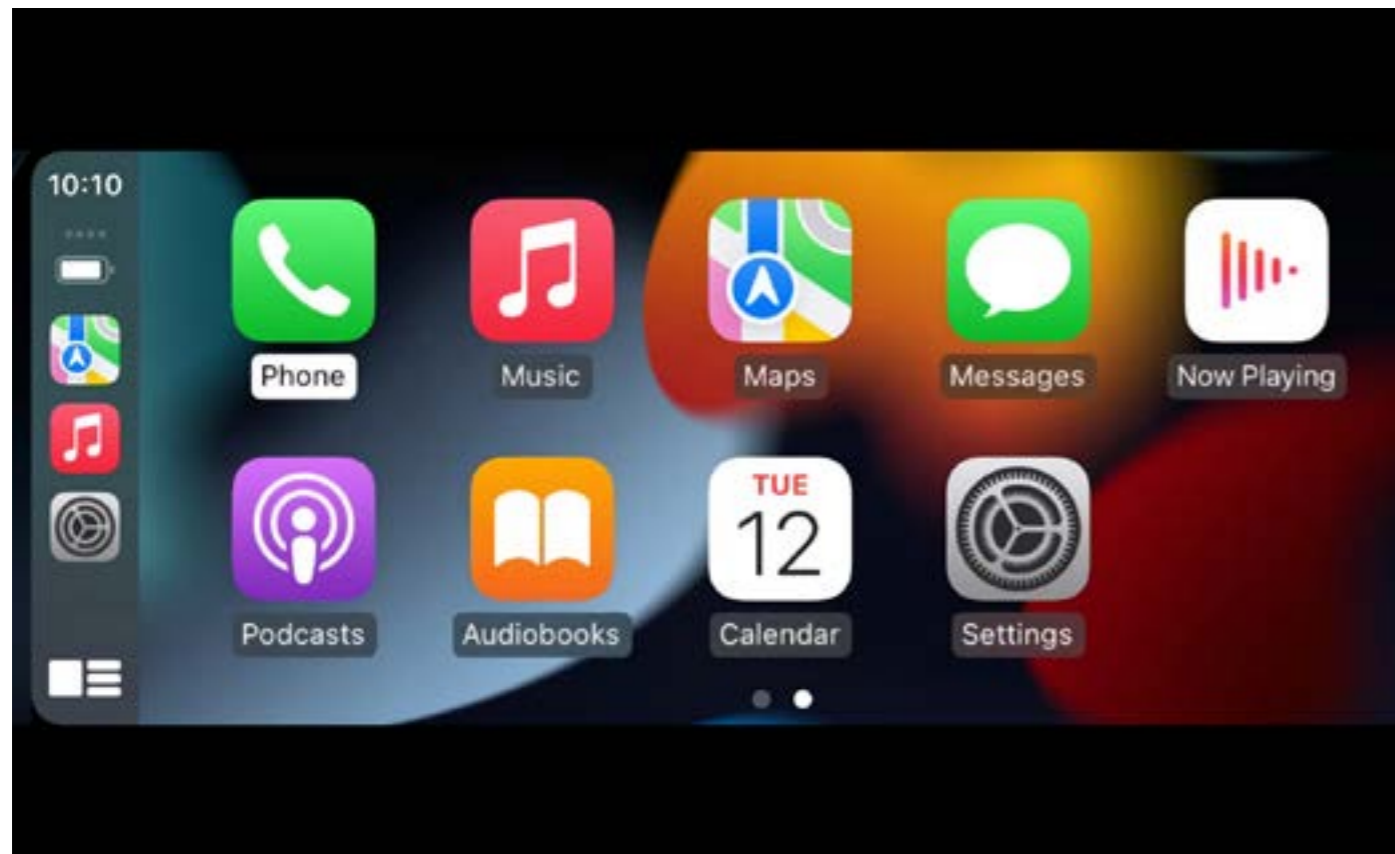


\*Please read the disclaimer



## Remote Services Plus

Remote control of certain vehicle functions, including remote door locking and unlocking, personalization and other Mercedes me services. With Remote Services Plus you can remotely control certain functions and locate your vehicle. For example, open your windows before you get in to ventilate the interior on hot days. Personalization links individual settings with your Mercedes me profile.



## Smartphone Integration

Connect your mobile phone wirelessly to the MBUX multimedia system via Android Auto™ or Apple CarPlay™. The smartphone integration wirelessly connects the mobile phone to the MBUX multimedia system via Apple CarPlay™ and Android Auto™. This gives you convenient access to the most important applications on your smartphone. You can also use third-party apps such as Spotify quickly and easily.

## USB Package Plus

A total of 5 fast-charging and backlit USB-C ports for your mobile devices. With a total of 5 USB-C interfaces and a 12 V socket, you and your passengers can easily charge mobile devices. All USB ports in the vehicle are also discreetly backlit and can be charged quickly. You can also import data such as your stored music into the MBUX multimedia system via devices connected to the front.



## EASY-PACK tailgate

Electrically opening and closing tailgate with storable opening height. You can easily open and close the EASY-PACK tailgate electrically. This makes loading and unloading the luggage compartment even more comfortable. You can easily start opening and closing at the push of a button and interrupt it at any time by pressing another button.



## Live Traffic Information

It receives traffic information in real time which is more precise and up-to-date than conventional systems and optimises dynamic route guidance. The data is updated every two minutes over a mobile phone connection. Sending the vehicle's location along with requests for traffic information ensures that the traffic information sent to your vehicle is the relevant information required for calculating your route and arrival time.



# Mercedes me

## Additional Mercedes me connect features\*

### Alexa Home Integration with Mercedes me connect:

Conversations with Alexa are now more fun when the systems connect with your Mercedes Benz via cloud and give you real time updates. This feature can be used from an Alexa Echo device setup at home, office or also from phone's Alexa App. The command starts with "Alexa, Ask Mercedes to..." or directly initiate a command by saying "Alexa, tell Mercedes to <command>".

Google Home integration with Mercedes me connect: Google Home integration is also offered for Google home users. In a similar way, once the Mercedes me connect is linked to Google Home, you can start issuing commands.

Parking location POIs (Points of Interest): The introduction of new Parking solution, shows Parking lots available across different parts of the cities. The Parking POIs (Points of interest) can be seen easily on the navigation system or alternatively also on the Mercedes me App maps section.



\*Please note that certain services are offered free of cost for a period of three (03) years and may be chargeable at the expiry of three (03) years from the date of activation of such services. If you wish to continue using those services, you may renew the same through Mercedes Me Store (as and when it is available). Please get in touch with your preferred Franchise Partner for more details.



**Mercedes me connect allows drivers to stay in touch with their vehicles from anywhere in the world and to obtain assistance at the touch of a button.**

**Mercedes me**

## Vehicle Monitoring

**Vehicle Tracker:** Track your vehicle from anywhere, as your vehicle's GPS coordinates are seen on your phone App.

**Parked Vehicle Locator:** It can locate your parked vehicle within a radius of 1.5 kilometres and show you on a map how to make your way back to the vehicle.

## Navigation Connectivity package

The combination of the standard-fit communication module (LTE) and the hard-disc navigation makes sure that you always reach your destination as quickly as possible by the best route.

## Vehicle Set-Up

**Remote Retrieval of Vehicle Status:** Information on Mercedes me App or the Mercedes me Portal.

**Remote Door Locking and Unlocking:** You can conveniently remotely lock or unlock your vehicle from the Mercedes me App.

**Speed Alert:** Receive an alert if your vehicle exceeds a certain speed.

**Send2Car function:** Send your address to your vehicle via an app.

**Remote Engine Start**  
(Available with 220d 4MATIC)

## Mercedes-Benz emergency call system

The Mercedes-Benz emergency call system can save you vital minutes in an emergency. If an accident is detected, a communications module with its own SIM card automatically triggers an emergency call which could shorten the time until rescue services arrive.

Please note that certain services are offered free of cost for a period of three (03) years and may be chargeable at the expiry of three (03) years from the date of activation of such services. If you wish to continue using those services, you may renew the same through Mercedes Me Store (as and when it is available). Please get in touch with your preferred Franchise Partner for more details.

# Mercedes me

## Vehicle Finder (enables horn and light flashing)

Find your vehicle in large parking lots with ease. Simply blow the horn or flash the headlamps through the app to locate your vehicle

## Mercedes me Service app: Your digital assistant

Keep a tab on your Star's maintenance with ease. Get timely maintenance and service reminders. Book a service appointment and search for nearest showrooms with a single touch.

What's more, access expert tips to keep your Star in its best shape with car care videos.

## Geo-fencing

Set a perimeter for the car movement and receive notifications in case of vehicle movement beyond the parameter. Hence the feature enables easy monitoring when vehicle is being driven by others.

## Windows/sunroof open close from App

Open/Close the windows and sunroof of your Mercedes-Benz remotely through the app. This enables better ventilation before you get into the car.





Mercedes-Benz GLA

---

# Safety

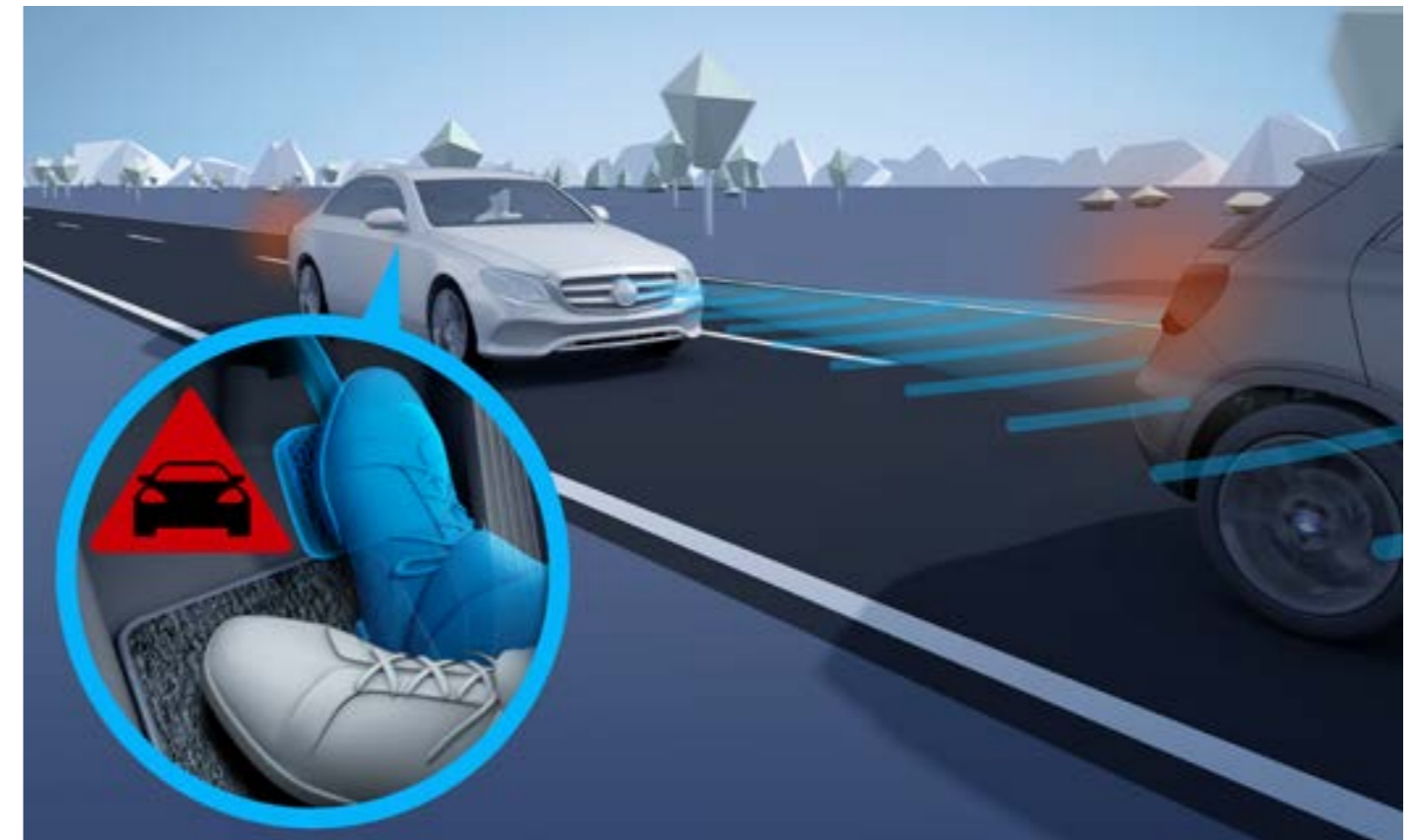


## Knee Airbag

Knee airbag to protect the legs in the event of a serious frontal crash. The knee airbag protects your legs from contact with the steering column or instrument panel in the event of a serious frontal crash. This can prevent or mitigate injuries. The air cushion unfolds in milliseconds and stabilizes the entire body. This means that the entire restraint system, including the seat belt, works together as well as possible. Altogether there are 7 airbags, they can help prevent injuries or reduce their severity.

## Active Brake Assist

This assistant can help avoid collisions with vehicles in front or stationary, oncoming traffic when turning, and moving pedestrians and cyclists. In addition to a distance and collision warning, the system also offers situation-appropriate brake boosting - including autonomous emergency braking. Active Brake Assist detects vehicles, pedestrians, and cyclists in danger zones to avoid accidents, optimizing functions for city speeds and reacting to slower vehicles at higher speeds.



## Pedestrian Protection - Active Bonnet

If a pedestrian collides head-on with a vehicle travelling in the speed range 25 to 55 km/h, a sophisticated sensor system controlled by intelligent algorithms will trigger various actuators. These are pyrotechnical elements that raise the bonnet in the hinge area by about 80 mm. The increase in distance between the bonnet and the components inside the engine compartment creates an additional deformation space that, in certain accident situations, can help reduce the risk of injury to pedestrians.



## Car-to-X communication

Drive with foresight and safely thanks to networked information. Car-to-X Communication allows drivers to anticipate and react to potential hazards in road traffic. This technology allows vehicles to communicate with each other, transmitting information to the driver and other drivers, and providing warnings on the navigation map and announcements, ensuring safe and timely destination arrival.

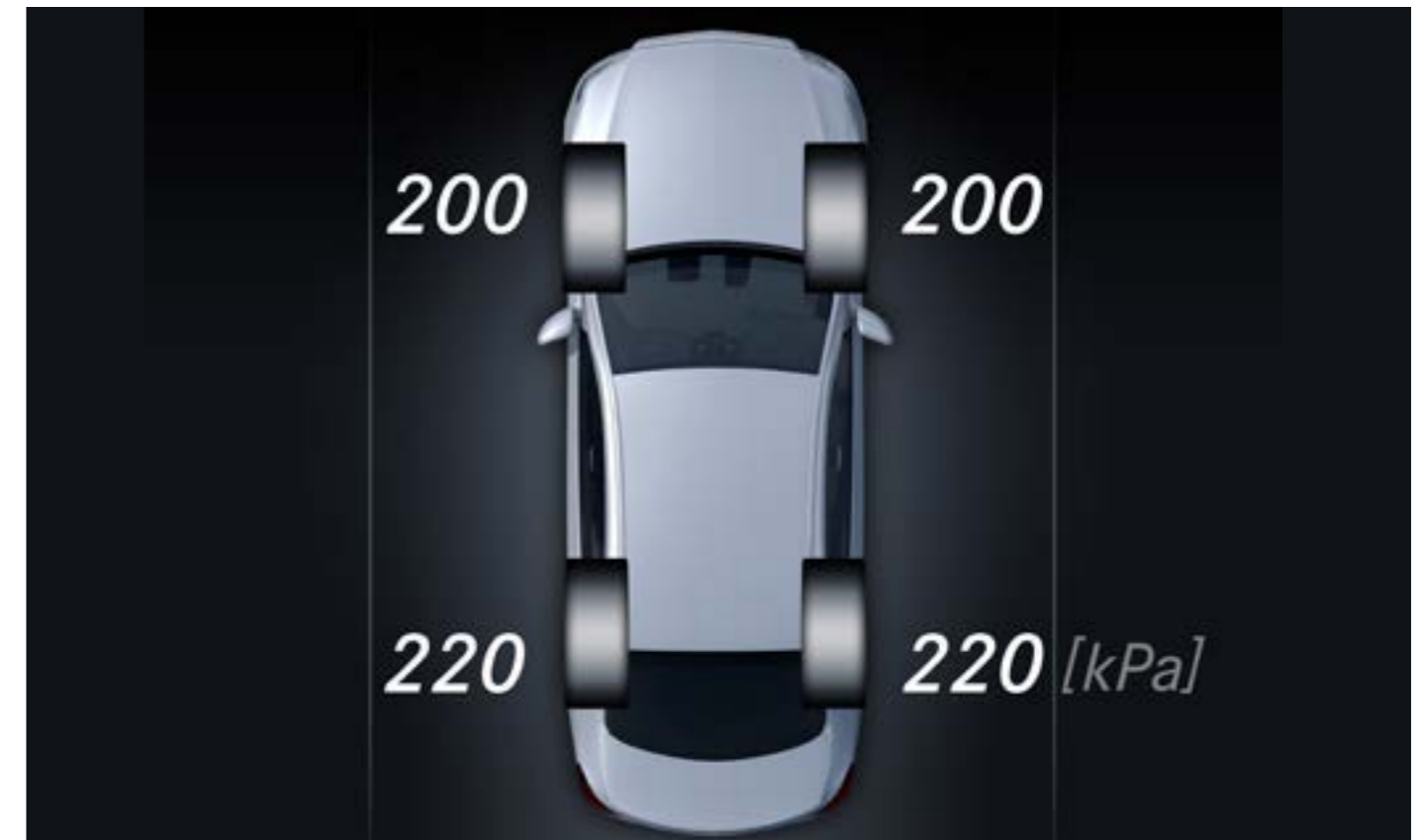


## Blind Spot Assist

Blind spot monitoring, including exit warning function. Blind Spot Assist can warn you visually and acoustically of side collisions with other road users - especially when you use the turn signal to change lanes. After the journey, the exit warning function supports you when opening the door. An important protection, especially for cyclists.

## Tire pressure control

The system monitors the tire pressure for you and warns you if there is a drop in pressure. This allows you to react more quickly to this dangerous situation. Tire pressure that is too low can also increase braking distance. If the inspection informs you of this, you should quickly add air. Correct tire pressure also increases mileage.





## The 8 years you'll be looking forward to.

The new GLA isn't just dynamic all the way when it comes to road presence and impressive features. There's more to the Star than meets the eye. To give you an experience like never before, enjoy an 8-year warranty on engine and transmission from the date of the purchase.

### Get exclusive benefits such as:

- Honoured at any of our authorized Mercedes-Benz Franchise partner nationwide
- Warranty work and repairs performed using Genuine Mercedes-Benz Parts
- Warranty transferable to the next owner in the event of a sale.

### Coverage of the parts such as:

- Engine and Transmission
- Supercharger/Turbocharger
- Engine and Transmission Control Units



# Paintwork

Mountain Grey



Iridium Silver



Polar White



Cosmos Black



Spectral Blue



## Upholstery



**ARTICO man-made leather - Black**

(Available with GLA 200 & GLA 220d 4MATIC - Iridium Silver)  
Illuminated Star pattern trim



**ARTICO man-made leather - Macchiato Beige**

(Available with GLA 200 & GLA 220d 4MATIC - Polar White,  
Cosmos Black, Spectral Blue and Mountain Grey)  
Illuminated Star pattern trim



**ARTICO man-made leather - MICROCUT Black Microfiber**

(Available with GLA 220d 4MATIC - Polar White, Cosmos Black,  
Spectral Blue, Iridium Silver and Mountain Grey)  
Carbon-structure trim

## Trim Options



**Carbon-structure trim**  
(Available with AMG line)



**Illuminated star pattern trim**  
(Available with Progressive line)

## Alloy Wheels



**45.7 cm (18 inch) light alloy wheels in 5-twin-spoke design aerodynamically optimized, painted black and with a high-sheen finish**  
(Available with GLA 200 and GLA 220d 4MATIC)



**48.3 cm (19 inch) AMG light-alloy wheels in 5-twin-spoke design aerodynamically optimized, painted black and with a high-sheen finish**  
(Available with GLA 220d 4MATIC AMG line)

## Genuine Accessories



### Basic carrier bars for roof rails

(Available in Progressive and AMG line)

Aluminium carrier precisely matched to the body of your Mercedes-Benz vehicle, consisting of two crossmembers with cover profiles.



### AMG valve caps, with Affalterbach badge

(Available in AMG line)

AMG valve caps as a highlight of high-quality light-alloy wheels.



### Door handle recesses, large, Set of 2

(Available in Progressive line)

High-shine door handle recesses in chrome design. Protect the recess behind the door handle from scratches and offer a high-quality, individual look.

## Genuine Accessories



### All-season floor mats Dynamic Squares, driver's/ co-driver's mat, Set of 2

(Available in Progressive and AMG line)

Made from robust, washable synthetic material for heavy use. New three-dimensional design with recessed and elevated areas and raised border.



### All-season floor mats Dynamic Squares, rear, Set of 2

(Available in Progressive and AMG line)

Made from robust, washable synthetic material for heavy use. New three-dimensional design with recessed and elevated areas and raised border.



### AMG hub cap, with AMG emblem, set of 4

(Available in AMG line)

Exclusive design in aluminium, embossed with the traditional AMG emblem – a highlight for your AMG light-alloy wheels.

## Genuine Accessories



### Roof spoiler

(Available in Progressive and AMG line)

A distinctive touch that gives the rear of the vehicle a more dynamic and sportier look. Does not affect field of vision in rear-view mirror. A high-quality primed finish allows the product to be painted in desired colour.



### Side trim, Carbon-Style

(Available in Progressive line)

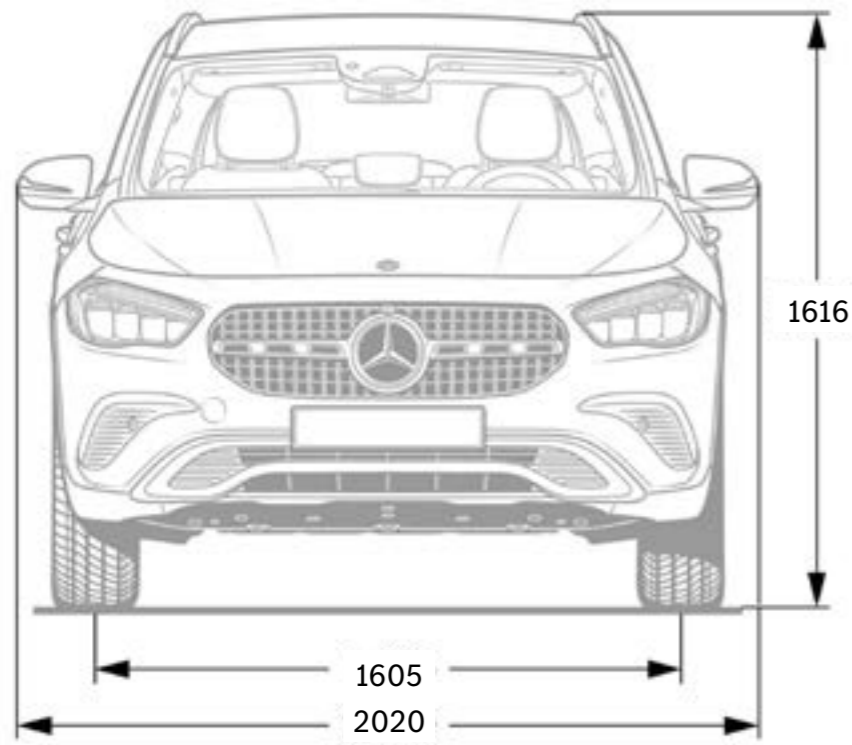
The Mercedes-Benz Sport Equipment side trims, with their realistic carbon-fibre look and individual, dynamic 3D effect, underline the vehicle's dynamic appearance. No entry in vehicle documents required.

## Technical Data

	GLA 200	GLA 220d 4MATIC
Total displacement (cc)	1332	1950
Number of cylinders	4	4
Transmission	7G-DCT	8G-DCT
Rated output	120 kW (163 hp) @ 5500 rpm	140 kW (190 hp) @ 3800 rpm
Rated torque	270 Nm @ 2000 - 3500 rpm	400 Nm @ 1600 - 2600 rpm
Acceleration 0 - 100 km/h in sec	8.9	7.5
Top speed (km/h)	210	219

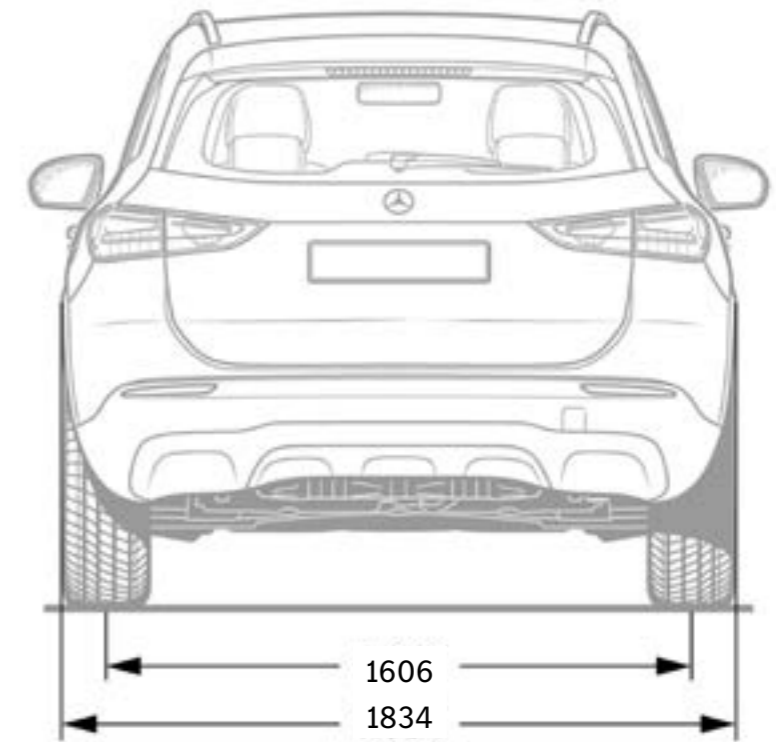


# Progressive Line

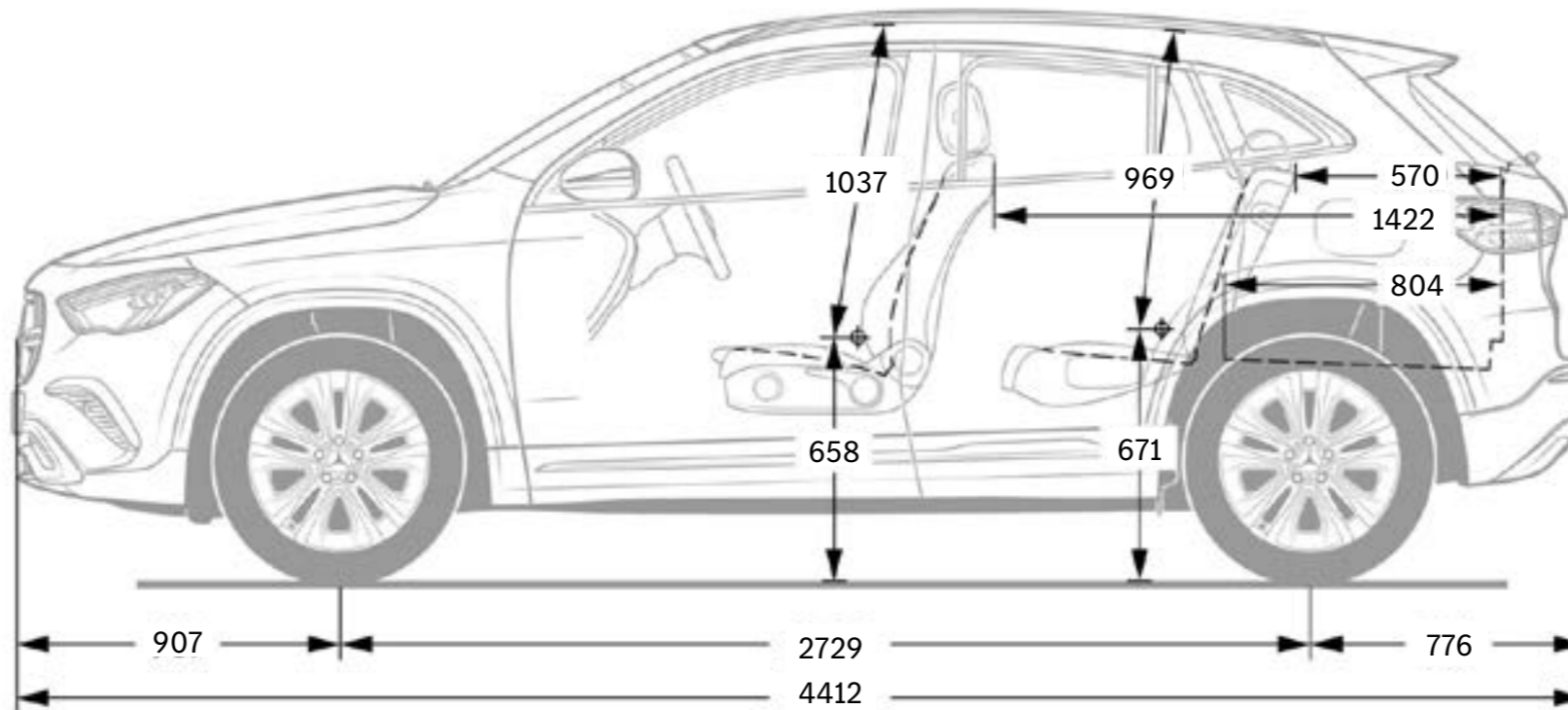


**Front**

**Rear**



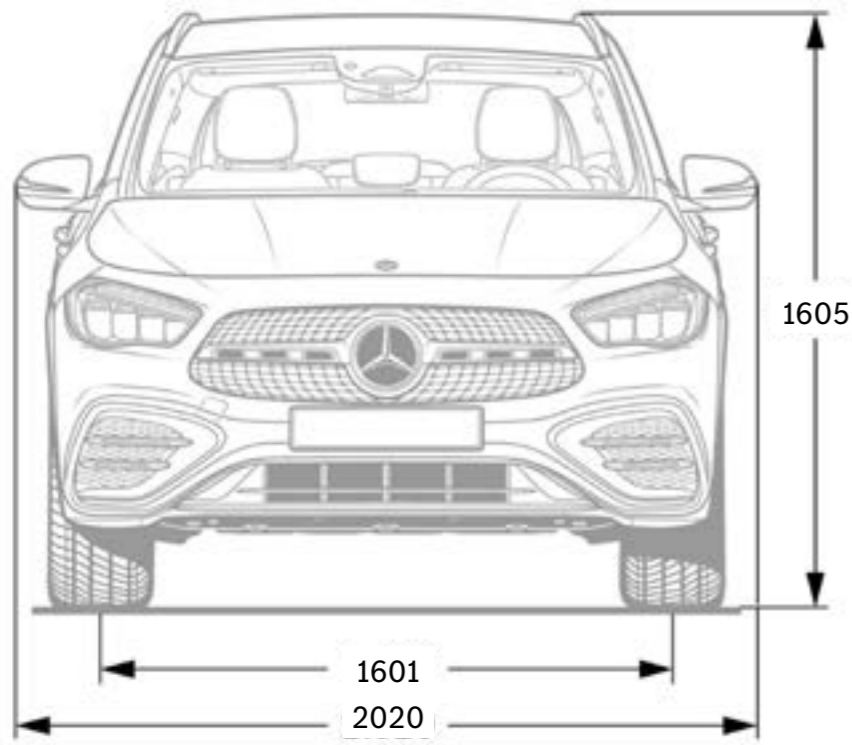
**Side**



\*Please read the disclaimer

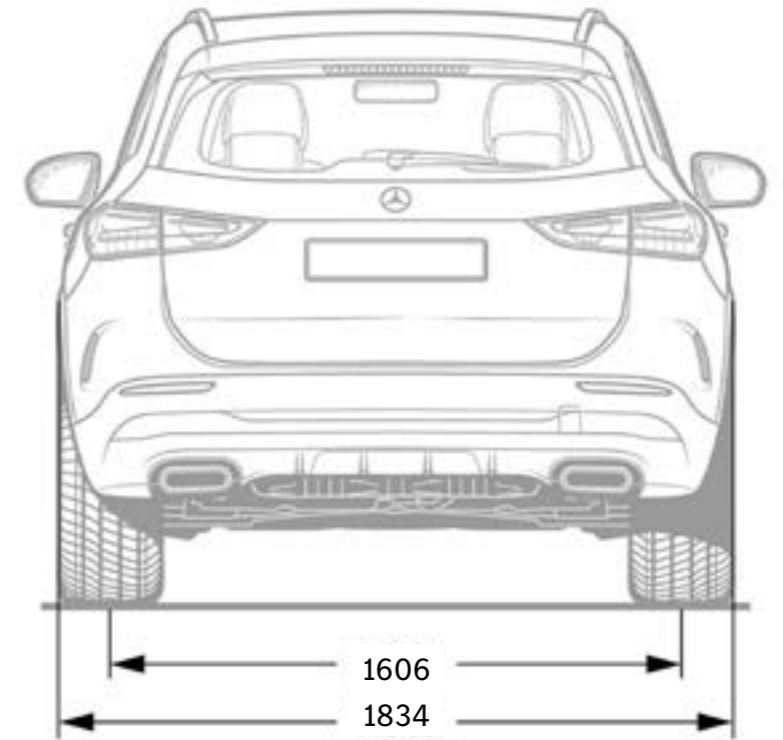
\*All dimensions are in mm

# AMG Line

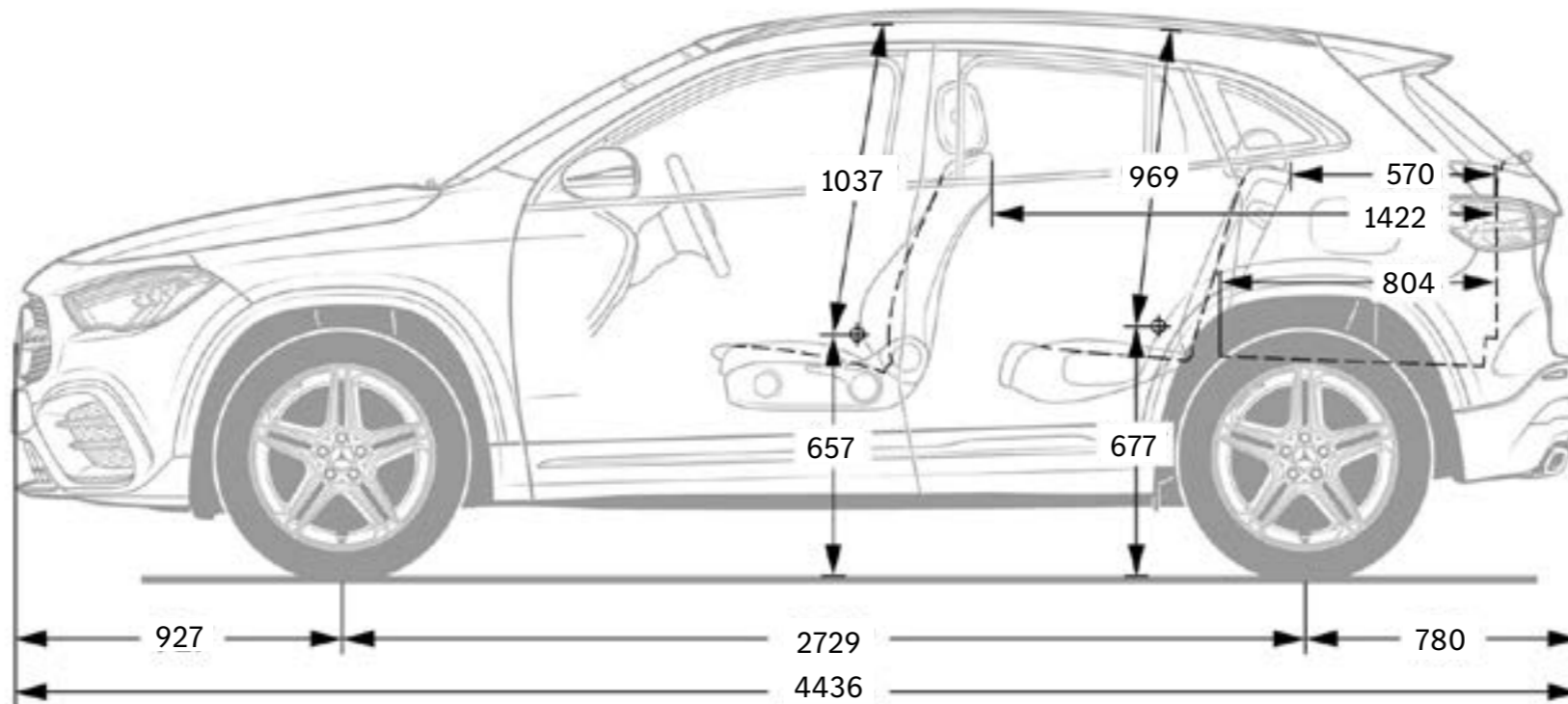


Front

Rear



Side





## Mercedes-Benz Services

### Advance Assurance Program

#### Extending your warranty coverage

With Advance Assurance Program, experience complete peace of mind. While this Extended Warranty Program kicks in the moment your standard 3 years warranty comes to an end, it can be extended further up to 6 years at a nominal price. Also, it comes with a bouquet of privileges for a worry-free time with your Star.

### Star Ease

#### Delivering the best-in-class value

Servicing your Star does not get any better than this. With the STAR Ease Maintenance Packages, pay a defined cost of maintenance based on the model, contract period and mileage and say goodbye to spending on service every time. Plus, enjoy exclusive features like priority handling, shorter waiting time and quicker processes.

## Mercedes-Benz Services

### Mobilo

#### Providing you 24x7 mobility support

Your vehicle comes with Mobilo which provides round-the-clock on-road assistance service. Mobilo comes as a standard for 3 years and can be extended further up to 8 years at a nominal cost. This service offers privileges like vehicle towing facility, replacement vehicle, hotel accommodation, just to name a few.

### Digital Service Drive

#### Ensuring convenience and transparency of service.

Servicing your Star is the last thing you will ever have to worry about. We provide transparent, convenient and hassle-free service. Our customer-friendly service features work around your busy schedule so that you have one less thing to focus upon.





## Mercedes-Benz Services

### Mercedes-Benz Genuine Parts\*\*

#### Now with 2 years of warranty

Mercedes-Benz Genuine Parts are crafted to the state-of-the-art standards of Mercedes-Benz, protecting your vehicle's performance while maintaining the style, comfort and safety, for the years to come. Also, they come with a warranty of up to 2 years, ensuring you a peaceful ownership experience with your Star.

\*\*Terms and Conditions apply.

### Premier Express Prime\*

#### Because we value your time as much as you do

Life gets busy and so we have designed Premier Express, our vehicle care service to help you get in and out quickly. While the visit will be brief, the service offered by our technicians will be comprehensive and complete. All to ensure your Mercedes-Benz is running for miles to come.

\*Available at selected locations and will be expanded to more locations.

## Mercedes-Benz Services

### Mercedes-Benz Approved Tyres and Alloys

#### Ensuring every ride is a safe and joyful one

Maximise the safety and comfort of your Star with Mercedes-Benz approved tyres and rims. While the Mercedes-Benz approved tyres are designed to optimally match your car's performance, the Mercedes-Benz approved rims are designed to lend an exceptional style to the exterior of your Star and are also engineered for optimal performance.

### Mercedes-Benz Genuine Chemical Products

#### Because your Star deserves nothing but the original

Mercedes-Benz Genuine Chemical Products are specially tested for compatibility with the materials in our cars and meet the high quality standards. Also, our products have been approved under Mercedes-Benz Group AG's strict, self-imposed environmental norms. Now with Mercedes-Benz Genuine Chemical Products, experience a whole new world of superior products that support throughout the car's life cycle.





Mercedes-Benz India Private Limited: E-3, MIDC Chakan - Phase III, Chakan Industrial Area, Kuruli & Nighoje, Tal: Khed, Pune - 410 501 (India) Toll free No.: 0008000501888. e-mail: cs.ind@cac.mercedes-benz.com, website: www.mercedes-benz.co.in Please note: This brochure is intended for general information, description and illustration of the Product including optional functions and equipment and may not be specific to a Product since specification of a product may change from time to time. Optional features, functions and equipment etc. may not be present in the Standard or Variant Product or Special Edition Product. Further, Standard specifications of a product may also vary from time to time. Colours may differ from those shown in pictures in the brochure. Mercedes-Benz India reserves the right to make changes without prior notice, in design, colours, materials, components, equipment, specifications, features, functions, make and models etc. The information given in this brochure shall be regarded as accurate at the time of launch and may vary thereafter due to any developments or any other reason. Interested customers should reach out to the Authorised Franchise Partner for further information on the exact specifications, features of the product.

Images shown are for representation purposes only. Some of the vehicles in the Brochure are left hand drive wheel. However, Mercedes-Benz India only manufactures and sells vehicles as per the applicable motor vehicle regulations in India. All vehicles sold by Mercedes-Benz Authorized Franchise Partners shall be with right hand drive wheels only. All title, ownership rights and intellectual property rights in and relating to this brochure/magazine or publication material or any copies thereof including but not limited to copyright, logos, names, trademarks, service marks, design, text, images, links, concepts and themes are owned by Mercedes-Benz Group AG and/or its subsidiaries collectively or used under authorised license by the Mercedes-Benz Group AG. Any reproduction, transmission, publication, performance, broadcast, alteration, license, creation of derivative works or other use in whole or in part in any manner without the prior written consent of Mercedes-Benz India Pvt. Ltd is strictly prohibited. Please note that certain services are offered free of cost for a period of three (03) years and may be chargeable at the expiry of three (03) years from the date of activation of such services. If you wish to continue using those services, you may renew the same through Mercedes Me Store (as and when it is available). Please get in touch with your preferred Franchise Partner for more details. Mercedes-Benz cars: The GLA meets Bharat Stage VI equivalent emission norms.  
CIN - U34102PN1994PTC083160