



AMG



**THE NEW  
Mercedes-AMG GLE 53 4MATIC+ Coupé.**



**BUILT BOLD**



**EXPLORE THE COMMANDING  
AMG 53 SERIES IN INDIA.**



Mercedes-AMG GLE 53 4MATIC+ Coupé

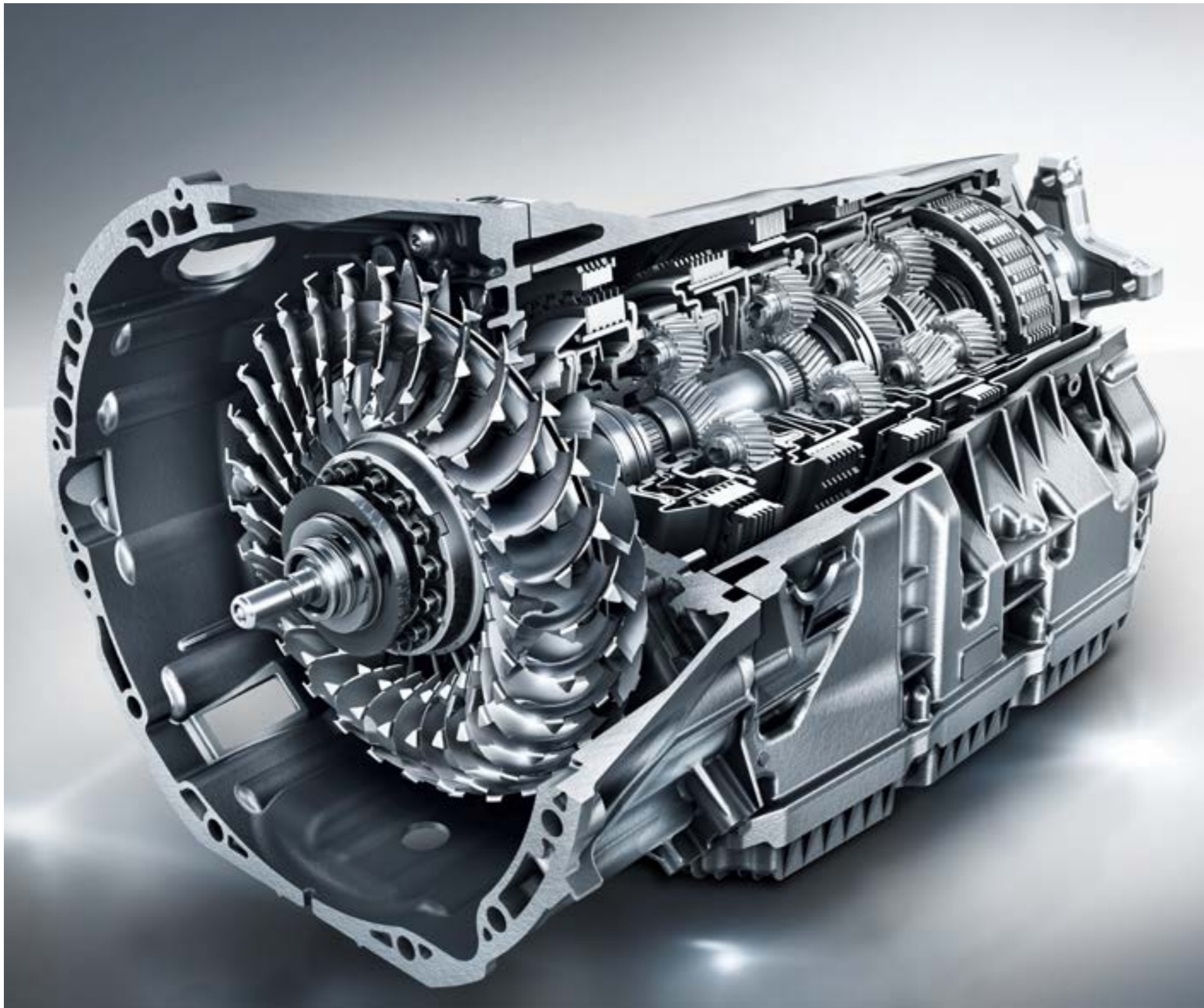
# Engine

## The Powerhouse of AMG GLE 53 4MATIC+ Coupé

The Mercedes-AMG engineers have designed the engine management system for the M256M to be even more athletic. The electric booster compressor delivers high torque even at low engine speeds and the mild hybrid concept with integrated starter alternator (ISG) provides additional boost. The engine now comes with Integrated Starter Generator (ISG) which provide additional power and torque when in need.

The basis for the sporty driving experience of the Mercedes-AMG GLE 53 4MATIC+ Coupé is the even more dynamic 3.0 liter six-cylinder in-line turbo engine and the dynamic AMG Performance 4MATIC+ all-wheel drive with fully variable torque distribution.





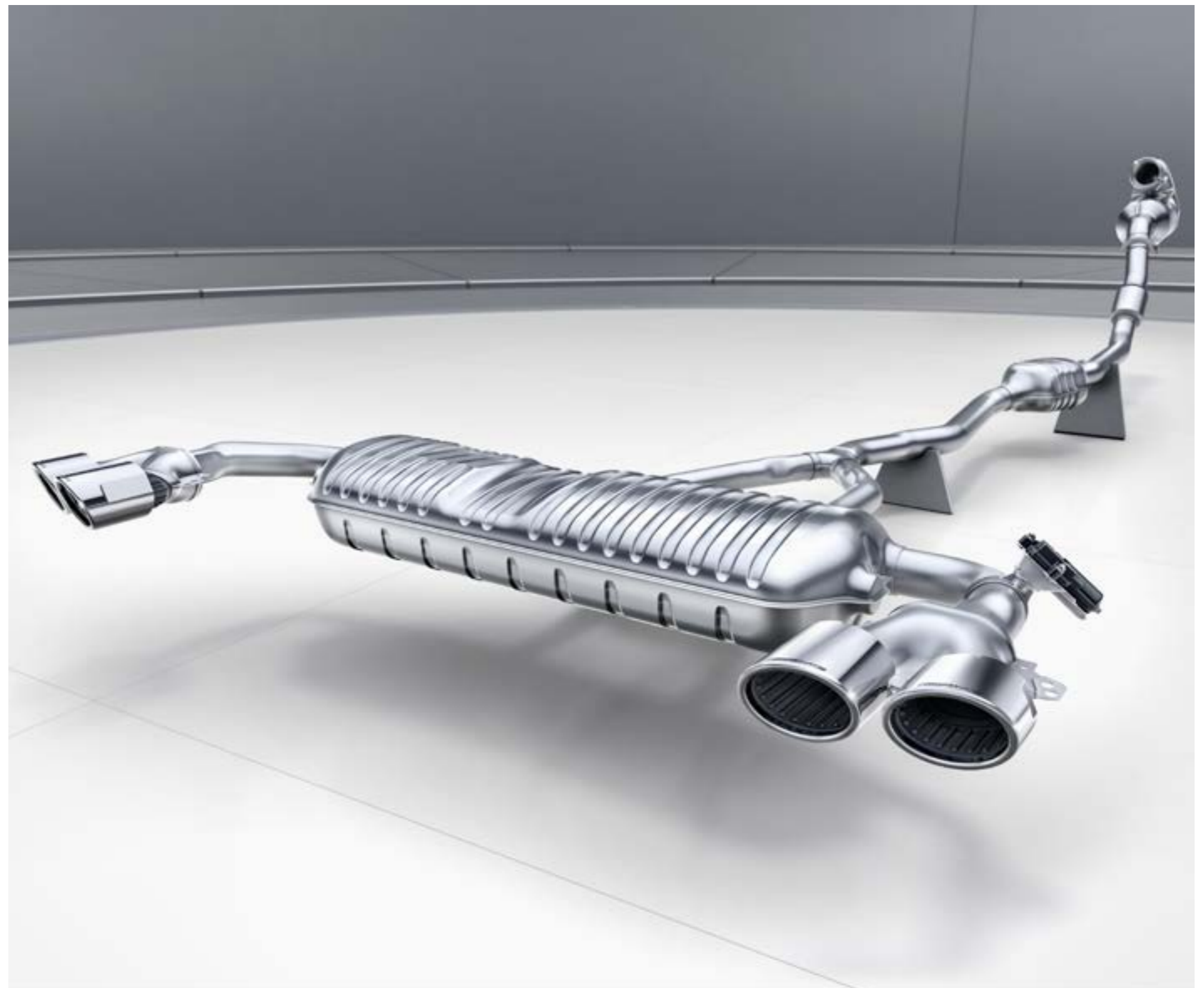
## AMG Speedshift TCT 9G

9-speed torque converter automatic transmission for comfortable and efficient driving. The 9G-TRONIC automatic transmission changes gears so you can barely notice them. This reduces your fuel consumption and ensures a more pleasant noise level. DYNAMIC SELECT driving programs: If you select the Comfort and ECO driving programs, the 9G-TRONIC switches gently and efficiently through the 9 speed levels for you, thereby offering a special level of driving comfort. For even more driving fun and correspondingly better performance, choose Sport mode. At the push of a button you can experience sporty, fast gear changes and still often drive in the optimal speed range.

## AMG Performance Exhaust System, switchable

Sporty exhaust system with adjustable flaps for an emotional sound characteristic. With the variably adjustable exhaust flaps, you can change the sound of the vehicle at the push of a button. Depending on the driving program, the sound characteristics change from reserved comfort to maximum emotionality.

**Adaptable sound:** The exhaust flaps allow you to optimally adapt the sound to the current driving situation. You can influence the sound either by activating selected driving programs or using the button in the center control panel of the center console. The clearly audible double declutching and controlled misfires make your driving experience even more emotional.





## AMG RIDE CONTROL+

Sporty chassis with adaptive damping and AIRMATIC package, including automatic level control. For your sporty driving style: The AMG RIDE CONTROL+ suspension combines outstanding agility and excellent controllability. For a noticeable increase in dynamics and stability – on all paths and wrong paths. Thanks to the AIRMATIC package, you can also enjoy the comfort benefits of modern air suspension with adaptive damping. The AMG RIDE CONTROL+ offers the following:

- Adaptive damping
- Adjustable via the AMG DYNAMIC SELECT driving programs “Comfort”, “Sport” and “Sport+”
- AIRMATIC package
- Air suspension system with adaptive damping system ADS+
- Automatic level control depending on driving speed, driving program and payload



## AMG Dynamic Plus Package\*

High-performance components for added sportiness, including AMG ACTIVE RIDE CONTROL and AMG high-performance composite brake system. The AMG DYNAMIC PLUS package bundles high-performance components for a noticeable and visible increase in sportiness. From the AMG performance steering wheel of your choice to the active roll stabilization AMG ACTIVE RIDE CONTROL to the powerful AMG high-performance composite brake system: This package has everything on board that thrills sporty drivers.

### Components -

- AMG ACTIVE RIDE CONTROL
- AMG high-performance composite brake system
- Dimensions of the brake discs: 400 x 38 mm at the front and 370 x 32 mm at the rear
- Brake calipers painted red with black “AMG” lettering
- Optionally AMG performance steering wheel in carbon / microfiber MICROCUT or AMG performance steering wheel in nappa leather / microfiber MICROCUT





Mercedes-AMG GLE 53 4MATIC+ Coupé

# Design



## AMG Night Package

Exterior elements in high-gloss black and dark chrome, including front splitter, exterior mirror housings and twin tailpipe trims. With the AMG Night package, exterior elements such as exterior mirror housings and trim strips are finished in high-gloss black. Together with the dark chrome-plated tailpipe trims, either strong contrasts or flowing transitions result - depending on the desired paint color.

### Key Highlights:

- Exterior elements in high-gloss black
- Front splitter and trim strip of the AMG front apron
- Exterior mirror housing
- Window surrounds
- Trim strip of the AMG rear apron
- Black chrome-plated double tailpipe covers
- Heat insulating dark-tinted glass from the B-pillar

## MULTIBEAM LED

Adaptive LED headlights, including intelligent light modes, active cornering lights, ULTRA RANGE high beam and Adaptive High Beam Assistant Plus. Thanks to intelligent lighting functions, the adaptive MULTIBEAM LED headlights illuminate the road for you according to the situation. The headlights react to the current traffic situation using the individually controllable LEDs. You enjoy excellent visibility.

### Key Highlights:

- Intelligent light modes
- Adaptive High Beam Assistant Plus
- Active cornering lights
- Off-road light





## AMG Spoiler Lip

Visible aerodynamic element in body color, for a sporty look and improved driving characteristics at high speeds. The AMG spoiler lip, painted in the vehicle color, reduces the lift on the rear axle. It supports neutral driving behavior, especially at high speeds. At the same time, it is a strong visual statement for your pursuit of superior performance.



## Panoramic Sliding Sunroof

Generous glass roof with electric sun blind, anti-pinch protection and PRE-SAFE® locking function. With the spacious panoramic sliding roof you will experience a fascinating feeling of freedom and a pleasantly bright ambience in the interior. Viewed from the outside, your vehicle looks particularly exclusive.

### Components:

- Large glass module made of heat-insulating, tinted safety glass
- Mesh wind deflector in the front area
- Electric sun blind with one-touch operation
- Automatic rain closing
- PRE-SAFE® locking function



## Illuminated Door Sills

Illuminated door sills with “AMG” lettering and removable cover. The high-quality stainless steel door sills are illuminated with “AMG” lettering. Thanks to the interchangeable cover, you can exchange the door sills for other attractive original parts from Mercedes-AMG or Mercedes-Benz. So even getting in or out becomes an experience.

## Illuminated Running Boards

Illuminated running boards at the front and rear make it easier to get in and are a real eye-catcher. The aluminum-look running boards are attached to the side at the height of the side sills and make it easier for you to get in at the front and in the rear. Non-slip rubber nubs increase surefootedness.



## AMG fuel cap\*

Tank cap in silver chrome with “AMG” lettering and black design elements. The AMG tank cap in silver chrome with “AMG” lettering and design elements in black shows your attention to detail. You will receive the tank cap in a high-quality box with an embossed AMG coat of arms. Installation is simple: do it yourself or contact your dealer.



## Mirror Package

Mirror package including electrically folding exterior mirrors and ambient lighting with projection of the brand logo. Electrically folding exterior mirrors protect your vehicle from damage when parking. The ambient lighting also makes it easier to get in and out in the dark. Attractive eye-catcher: the projection of the brand logo next to the open side doors. Automatic dimming function: The interior mirror automatically dims when the sensors detect disruptive headlights from behind. This means your eyes are spared from unpleasant glare from following road users.

\*Chargeable.

## Interior Chrome Package

Stylish design elements in silver chrome refine the interior. The chrome package sets additional elegant accents in the interior with selected design elements. Numerous bezels are stylishly finished in silver chrome, e.g. the EASY-ENTRY switch, the decorative elements in the interior door area and cup holders.

- Controls and trim in the interior door area in silver chrome
- EASY-ENTRY switch in silver chrome
- Controls to the left of the steering wheel in silver chrome
- Hand flatterer, control switch and cup holder on the center console are made or framed in silver chrome
- Climate control panel in silver chrome

### Exclusive trim package\*

Additional decorative elements on the backs of the front seat backs and map pockets for an even more exclusive ambience. The Exclusive trim package gives your interior an individual look. Additional decorative elements on the backs of the front seat backs increase the perceived value of the interior.







## Memory Package

Memory function with up to 3 storage options, including for front seat and steering column settings as well as ENERGIZING seat kinematics. With individual position profiles you can save seat and mirror settings or the alignment of the steering column - particularly practical if your vehicle is used by different people. While driving, the ENERGIZING seat kinematics keep you active and relieve the strain on your back.

- Driver and passenger seats, steering column and exterior mirrors can be electrically adjusted and saved
- Seat longitudinal position and headrest height electrically adjustable
- 4-way lumbar support for driver and passenger
- Seat cushion depth adjustment with gap-free cushion
- ENERGIZING seat kinematics
- PRE-SAFE® positioning function for the passenger seat
- Passenger seat controls for driver
- Height of the head-up display is electrically adjustable, additionally if head-up display is selected

## AMG Performance Steering wheel in Nappa leather / MICROCUT microfibre

Sporty steering wheel in nappa leather and MICROCUT microfiber in a 3-double-spoke design, with aluminum steering wheel shift paddles and AMG steering wheel buttons. In this AMG steering wheel, elegant nappa leather meets non-slip MICROCUT microfiber - for perfect grip and precise steering. The typically AMG flattened shape comes from motorsport and emphasizes the sportiness of the cockpit. Ergonomically positioned touch control panels offer intuitive operating comfort and promote focused driving.

### AMG Steering Wheel Buttons

2 AMG steering wheel buttons with mini displays: left button can be individually assigned with AMG functions, right button for selecting driving programs. The AMG steering wheel buttons allow specific driving dynamics functions to be operated quickly and accurately. For a focused and concentrated driving experience - and for an authentic racing car atmosphere in the cockpit.



## AMG Badged Seats

AMG Seats for driver and front passenger that provides optimum lateral support and features an AMG-specific seat upholstery layout, with “AMG” badge in the front seat backrests.



## AMG floor mats

Black floor mats with “AMG” lettering. The black floor mats with “AMG” lettering blend harmoniously into the interior design and effectively protect the footwell from dirt. If necessary, you can remove, vacuum or clean the AMG floor mats in no time.

## Temperature-controlled cupholders

Temperature-controlled cupholders in the center console cool or warm drinks for the driver and front passenger. With the temperature-controlled cup holders, cold or warm drinks are always within reach for the driver and front passenger. Bottles, cans and cups up to 0.5 l are securely fixed in the center console. Depending on your wishes, the temperature is kept in a range between 8° and 55° C.





Mercedes-AMG GLE 53 4MATIC+ Coupé

# Technology

## AMG Track Pace\*

Virtual race engineer for analyzing lap, sector and acceleration times on closed tracks. AMG TRACK PACE transforms your vehicle into your virtual race engineer. With the help of lap, sector and acceleration times as well as selected live telemetry data, you can specifically analyze and improve your driving skills on closed routes.



## MBUX Advanced Functions

Adjust MBUX to your personal preferences: thanks, among other things, to the adaptive MBUX voice assistant\*, personal profiles and prediction functions. The extended MBUX functions are tailored to you personally. Say "Hey Mercedes" – MBUX then waits for your wishes and learns thanks to the online connection. Personal profiles, prediction functions and a WiFi hotspot completely redefine digital networking.

\*Chargeable.



## AIR BALANCE package

Individual scenting of the interior including a “Forest Mood” fragrance bottle, ionization of the interior air and improved air filtering. The AIR-BALANCE package individually scents the interior with a room fragrance that perfectly matches the character of your vehicle. Thanks to refreshing ionization and purifying filtering of the outside and inside air, the package contributes to improved air quality on board and increased well-being.

## Ambient Lighting

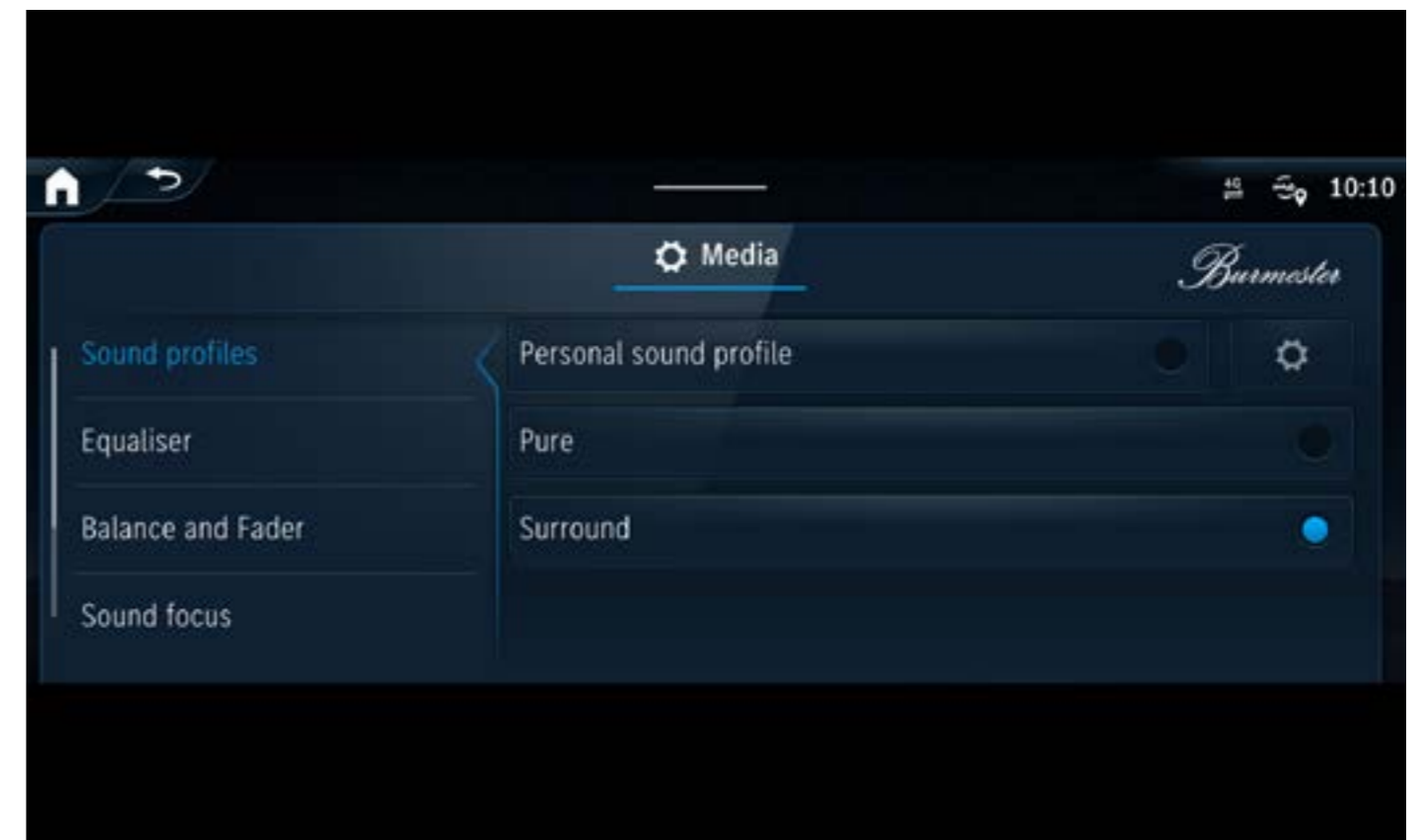
Elegant ambient lighting with 64 colors and 9 color worlds. The ambient lighting provides a suitable lighting scenario for you with a total of 64 colors – entirely according to your personal preference. The colors can also alternate spectacularly in 9 color worlds.



## Burmester® Surround Sound System

Premium sound with 13 speakers, 590 watts of system power and Dolby Atmos®. With 13 speakers and 590 watts of system power, you can enjoy the legendary Burmester® sound. The high-performance speakers develop first-class surround sound. You can optimize this specifically for the front and rear seats, making your listening experience even more intense.

- 13 high performance speakers
- 9 channel DSP amplifier with 590 watt output power (7 x 50 W and 2 x 120 W)
- Frontbass technology with woofers integrated into the shell
- Dolby Atmos® technology for suitable audio formats
- Sound optimization for the front and rear seats
- Sound presets 2 variants: Pure and Surround



## Sound Personalization

Digital setup assistant for the perfect sound setup for your Burmester® sound system. A digital setup assistant works with you to determine your music preferences and adjusts the Burmester® sound system to your wishes. He saves the result in a personal profile. This is how you can easily achieve your perfect sound setup.





## 4-Zone THERMOTRONIC automatic climate control system

Automatic climate control with 4 climate zones, fine dust activated carbon filter, defrosting system and residual heat function. 4 climate zones enable an individual feel-good climate on board. The driver and front passenger as well as the rear passengers can determine the temperature and air distribution according to their personal needs. The climate settings can be saved and recalled at the touch of a button.

## USB ports in the rear

2 USB-C ports in the rear with 100 W charging power for your mobile devices. Thanks to the 2 USB ports in the rear with charging power increased to 100 watts, you can quickly supply suitable smartphones, tablets and other devices with power, even during short journeys.





## Touch Control Concept

MBUX offers users maximum freedom for controlling all functions in the way most comfortable and convenient to them. Whether using voice control or intuitive touch functions. The new Mercedes-AMG GLE 53 4MATIC+ Coupé comes with the option of a multimedia touch display. There is also a touchpad integrated in the centre console, which responds to single and multi-finger gestures as well as handwriting. Furthermore, the displays can be controlled using Touch Control buttons on the steering wheel.

## Display Styles

You can customise the design and the entire look and feel of the Widescreen Cockpit. There is a choice of five display styles: “Classic”, “Sport”, AMG specific “Supersport”, “Understated” and “Standard”. The chosen style tangibly characterises the interior atmosphere, especially in conjunction with the available ambient lighting.

## Widescreen Cockpit

Instrument display and media display under a common cover glass, including touch function and 7 contexts. The widescreen cockpit with two 12.3-inch displays transforms information into a fully digital display experience. The desired content can be positioned individually and the diverse functions can be operated intuitively thanks to touch technology. To do this, you choose from 7 contexts.



## Smartphone Integration

Connect your mobile phone wirelessly to the MBUX multimedia system via Android Auto™ or Apple CarPlay™. The smartphone integration wirelessly connects the mobile phone to the MBUX multimedia system via Apple CarPlay™ and Android Auto™. This gives you convenient access to the most important applications on your smartphone.



## Head-up Display

Head-up display to show information such as speed or navigation instructions. The head-up display turns your windshield into a digital cockpit. With the virtual image you always have important information directly in view. Your full attention is on the road and the traffic in front of you.

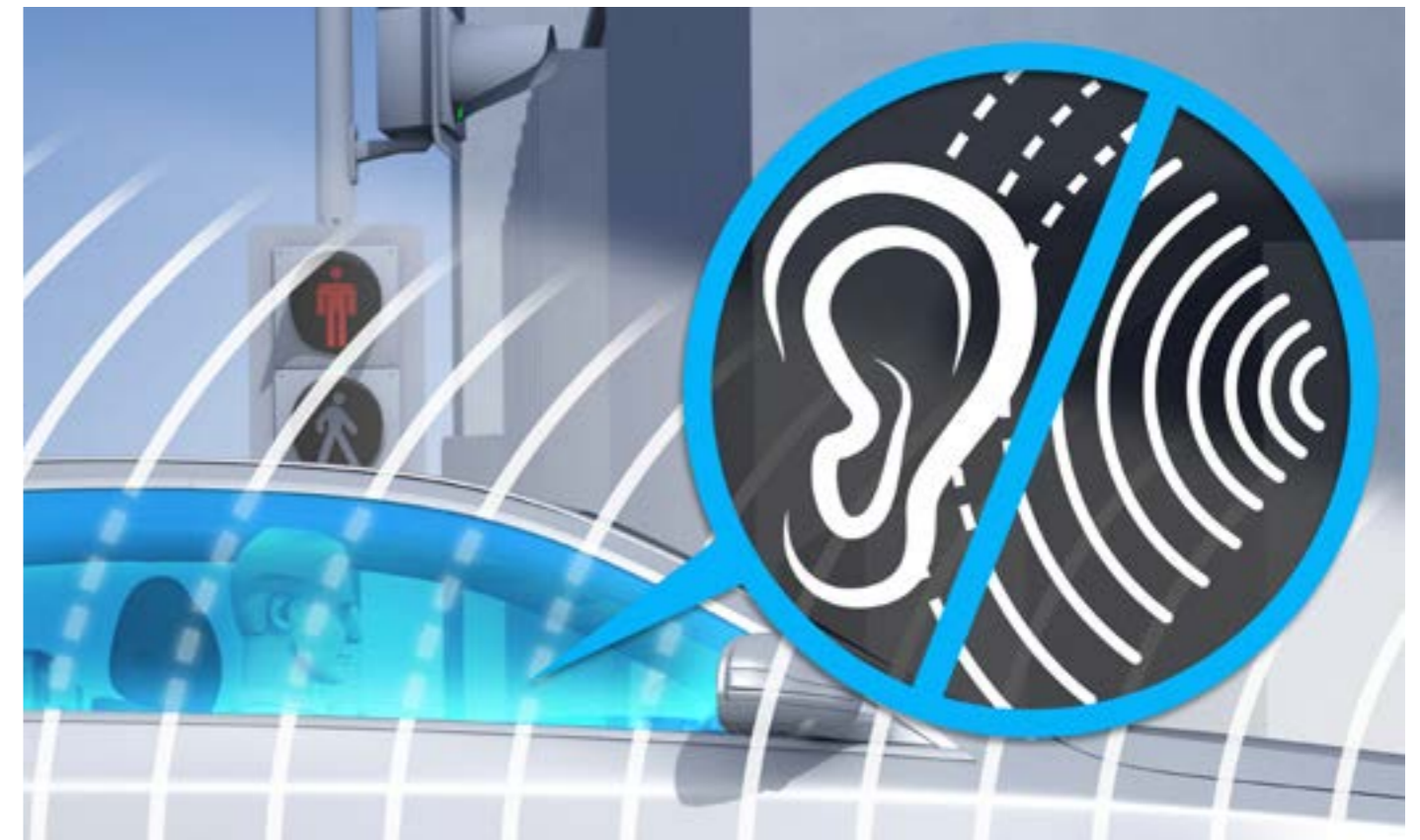
## Hard-disc Navigation

Navigates you quickly to the desired destination including 2D and 3D map display and route options such as Eco and Trailer. Thanks to the fast hard drive navigation, you save time with flexible input via touch operation or voice input. The 3D displays of sights, for example, are also a visual pleasure. The intelligent system guides you reliably to your destination and uses both local and current online information.



## Transparent Bonnet

Virtual view of the area immediately in front of the vehicle for improved maneuvering on off-road trips. The virtual view shows the area directly in front of your vehicle when driving off-road. This means you can maneuver confidently and avoid obstacles safely – even on rough terrain. Calculated from camera images, the hood appears transparent on the media display. Visualization of the lane helps to choose the optimal route.



## Acoustic Comfort Package\*

Laminated safety glass for the front and side windows as well as additional insulation measures improve your noise comfort. The sound insulation of the Acoustic Comfort package significantly reduces annoying outside noises. Together with additional insulation measures, the laminated safety glass with acoustic film effectively reduces background noise. This means you can enjoy a quiet travel ambience even at high speeds.

\*Chargeable.



## Climatised Front Seats

3-stage seat ventilation and 3-stage seat heating for a pleasant seating climate. The seat ventilation supplies the front seats with a large airflow, cools them down and thus also regulates moisture. In cooler weather, the seat heating quickly brings the seat surfaces and backrests to a comfortable temperature.

## Power Closing Doors\*

Power closing doors - Convenient electrical tightening and closing of vehicle doors. The servo closing function pulls your doors gently and almost silently into the lock. All you have to do is close the doors until they click into place - your vehicle will do the rest for you.



## Additional USB ports

A total of 5 additional USB-C ports for your mobile devices. With a total of 5 additional USB-C interfaces, you and your passengers can easily charge mobile devices. The devices can also be connected and controlled directly to the vehicle's multimedia system via selected connections.



## Wireless Charging

Wireless charging of your mobile devices in the spontaneous storage area. With just one movement of your hand, your smartphone is in its permanent place in the spontaneous storage area and is charged wirelessly there. Regardless of model and brand, Qi-compatible mobile devices charge wirelessly.

# Mercedes me

## Additional Mercedes me connect features

### Alexa Home Integration with Mercedes me

**connect:** Conversations with Alexa are now more fun when the systems connect with your Mercedes Benz via cloud and give you real time updates. This feature can be used from an Alexa Echo device setup at home, office or also from phone's Alexa App. The command starts with "Alexa, Ask Mercedes to...." or directly initiate a command by saying "Alexa, tell Mercedes to <command>".

**Google Home integration with Mercedes me connect:** Google Home integration is also offered for Google home users. In a similar way, once the Mercedes me connect is linked to Google Home, you can start issuing commands.

**Parking location POIs (Points of Interest):** The introduction of new Parking solution, shows Parking lots available across different parts of the cities. The Parking POIs (Points of interest) can be seen easily on the navigation system or alternatively also on the Mercedes me App maps section.

Please note that certain services are offered free of cost for a period of three (03) years and may be chargeable at the expiry of three (03) years from the date of activation of such services. If you wish to continue using those services, you may renew the same through Mercedes Me Store (as and when it is available). Please get in touch with your preferred Franchise Partner for more details.







**Mercedes me connect allows drivers to stay in touch with their vehicles from anywhere in the world and to obtain assistance at the touch of a button.**

**Mercedes** *me*

## Vehicle Monitoring

**Vehicle Tracker:** Track your vehicle from anywhere, as your vehicle's GPS coordinates are seen on your phone App.

**Parked Vehicle Locator:** It can locate your parked vehicle within a radius of 1.5 kilometres and show you on a map how to make your way back to the vehicle.

## Navigation Connectivity package

The combination of the standard-fit communication module (LTE) and the hard-disc navigation makes sure that you always reach your destination as quickly as possible by the best route.

## Vehicle Set-Up

**Remote Retrieval of Vehicle Status:** Information on Mercedes me App or the Mercedes me Portal.

**Remote Door Locking and Unlocking:** You can conveniently remotely lock or unlock your vehicle from the Mercedes me App.

**Speed Alert:** Receive an alert if your vehicle exceeds a certain speed.

**Send2Car function:** Send your address to your vehicle via an app.

**Remote Engine Start**

## Mercedes-Benz emergency call system

The Mercedes-Benz emergency call system can save you vital minutes in an emergency. If an accident is detected, a communications module with its own SIM card automatically triggers an emergency call which could shorten the time until rescue services arrive.

Please note that certain services are offered free of cost for a period of three (03) years and may be chargeable at the expiry of three (03) years from the date of activation of such services. If you wish to continue using those services, you may renew the same through Mercedes Me Store (as and when it is available). Please get in touch with your preferred Franchise Partner for more details.

# Mercedes me

## Vehicle Finder (enables horn and light flashing)

Find your vehicle in large parking lots with ease. Simply blow the horn or flash the headlamps through the app to locate your vehicle

## Mercedes me Service app: Your digital assistant

Keep a tab on your Star's maintenance with ease. Get timely maintenance and service reminders. Book a service appointment and search for nearest showrooms with a single touch.

What's more, access expert tips to keep your Star in its best shape with car care videos.

## Geo-fencing

Set a perimeter for the car movement and receive notifications in case of vehicle movement beyond the parameter. Hence the feature enables easy monitoring when vehicle is being driven by others.

## Windows/sunroof open close from App

Open/Close the windows and sunroof of your Mercedes-Benz remotely through the app. This enables better ventilation before you get into the car.





Mercedes-AMG GLE 53 4MATIC+ Coupé

# Safety

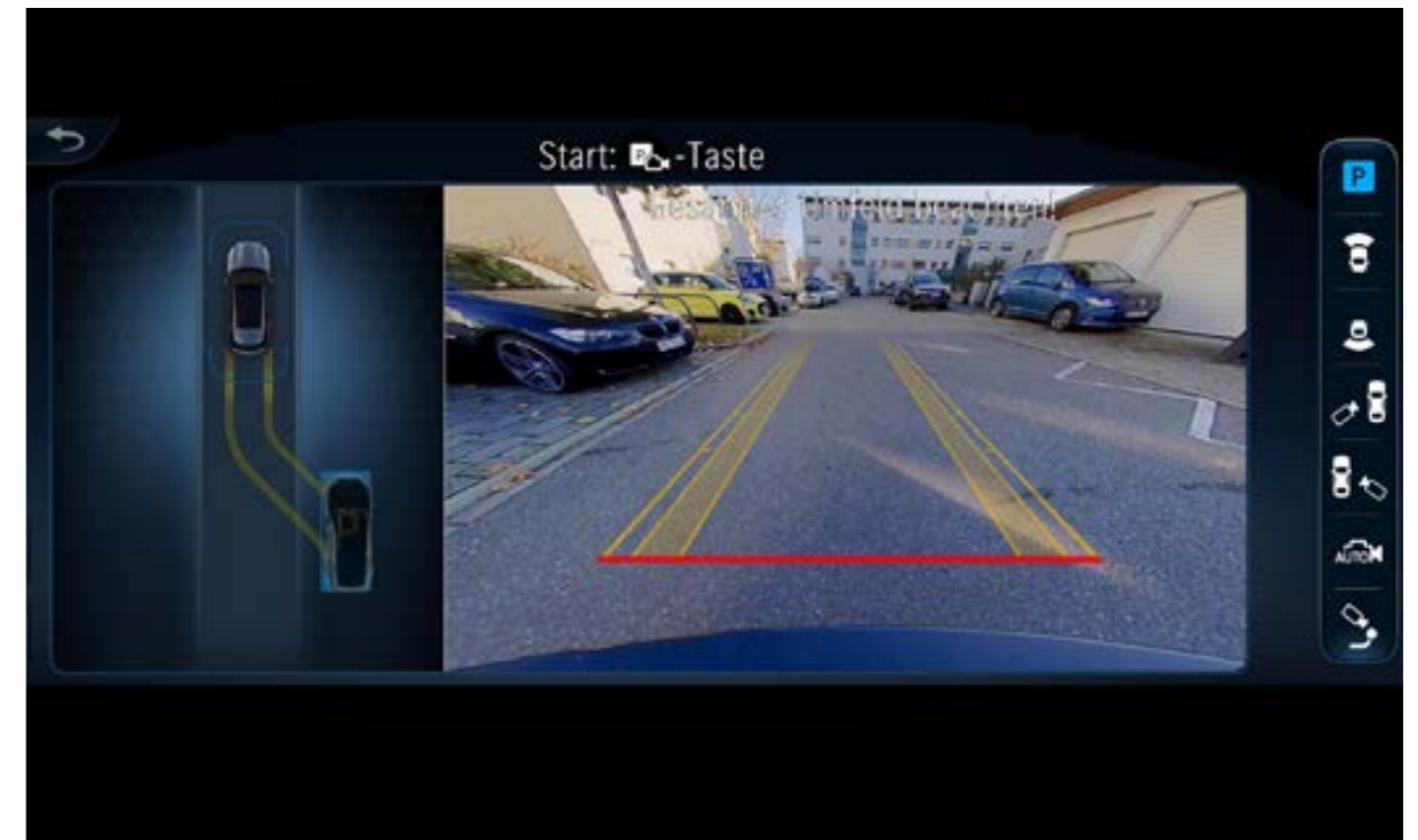


## Adaptive Highbeam Assist Plus

Permanent high beam without dazzling oncoming traffic or traffic in front. With the Adaptive High Beam Assist Plus, you can drive with constant high beam without dazzling others. The intelligent system uses high-precision LEDs to avoid oncoming traffic or vehicles in front. This means you don't have to constantly switch to low beam and can see the road and dangers better thanks to the long headlight range.

## Parking Package with 360° camera

Extensive support when parking including 360° camera, Active Parking Assistant and Parking Assistant PARKTRONIC. The Active Parking Assistant with 360° camera makes it easier for you to find a parking space as well as park and unpark. You have the choice: park confidently yourself thanks to all-round visibility - or simply have it parked.



## GUARD 360° Vehicle Protection

Vehicle protection including burglary and theft alarm systems as well as towing protection. The GUARD 360° vehicle protection offers all-round monitoring of the vehicle's surroundings - for example with the burglary and theft alarm system and towing protection. Movements in the interior trigger visual and acoustic warnings. The Mercedes me collision detection informs you via app.



## GUARD 360° Vehicle Protection Plus\*

Extended vehicle protection including burglary and theft alarm system as well as emergency key deactivation\* GUARD 360° Vehicle Protection Plus offers all-round monitoring of the vehicle's surroundings. Thanks to the burglary and theft alarm system as well as emergency key deactivation\*, you can act quickly. When you're on the move, collision detection\* notifies you via the app. In addition, the Vehicle Theft Assistance\* service increases the chance of recovering your property.

\*Chargeable.



## Knee bag

Kneebag to protect the legs in the event of a serious frontal crash. The kneebag protects your legs from contact with the steering column or instrument panel in the event of a serious frontal crash. This can prevent or mitigate injuries. The air cushion unfolds in milliseconds and stabilizes the entire body. This means that the entire restraint system, including the seat belt, works together as well as possible.

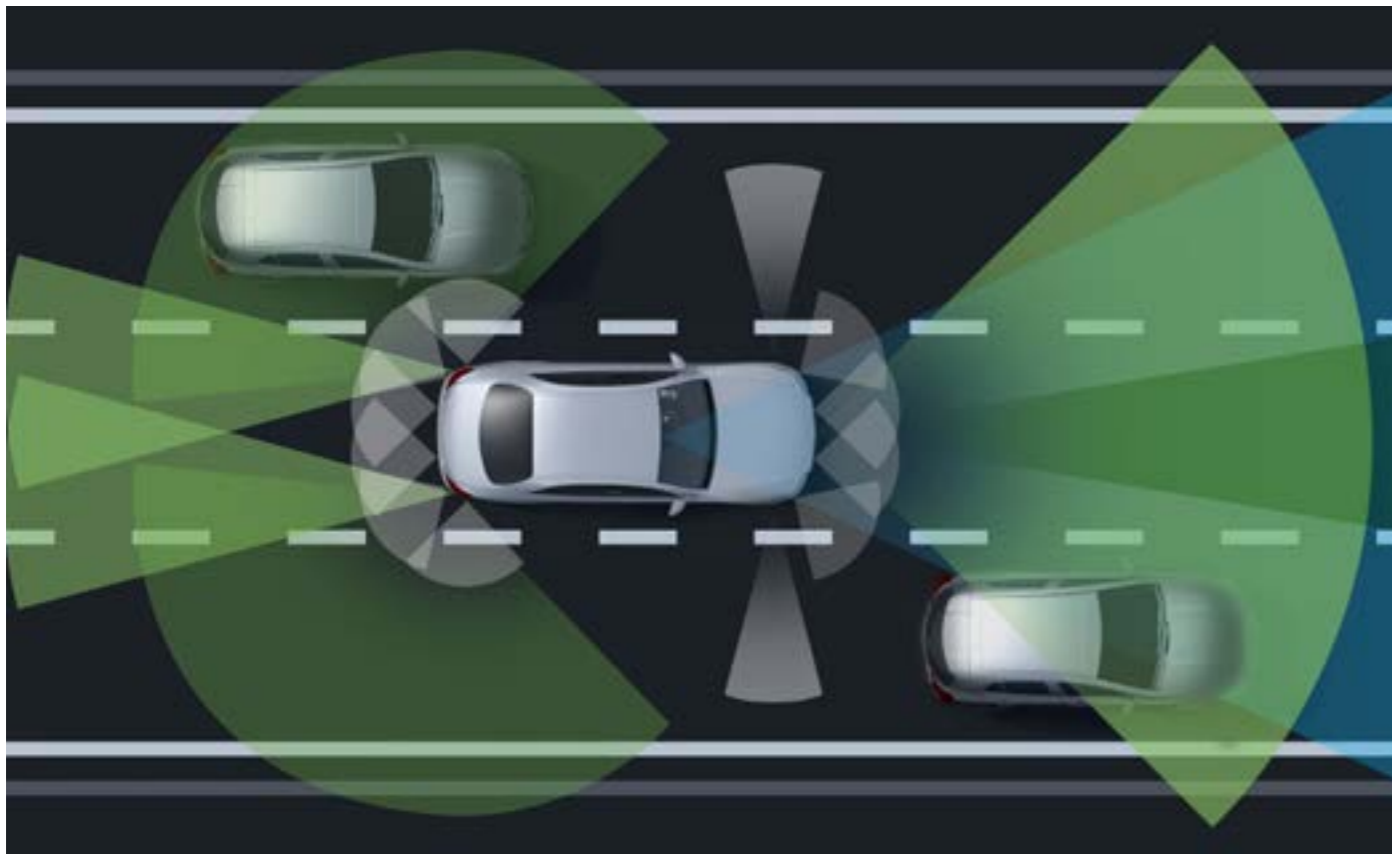


## Sidebags in the rear

Side airbags in the rear can protect the chest area in the event of a side impact. The side airbags in the rear can protect the chest area on the outer rear seats in the event of a serious side impact. To do this, air cushions are pushed between the door side or rear side panel and the passenger. Together with the standard window bags, they can help prevent injuries or reduce their severity.

## Driving Assistance Package\*

The highest level of comfort and safety, including active distance assistant DISTRONIC, active steering assistant and active traffic jam assistant. A maximum of comfort and safety on the way to autonomous driving - including features such as the Active Distance Assistant DISTRONIC or the Active Steering Assistant. A highlight is the Active Traffic Jam Assistant, which can noticeably relieve you when driving on the motorway in stop-and-go traffic.



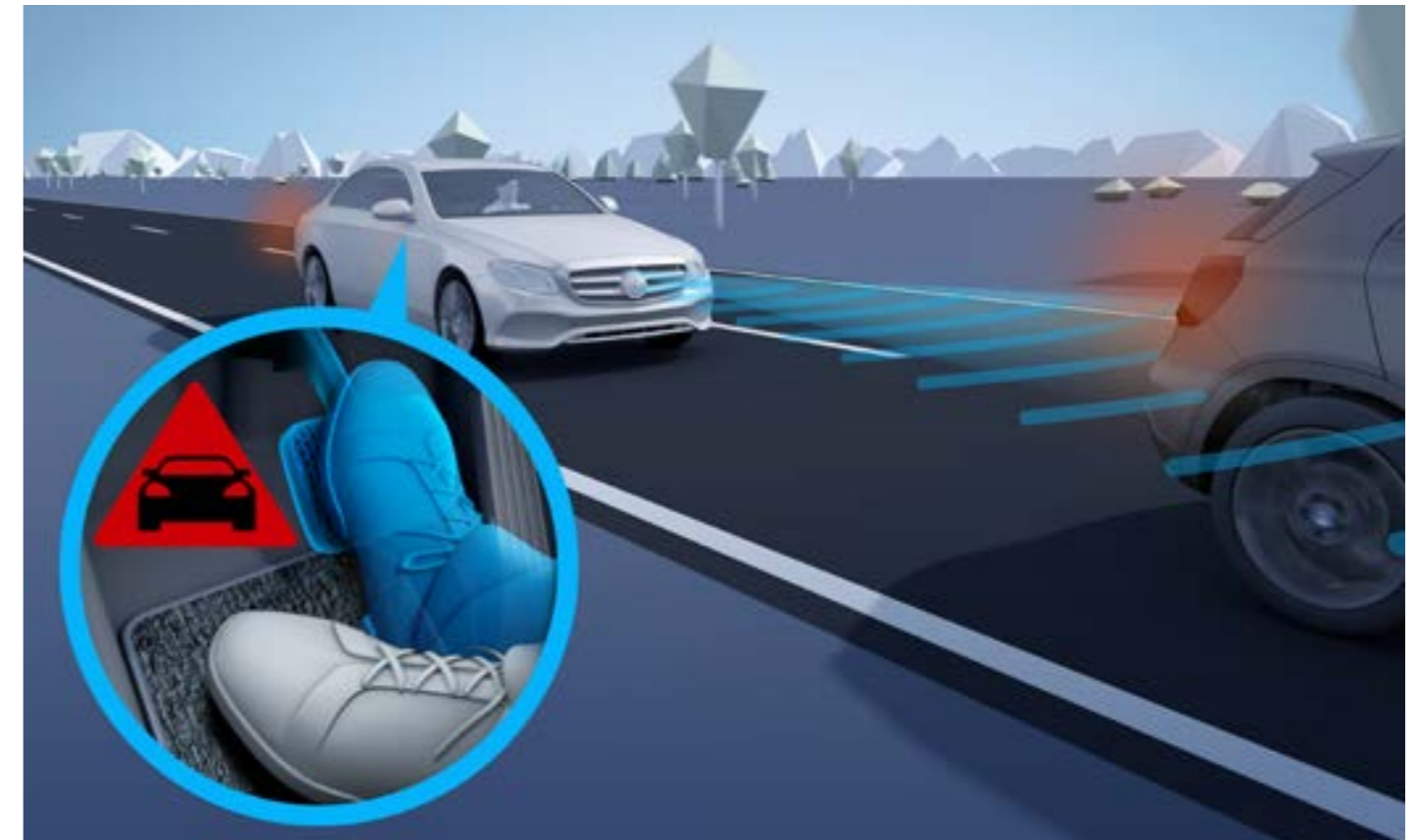
## KEYLESS-GO comfort package

Convenient vehicle access including KEYLESS-GO access and driving authorization system as well as HANDS-FREE ACCESS. Start and lock your vehicle conveniently by simply carrying your key with you. With the HANDS-FREE ACCESS function, you can also open and close the tailgate fully automatically and without contact.

\*Chargeable.

## Blind Spot Assist

Blind spot monitoring, including exit warning function. Blind Spot Assist can warn you visually and acoustically of side collisions with other road users - especially when you use the turn signal to change lanes. After the journey, the exit warning function supports you when opening the door. An important protection, especially for cyclists.



## Active Brake Assist

Can help avoid collisions with other road users or reduce the consequences. This assistant can help to avoid rear-end collisions with vehicles in front or stationary, as well as accidents with moving pedestrians or cyclists. In addition to distance and collision warnings, the system also offers situation-appropriate brake boosting - including autonomous emergency braking.





## AMG Braking System\*

Stable brake system with internally ventilated and perforated brake discs on the front and rear axles. With the AMG high-performance braking system, you can control the speed precisely and reduce it to the precise point. The generously sized brake discs are internally ventilated all around.

## EASY-PACK Tailgate

Electrically opening and closing tailgate with storable opening height. You can easily open and close the EASY-PACK tailgate electrically. This makes loading and unloading the luggage compartment even more comfortable. You can easily start opening and closing at the push of a button and interrupt it at any time by pressing another button.



## Dashcam\*

The dashcam films the traffic in front of your vehicle including time and speed. The dashcam films the traffic in front of your vehicle and records the time and speed. For example, you can document the course of an accident or capture routes and landscapes that are worth seeing.



## Fire extinguisher\*

\*Chargeable.

# Paintwork

Emerald Green



High-tech Silver



Obsidian Black



Polar White



Selenite Grey



Sodalite Blue



## Paintwork

MANUFAKTUR Alpine Grey Solid



MANUFAKTUR Hyacinth Red Metallic



MANUFAKTUR Opalite White Bright



## Upholstery



AMG Exclusive nappa leather black\*



AMG Exclusive STYLE nappa leather black\*



AMG nappa leather, two-tone bahia brown black



AMG nappa leather, two-tone macchiato beige black

## Upholstery



Exclusive nappa AMG leather, two-tone bahia brown black\*



Exclusive nappa AMG leather, two-tone red pepper black\*



Exclusive nappa AMG leather, two-tone macchiato beige black\*

\*Please read the disclaimer

\*Chargeable.

## Trim Options



**Anthracite open-pore oak wood trim elements\***



**Brown open-pore walnut wood trim\***



**Brushed aluminium trim with light longitudinal grain**



**High-gloss brown limestructure lime wood trim**

\*Please read the disclaimer

\*Chargeable.

## Alloy Wheels



53.3 cm (21-inch) AMG 5-twin-spoke light-alloy wheels painted himalayas grey with a high-sheen finish



53.3 cm (21-inch) AMG 5-twin-spoke light-alloy wheels painted black with a high-sheen finish\*



55.9 cm (22-inch) AMG cross-spoke forged wheels painted in himalayas grey with high-sheen finish\*



55.9 cm (22-inch) AMG cross-spoke forged wheels painted in matt black with high-sheen rim flange\*



## Genuine Accessories



### Basic carrier bars, Alustyle

Precisely matched to the body of the vehicle, the aluminium bars provide a basis for many Mercedes-Benz transport solutions



### AMG valve caps, with Affalterbach badge

AMG valve caps as a highlight of high-quality light-alloy wheels.



### AMG hub cap, with AMG emblem, set of 4

Exclusive design in aluminium, embossed with the traditional AMG emblem – a highlight for your AMG light-alloy wheels.



### AMG door pin, round

AMG door pin in high-quality stainless steel.

## Genuine Accessories



### All-season floor mats Dynamic Squares, driver's/ co-driver's mat, Set of 2

Made from robust, washable synthetic material for heavy use. New three-dimensional design with recessed and elevated areas and raised border.



### All-season floor mats Dynamic Squares, rear, Set of 2

Made from robust, washable synthetic material for heavy use. New three-dimensional design with recessed and elevated areas and raised border.



### Flacon perfume atomiser, FOREST MOOD

The interior of the vehicle can be fragranced to suit your own individual preference with the AIR-BALANCE package Flacon, FOREST MOOD.

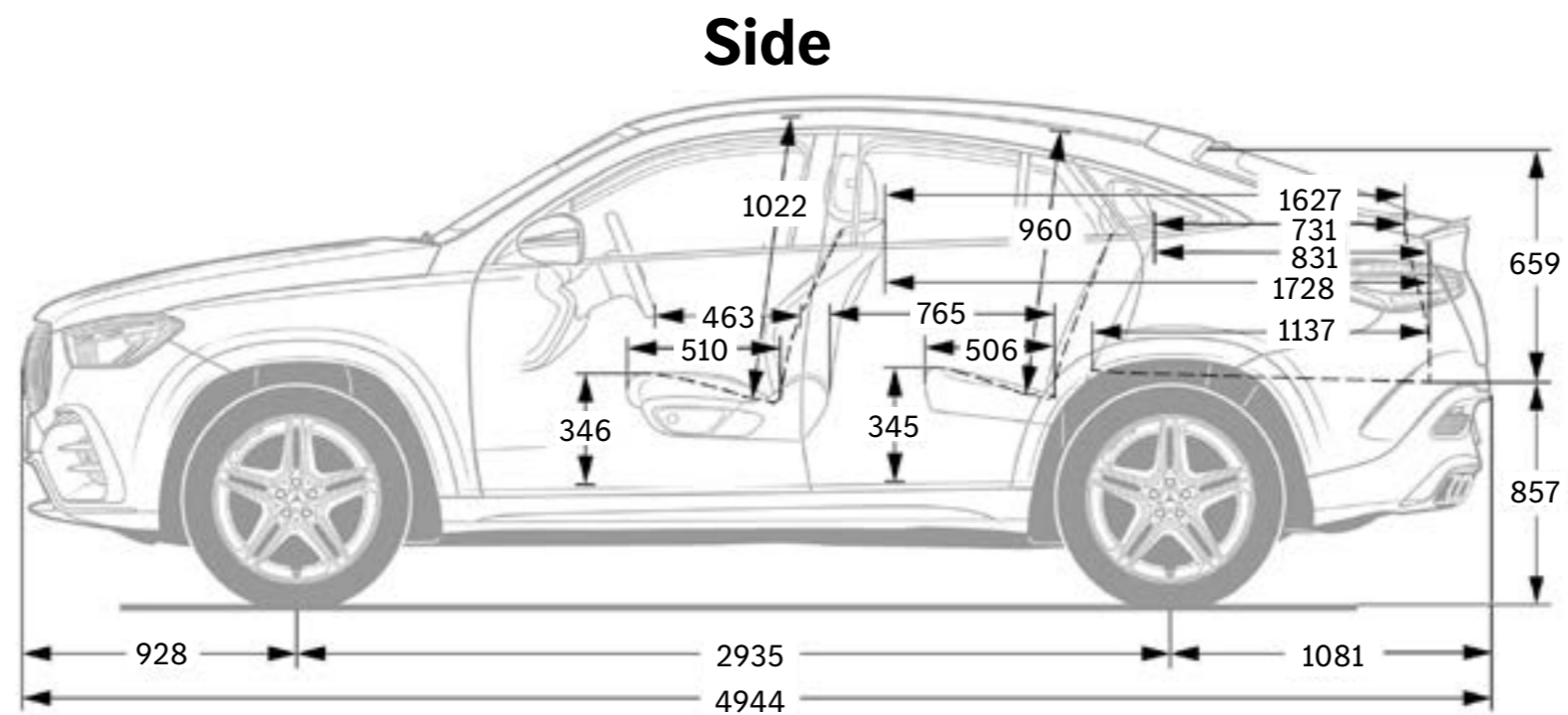
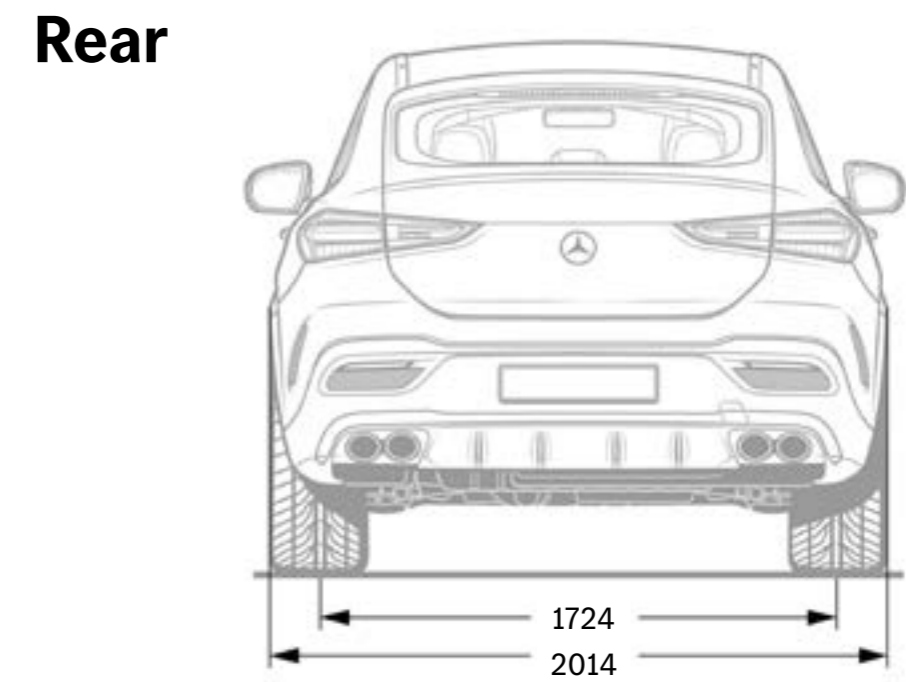
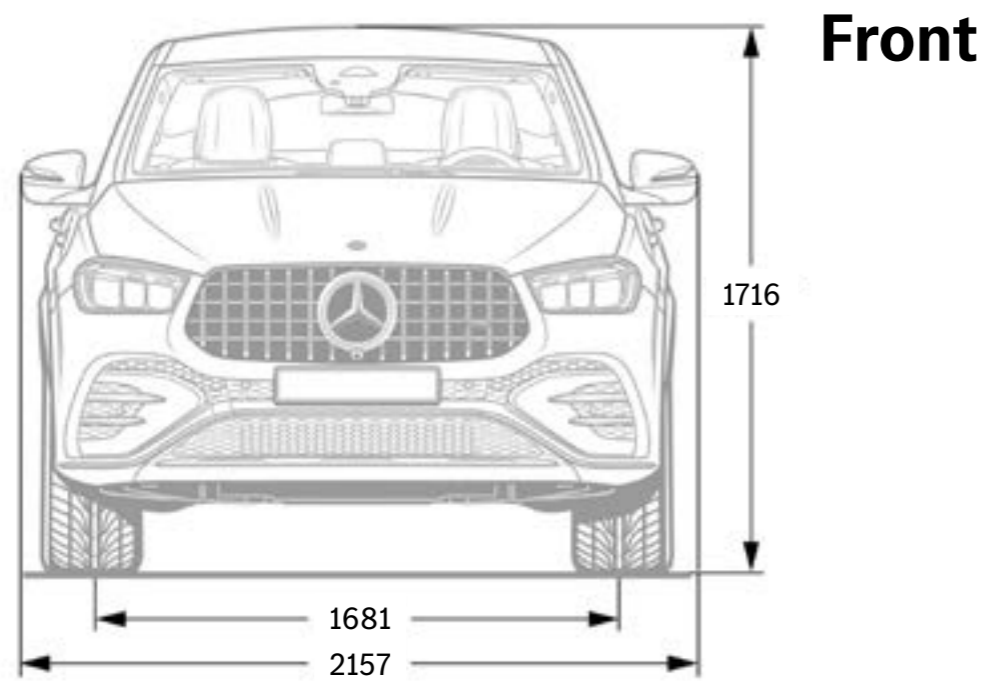
## Technical Data

### AMG GLE 53 4MATIC+ Coupé

Total Displacement	2999 cc
No. of Cylinders	6
Rated Output	320 kW (435hp) @ 5800-6100 rpm
Rated Torque	560 Nm @ 2200 - 5000 rpm
Transmission	9G-TRONIC
Acceleration	5s
Top Speed	250 km/h

The integrated starter alternator (ISG) electrically supports the combustion engine in certain operating states with up to 15 kW of additional power and up to 200 Nm more torque. You will particularly notice this benefit when you accelerate. On the other hand, electric support of the combustion engine also brings fuel consumption advantages. The ISG operates with a separate 48 V on-board electrical system.

## Dimensions





## Mercedes-Benz Services

### Advance Assurance Program

#### Extending your warranty coverage

With Advance Assurance Program, experience complete peace of mind. While this Extended Warranty Program kicks in the moment your standard 3 years warranty comes to an end, it can be extended further up to 6 years at a nominal price. Also, it comes with a bouquet of privileges for a worry-free time with your Star.

### Star Ease

#### Delivering the best-in-class value

Servicing your Star does not get any better than this. With the STAR Ease Maintenance Packages, pay a defined cost of maintenance based on the model, contract period and mileage and say goodbye to spending on service every time. Plus, enjoy exclusive features like priority handling, shorter waiting time and quicker processes.

## Mercedes-Benz Services

### Mobilo

#### Providing you 24x7 mobility support

Your vehicle comes with Mobilo which provides round-the-clock on-road assistance service. Mobilo comes as a standard for 3 years and can be extended further up to 8 years at a nominal cost. This service offers privileges like vehicle towing facility, replacement vehicle, hotel accommodation, just to name a few.

### Digital Service Drive

#### Ensuring convenience and transparency of service.

Servicing your Star is the last thing you will ever have to worry about. We provide transparent, convenient and hassle-free service. Our customer-friendly service features work around your busy schedule so that you have one less thing to focus upon.





## Mercedes-Benz Services

### Mercedes-Benz Genuine Parts\*\*

#### Now with 2 years of warranty

Mercedes-Benz Genuine Parts are crafted to the state-of-the-art standards of Mercedes-Benz, protecting your vehicle's performance while maintaining the style, comfort and safety, for the years to come. Also, they come with a warranty of up to 2 years, ensuring you a peaceful ownership experience with your Star.

\*\*Terms and Conditions apply.

### Premier Express Prime\*

#### Because we value your time as much as you do

Life gets busy and so we have designed Premier Express, our vehicle care service to help you get in and out quickly. While the visit will be brief, the service offered by our technicians will be comprehensive and complete. All to ensure your Mercedes-Benz is running for miles to come.

\*Available at selected locations and will be expanded to more locations.

## Mercedes-Benz Services

### Mercedes-Benz Approved Tyres and Alloys

#### Ensuring every ride is a safe and joyful one

Maximise the safety and comfort of your Star with Mercedes-Benz approved tyres and rims. While the Mercedes-Benz approved tyres are designed to optimally match your car's performance, the Mercedes-Benz approved rims are designed to lend an exceptional style to the exterior of your Star and are also engineered for optimal performance.

### Mercedes-Benz Genuine Chemical Products

#### Because your Star deserves nothing but the original

Mercedes-Benz Genuine Chemical Products are specially tested for compatibility with the materials in our cars and meet the high quality standards. Also, our products have been approved under Mercedes-Benz Group AG's strict, self-imposed environmental norms. Now with Mercedes-Benz Genuine Chemical Products, experience a whole new world of superior products that support throughout the car's life cycle.







Mercedes-Benz India Private Limited: E-3, MIDC Chakan - Phase III, Chakan Industrial Area, Kuruli & Nighoje, Tal: Khed, Pune - 410 501 (India) Toll free No.: 0008000501888. e-mail: cs.ind@cac.mercedes-benz.com, website: www.mercedes-benz.co.in Please note: This brochure is intended for general information, description and illustration of the Product including optional functions and equipment and may not be specific to a Product since specification of a product may change from time to time. Optional features, functions and equipment etc. may not be present in the Standard or Variant Product or Special Edition Product. Further, Standard specifications of a product may also vary from time to time. Colours may differ from those shown in pictures in the brochure. Mercedes-Benz India reserves the right to make changes without prior notice, in design, colours, materials, components, equipment, specifications, features, functions, make and models etc. The information given in this brochure shall be regarded as accurate at the time of launch and may vary thereafter due to any developments or any other reason. Interested customers should reach out to the Authorised Franchise Partner for further information on the exact specifications, features of the product.

Images shown are for representation purposes only. Some of the vehicles in the Brochure are left hand drive wheel. However, Mercedes-Benz India only manufactures and sells vehicles as per the applicable motor vehicle regulations in India. All vehicles sold by Mercedes-Benz Authorized Franchise Partners shall be with right hand drive wheels only. All title, ownership rights and intellectual property rights in and relating to this brochure/magazine or publication material or any copies thereof including but not limited to copyright, logos, names, trademarks, service marks, design, text, images, links, concepts and themes are owned by Mercedes-Benz Group AG and/or its subsidiaries collectively or used under authorised license by the Mercedes-Benz Group AG. Any reproduction, transmission, publication, performance, broadcast, alteration, license, creation of derivative works or other use in whole or in part in any manner without the prior written consent of Mercedes-Benz India Pvt. Ltd is strictly prohibited. Please note that certain services are offered free of cost for a period of three (03) years and may be chargeable at the expiry of three (03) years from the date of activation of such services. If you wish to continue using those services, you may renew the same through Mercedes Me Store (as and when it is available). Please get in touch with your preferred Franchise Partner for more details. Mercedes-Benz cars: The Mercedes-AMG GLE 53 4MATIC+ Coupé meets Bharat Stage VI equivalent emission norms. CIN - U34102PN1994PTC083160