

The EQA



Mercedes-Benz





Switch on to stand out.



Sustainability

*Please read the disclaimer

Sustainable Production

Mercedes-Benz Rastatt plant

All of our Mercedes-Benz cars factories around the world plan to be CO₂ neutral. Mercedes-Benz EQA is built in the Rastatt plant in Germany. Electric vehicles of the product and technology brand EQ flexibly roll off the same assembly line as vehicles with conventional drives here.



Sustainable Materials

Raw materials from certified mining

Mercedes-Benz looks at the entire value chain, from development and the supplier network to its own production. Responsibly mined and processed raw materials provide the foundation for a sustainable Mercedes-Benz electric vehicle fleet.

Sustainable Mobility

Pure Electric with pure emotions

Locally emission-free driving pleasure, virtually silent with full access to inner city zones.





E-Motor & Battery



High-torque, virtually silent and low-vibration: this efficient electric drive system (eATS) combines the advantages of all-electric driving. At its heart lies the asynchronous machine whose power drives the front wheels. When you are not demanding any drive power from the electric machine, it can convert kinetic energy into electrical energy - for example when braking - and use it to charge the high-voltage battery.



Design

Electric Art Exterior

Design elements for exclusive electromobility, including 19" alloy wheels and color accents in rose gold. With the Electric Art Line, you can feel the electric mobility in every fibre of the interior. Color accents in rose gold adorn both the upholstery and the air vents. The backlit decorative element also symbolizes technological progress. Special 19-inch alloy wheels convey this quality to the outside.



Panoramic sunroof

Generous glass roof with electric sunblind, anti-pinch protection and PRE-SAFE® locking function. With the spacious panoramic sliding roof, you will experience a fascinating feeling of freedom and a pleasantly bright ambience in the interior. From the outside, your vehicle looks particularly exclusive.



Illuminated door sills with EQA lettering

Illuminated door sills with EQA lettering. The high-quality stainless steel door sills are elegantly illuminated. Thanks to the replaceable cover, you can swap the door sills for other attractive original parts from Mercedes-Benz. This makes even getting in and out an experience.



Fully digital instrument display

Individually configurable digital instrument display with 10.25" screen diagonal. You can configure the large, high-resolution 10.25" display individually. For example, you can display the power meter in the right tube. Depending on your mood, you can choose the display style: "Classic", "Sporty" or "Understated".

Ambient lighting

Elegant ambient lighting with 64 colours and pre-programmed colour worlds. With a total of 64 colors, you can stage the interior according to your personal preferences. Fascinating color worlds alternate dynamically or illuminate several areas in different colors.



Multifunction sports steering wheel in nappa leather

Sporty steering wheel in nappa leather and 3-double-spoke design, with galvanized steering wheel shift paddles in silver chrome and touch control panels. The multifunction sports steering wheel in nappa leather has a flattened bottom and is deeply embossed in the grip area - an excellent prerequisite for sporty driving. You can control the most important vehicle functions using the touch control panels without having to take your hands off the steering wheel.



Comfort seats

Comfortable seats with luggage net on driver and passenger side, adjustable in length, height as well as seat cushion inclination and length. The comfort seats are fully adjustable in length and height. You can also change the angle of the seat and even extend it on the driver's side. The nets attached to the back of the backrest allow for quick storage.



Surround lighting with projection of the brand logo

Illumination of the entry area at the front doors with brand logo. When the doors are open, the ambient lighting projects the brand logo onto the floor in the front entry area. This makes getting in and out even more comfortable. The presentation of the brand logo is also a real eye-catcher.

LED High Performance Headlights

LED headlights with high beam range, durable, efficient, with eye-friendly light and including adaptive high beam assist. The LED high-performance headlights illuminate the road with a wide beam of light and pleasant warm white light, much more precisely and generously than conventional halogen or bi-xenon headlights. This gives you better visibility and therefore more safety.





Technology



Driver and co-driver seats electrically adjustable with memory function

Electrically adjustable driver's seat including memory function with 3 storage options and ENERGIZING seat kinetics. With the memory function, you can save up to 3 different sitting positions and select them comfortably. You can easily adjust the seat electrically and continuously. The ENERGIZING seat kinetics is a blessing for the back muscles, which tire less quickly.



Seat comfort package

Special seating comfort, including seat cushion inclination adjustment for the front seats and extendable seat cushion. The seat comfort package combines a wide range of adjustment options for the front seats. This means you can quickly find an ergonomic seating position that is perfectly tailored to your individual needs. The extendable seat cushion increases the support surface for the thighs by up to 6 centimeters - a highlight for tall drivers.

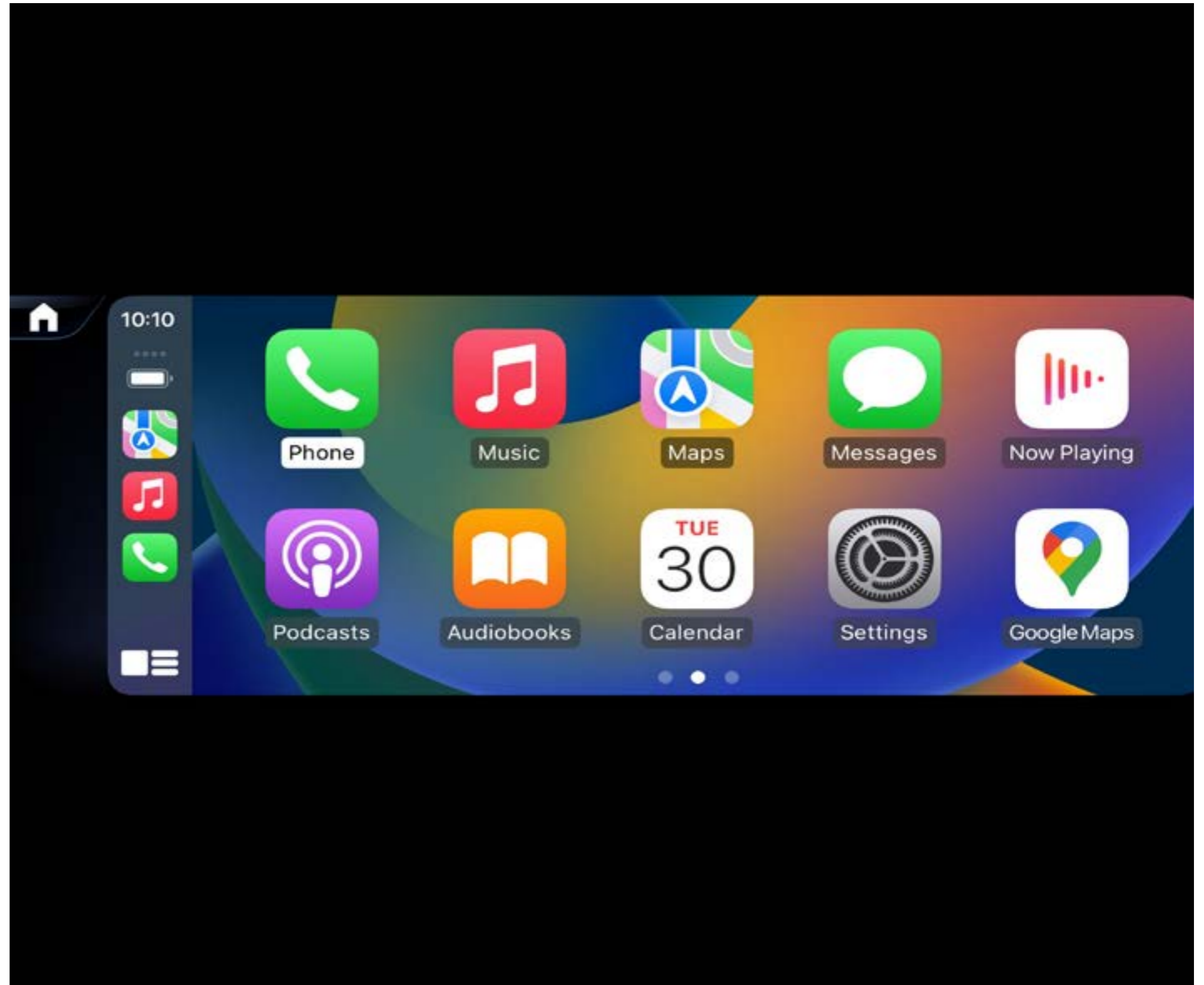
4-way lumbar support

Adjustment of the seat contour to the lumbar spine with 4 adjustment options. The 4-way lumbar support adjusts the seat contour to your lumbar spine and provides support. 4 settings are possible: higher, lower, weaker or stronger. Your sitting posture becomes more ergonomic and your back muscles more relaxed.



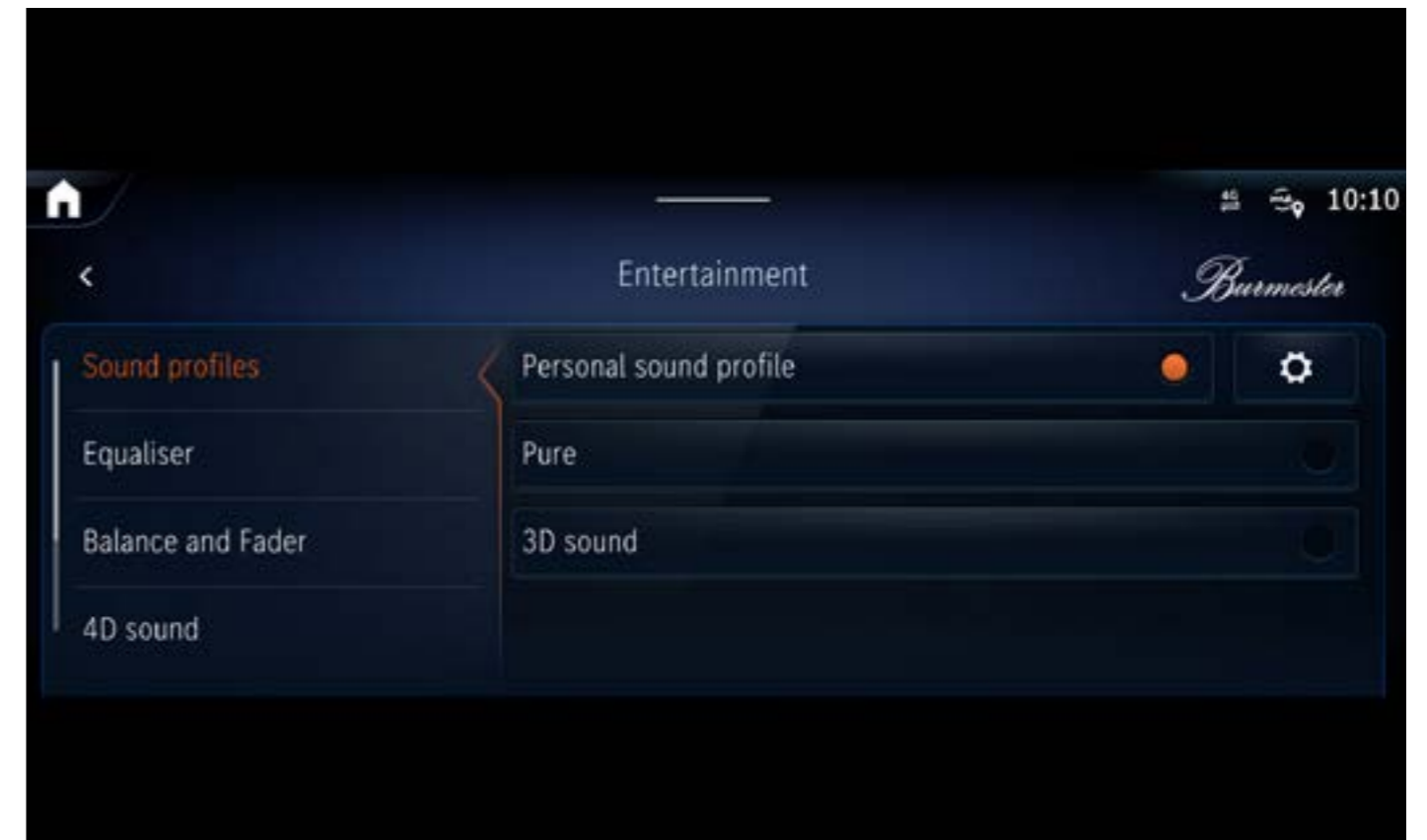
Smartphone Integration

Connect your mobile phone wirelessly to the MBUX multimedia system via Android Auto™ or Apple CarPlay™. The smartphone integration connects the mobile phone wirelessly to the MBUX multimedia system via Apple CarPlay™ and Android Auto™. This gives you convenient access to the most important applications on your smartphone. You can also use third-party apps such as Spotify quickly and easily.



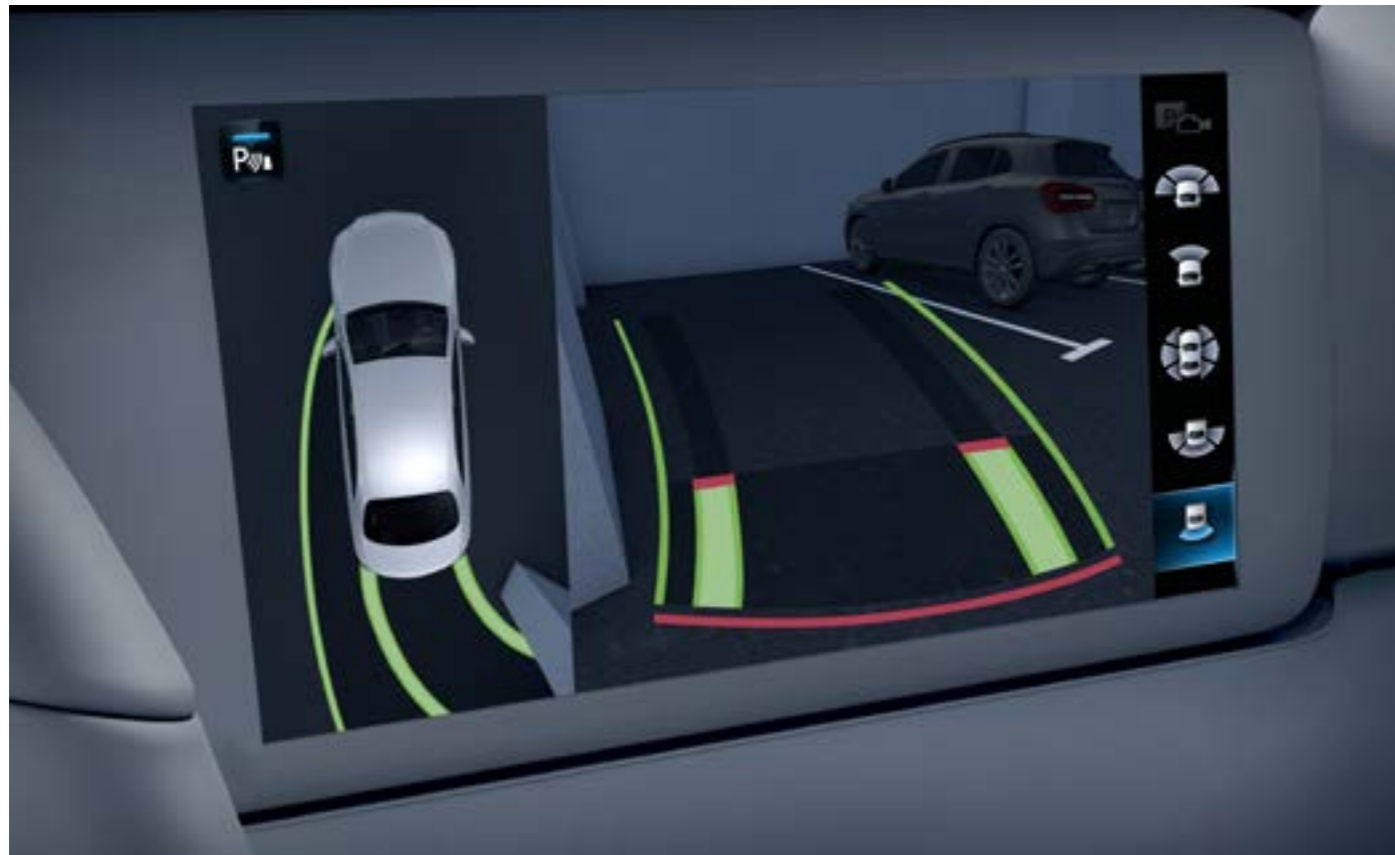
Burmester® surround sound system

Premium sound with 12 speakers, 710 watts system power, interior sound experience and Dolby Atmos®. With 12 loudspeakers and 710 watts of system power, you can enjoy the legendary Burmester® sound. The loudspeakers with elegant lettering produce a first-class surround sound. The specially designed sound experience in the interior enhances your electric driving experience. You can also play music in Dolby Atmos® quality.



Sound personalization

Digital setup assistant for the perfect sound setup of your Burmester® sound system. A digital setup assistant works with you to determine your music preferences and adjusts the Burmester® sound system to your requirements. The result is saved in a personal profile. This makes it easy to achieve your perfect sound setup.

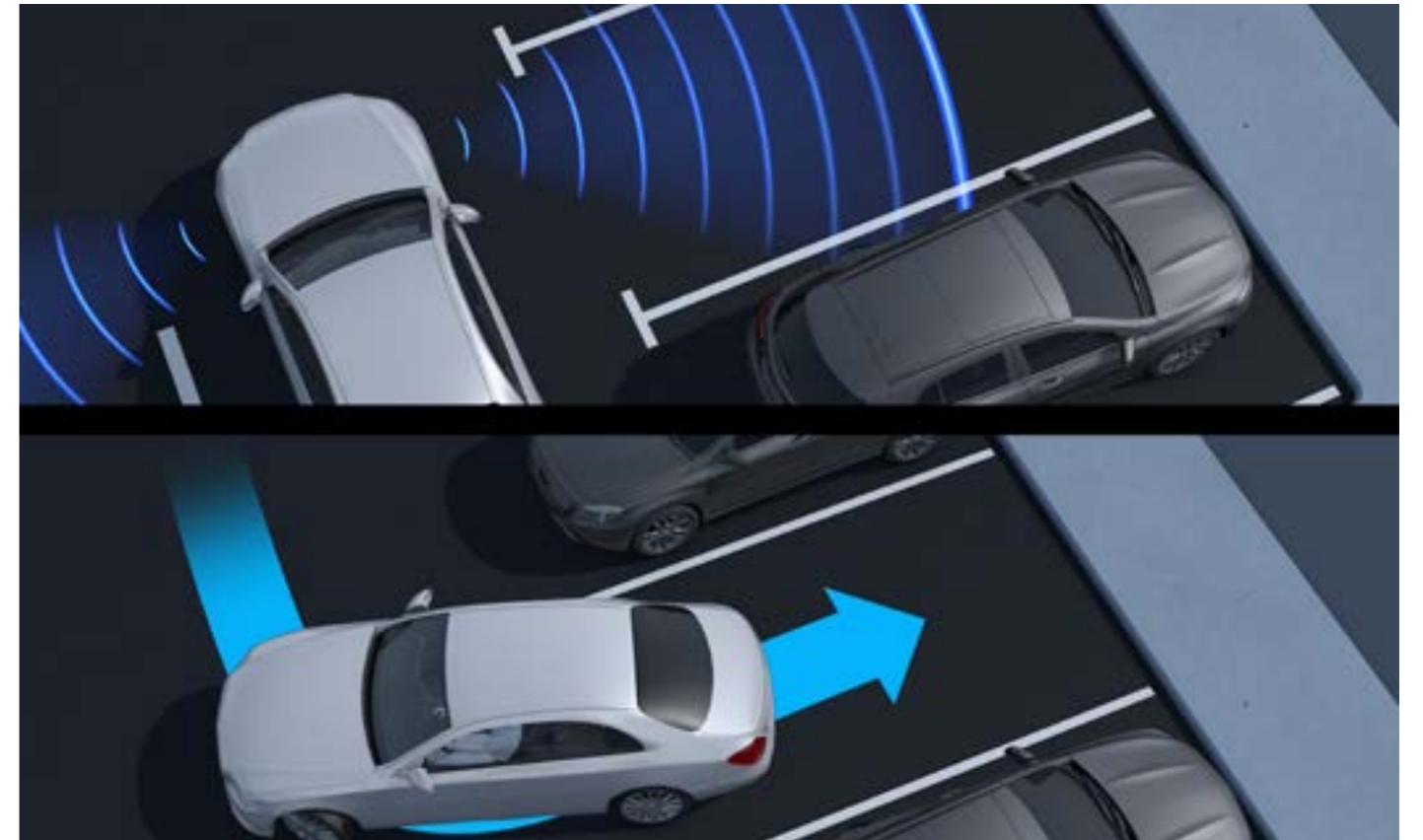


Parking package with 360° camera

Comprehensive support when parking and reversing including 360° camera and Active Parking Assistant with PARKTRONIC. The 360° camera gives you an all-round view including a bird's eye view. This means you can master even tight, confusing parking situations with ease. The Active Parking Assistant with PARKTRONIC supports you in finding a parking space and in parking and reversing out of suitable perpendicular parking spaces.

Active Parking Assist with PARKTRONIC

Turn the stress of parking in tight spaces into a smooth and effortless procedure. Active Parking Assist with PARKTRONIC finds parking spaces for you and assists you when entering and exiting a parking space. It helps you with steering and also with accelerating and braking.



MBUX Interior Assistant

Contactless ease of use, including natural and active hand movements. The MBUX Interior Assistant supports operation by reacting to body language. It detects and interprets your hand and arm movements. Selected functions, such as activating the search light or reading light, can be activated in the blink of an eye. The system can differentiate between the driver and front passenger.



Head-up display

Full-color head-up display to show information such as speed or navigation instructions. The head-up display turns your windshield into a digital cockpit. With the virtual full-color image, you always have important information right in front of you. Your full attention is on the road and the traffic ahead of you.



Hard drive navigation

Navigates you quickly to your desired destination including 2D and 3D map display and route options such as Eco and Automatic. Thanks to the fast hard drive navigation, you save time with flexible inputs via touch controls or voice input. The 3D displays of sights, for example, are also a visual delight. The intelligent system reliably guides you to your destination and uses both local and current online information.

Digital key handover

Share your vehicle conveniently with family and friends via the Mercedes me app. Share your vehicle with friends and family members - no matter where you are, simply using the Mercedes me app. You stay in control and decide who you give your Mercedes to. You can use the app to unlock your vehicle remotely and activate the stored vehicle key for the user in the vehicle.



EASY-PACK tailgate

Electrically opening and closing tailgate with storable opening height. The EASY-PACK tailgate can be opened and closed electrically. This makes loading and unloading the luggage compartment even more convenient. You can start the opening and closing process at the touch of a button and interrupt it at any time by pressing another button.



KEYLESS-GO Comfort Package

Convenient vehicle access including KEYLESS-GO access and driving authorization system and HANDS-FREE ACCESS. Open, start and lock your vehicle by simply carrying your key with you. With HANDS-FREE ACCESS you can also conveniently open and close the tailgate with a kicking motion under the bumper.



Automatic climate control THERMOTRONIC

Automatic climate control with 2 climate zones, fine dust activated carbon filter and automatic air recirculation. The THERMOTRONIC regulates the individual temperature in 2 zones. This means that you and your passenger can set the desired climate separately. You never have to adjust it, because the sensitive sensors also register changes in conditions such as sunlight.

Adaptive High Beam Assistant

Automatic switching on and off of the high beam. The adaptive high beam assistant automatically switches on the high beam when it does not detect any illuminated vehicles ahead or oncoming traffic. The high beam range allows you to see the road and hazards better. Push the steering wheel control lever to the high beam position to activate the function.



Wireless charging system for mobile devices at the front

Wireless charging of your mobile devices in the spontaneous storage. With just one movement of your hand, your smartphone is in its permanent place in the spontaneous storage and is charged wirelessly. Regardless of model and brand, compatible smartphones charge wirelessly.



USB Package Plus

A total of 5 fast-charging and backlit USB-C ports for your mobile devices. With a total of 5 USB-C interfaces and a 12 V socket, you and your passengers can easily charge mobile devices. All USB ports in the vehicle are also discreetly backlit and capable of quick charging. You can also transfer data such as your stored music to the MBUX multimedia system via devices connected to the front.



CENTRAL MEDIA DISPLAY

High-resolution media display with 10.25" screen diagonal and touch input. The high-resolution media display connects you with your vehicle in large format (10.25"). It reacts to your inputs with touch sensitivity. Symbols make operation easier.

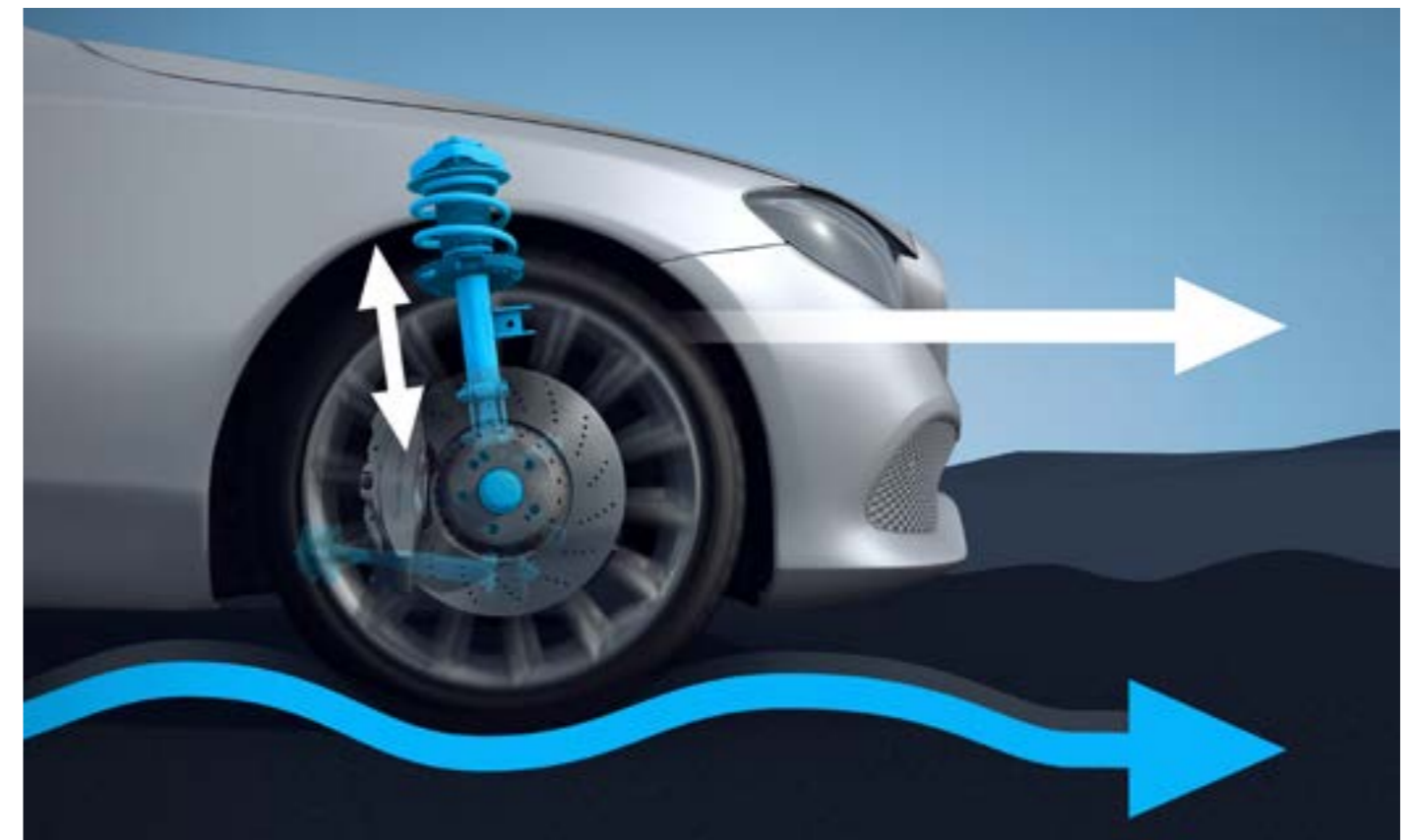
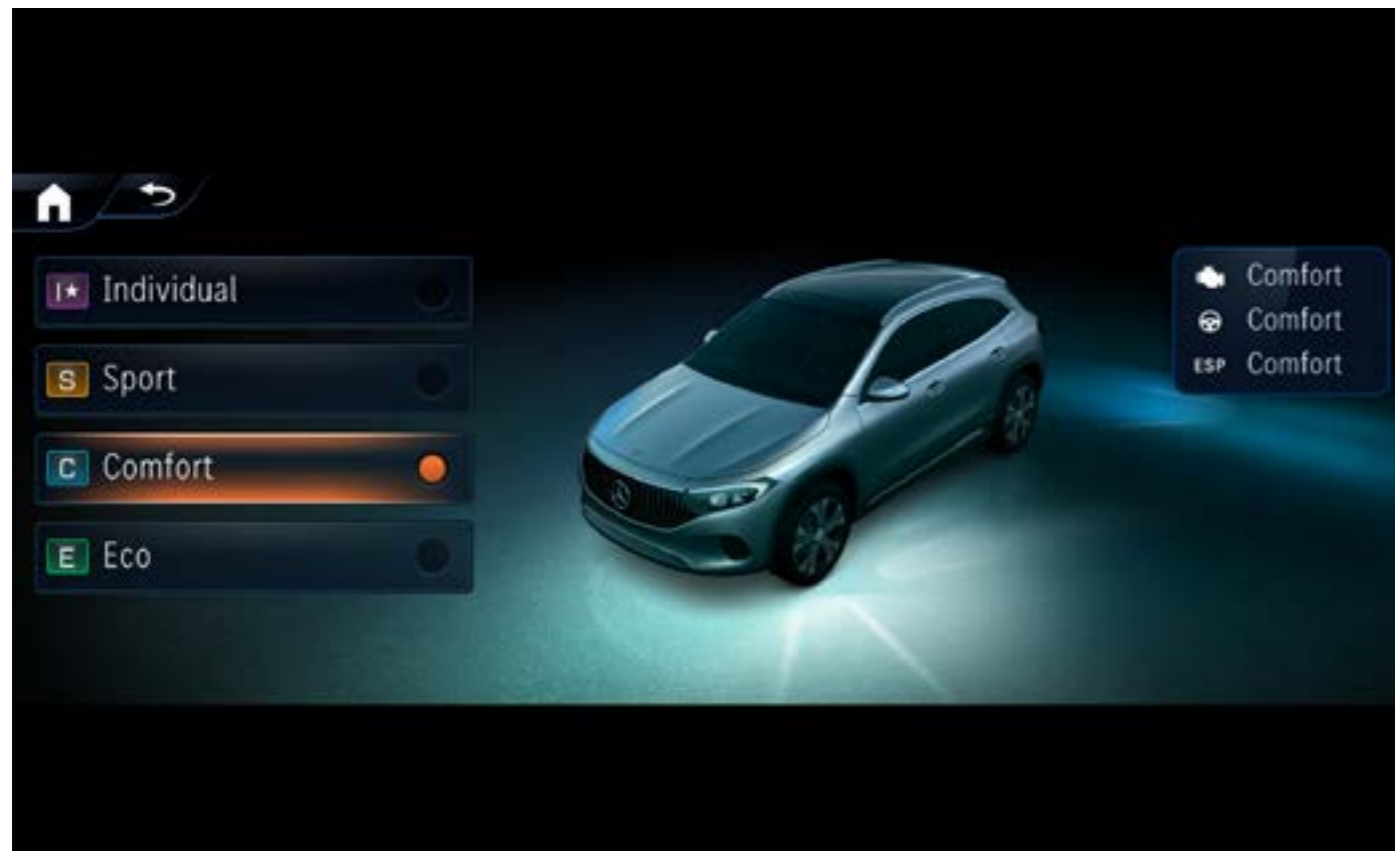
MBUX Navigation Premium

Fast and well-connected navigation, including online route guidance, precise real-time traffic information and car-to-X communication*. With MBUX Navigation Premium, you can reach your destination quickly and with the best information. You can rely on up-to-date map data including satellite views, precise real-time traffic information and fast online route guidance. Intelligently networked functions also make your journey safer.



DYNAMIC SELECT

4 driving programs for an ideally adapted driving experience from comfortable to sporty. With DYNAMIC SELECT, you can activate the energy-efficient “Eco” driving program at the touch of a button, thereby increasing your range. The steering wheel shift paddles also adjust the recovery of braking energy. In contrast, the Sport mode mobilizes the vehement power of the electric motors even more spiritedly.



Comfort chassis

Comfortable chassis for a balanced ride and sporty potential. High comfort on long stretches of highway, sporty potential when cornering: the comfort chassis combines appealing suspension reserves with very good driving stability. This balanced combination makes your journey safer and more enjoyable.

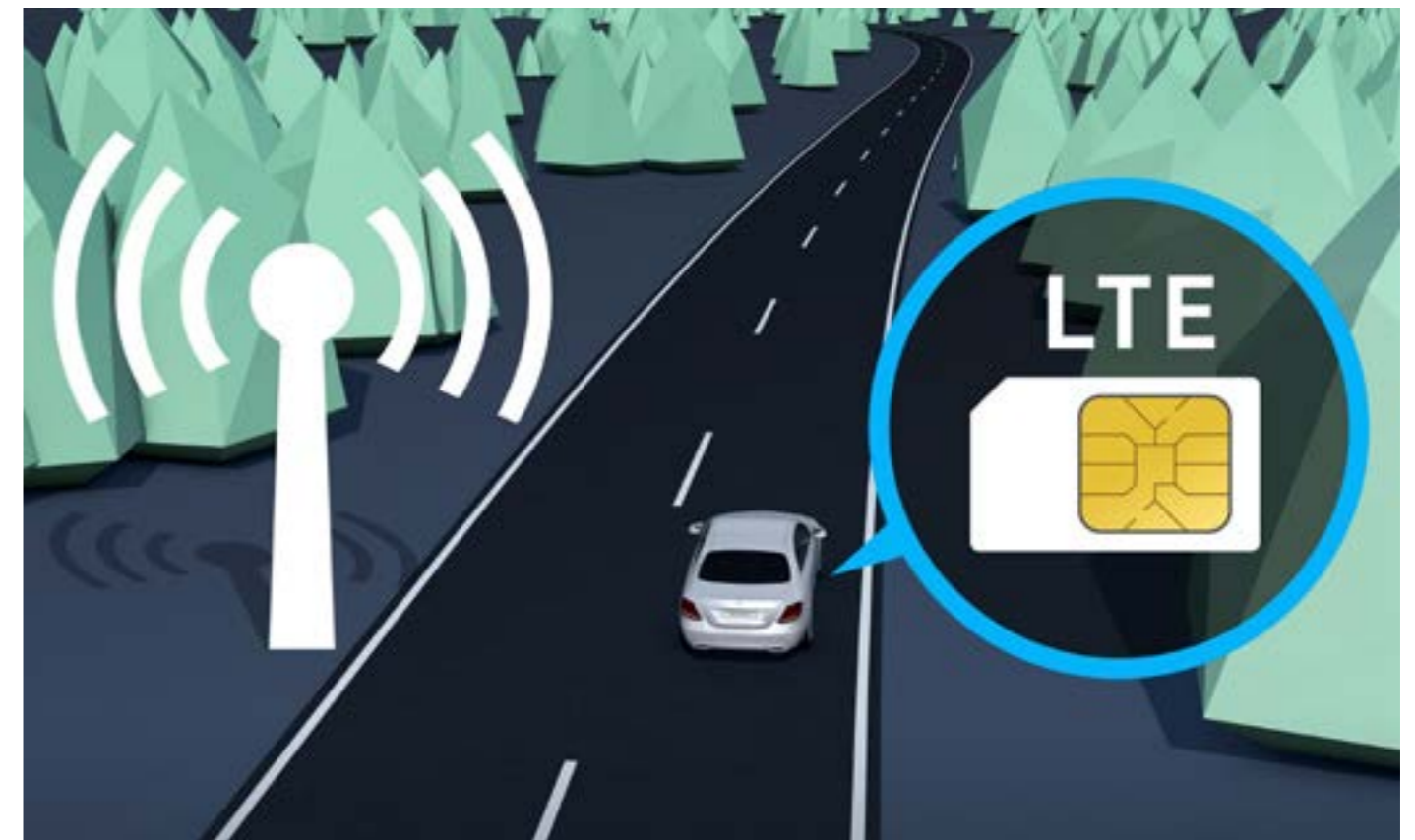


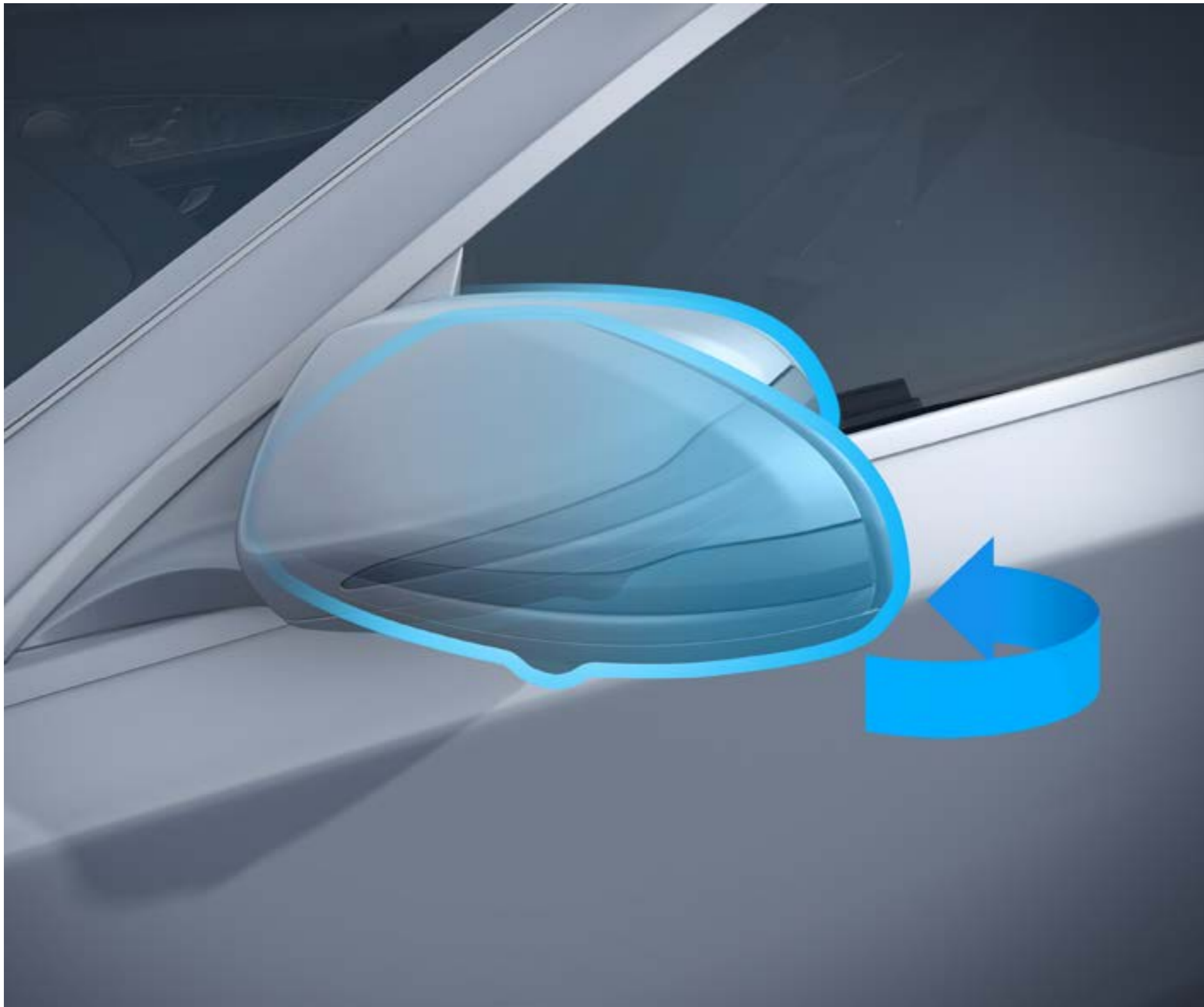
Live Traffic Information

Real-time traffic data for optimized route guidance. Live Traffic Information receives more precise and up-to-date traffic data in real time than conventional systems and optimizes dynamic route guidance. You can react to many situations and easily avoid traffic jams and stop-and-go traffic. This way you can reach your destination faster, on the best route and without stress.

Communication module (LTE) for the use of Mercedes me connect services

LTE communication module for data transmission, including for the use of Mercedes me connect services*. The communication module with a vehicle-mounted, LTE-capable SIM card continuously connects you with your vehicle - and the vehicle with the infrastructure such as the Mercedes-Benz server or the Internet. This enables you to use services such as Live Traffic Information* from Mercedes me connect.





Mirror package

Mirror package, including electrically folding exterior mirrors and automatically dimming interior mirror. You can fold the exterior mirrors electrically, making your vehicle look slimmer at the touch of a button. This means that small parking spaces suddenly become large enough. The interior mirror can also register annoying headlights from behind and dim automatically.



Mercedes me connect allows drivers to stay in touch with their vehicles from anywhere in the world and to obtain assistance at the touch of a button.

Mercedes me

Pre-entry climate control

You can pre-programme the pre-climatisation via MBUX or the app. When pre-heating via the pre-entry climate control, not only is the air inside the vehicle heated but – depending on equipment – the seats are also heated. Pre-cooling, on the other hand, switches on the electric air conditioning and thus lowers the interior temperature; if seat climate control is selected, it is also activated.

Navigation Connectivity package

The combination of the standard-fit communication module (LTE) and the hard-disc navigation makes sure that you always reach your destination as quickly as possible by the best route.

Vehicle Set-Up

Remote Retrieval of Vehicle Status: Information on Mercedes me App or the Mercedes me Portal.

Remote Door Locking and Unlocking: You can conveniently remotely lock or unlock your vehicle from the Mercedes me App.

Speed Alert: Receive an alert if your vehicle exceeds a certain speed.

Mercedes-Benz emergency call system

The Mercedes-Benz emergency call system can save you vital minutes in an emergency. If an accident is detected, a communications module with its own SIM card automatically triggers an emergency call which could shorten the time until rescue services arrive.

Please note that certain services are offered free of cost for a period of three (03) years and may be chargeable at the expiry of three (03) years from the date of activation of such services. If you wish to continue using those services, you may renew the same through Mercedes Me Store (as and when it is available). Please get in touch with your preferred Franchise Partner for more details.

Mercedes *me*

Vehicle Finder (enables horn and light flashing)

Find your vehicle in large parking lots with ease. Simply blow the horn or flash the headlamps through the app to locate your vehicle

Mercedes me Service app: Your digital assistant

Keep a tab on your Star's maintenance with ease. Get timely maintenance and service reminders. Book a service appointment and search for nearest showrooms with a single touch.

What's more, access expert tips to keep your Star in its best shape with car care videos.

Windows open close from App

Open/Close the windows of your Mercedes-Benz remotely through the app. This enables better ventilation before you get into the car.





Safety

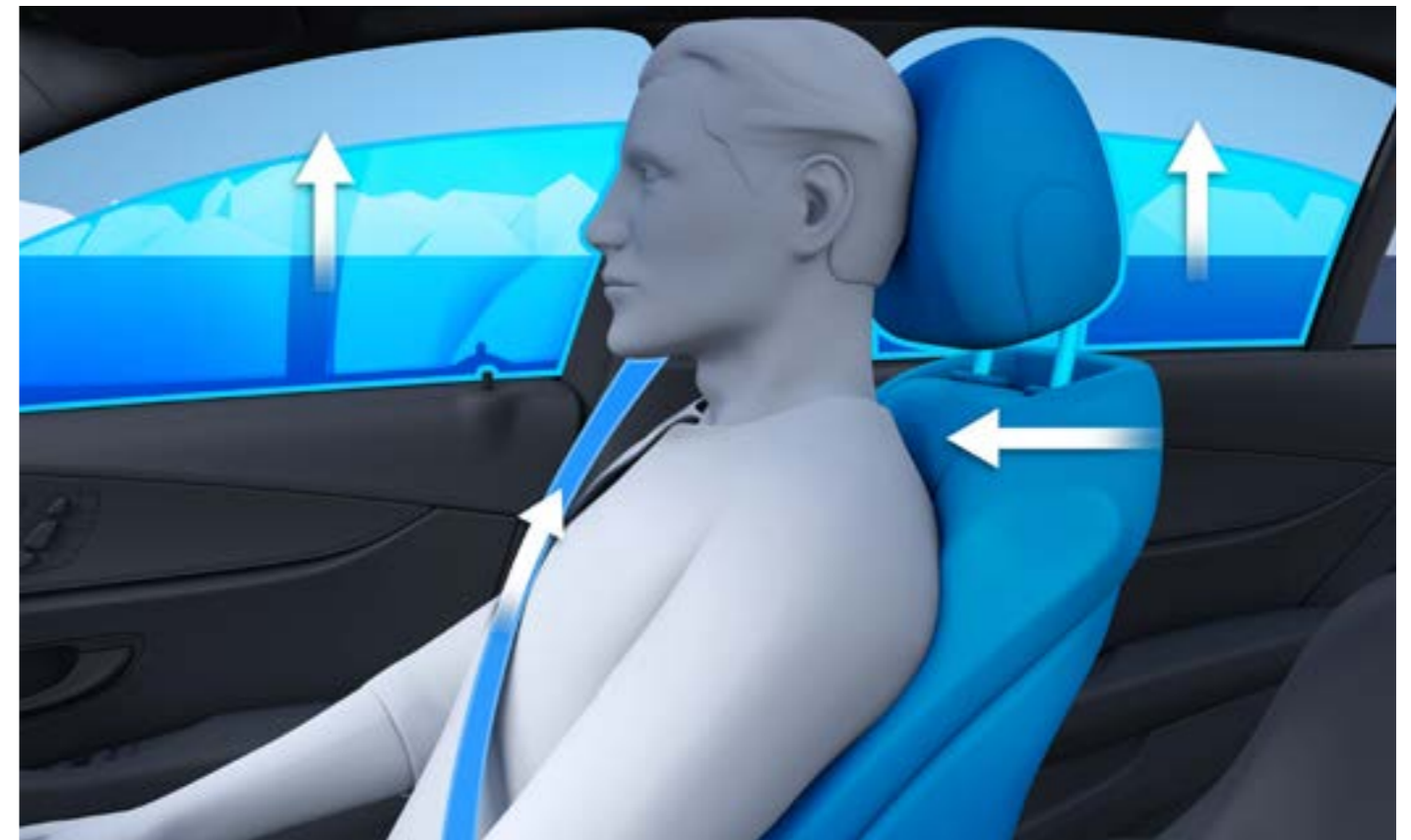


Knee bag

Knee bag to protect the legs in a severe frontal crash. The knee bag protects your legs from contact with the steering column or dashboard in the event of a serious frontal crash. This can prevent or mitigate injuries. The air cushion unfolds in milliseconds and stabilizes the entire body. This means that the entire restraint system, including the seat belt, works together as effectively as possible.

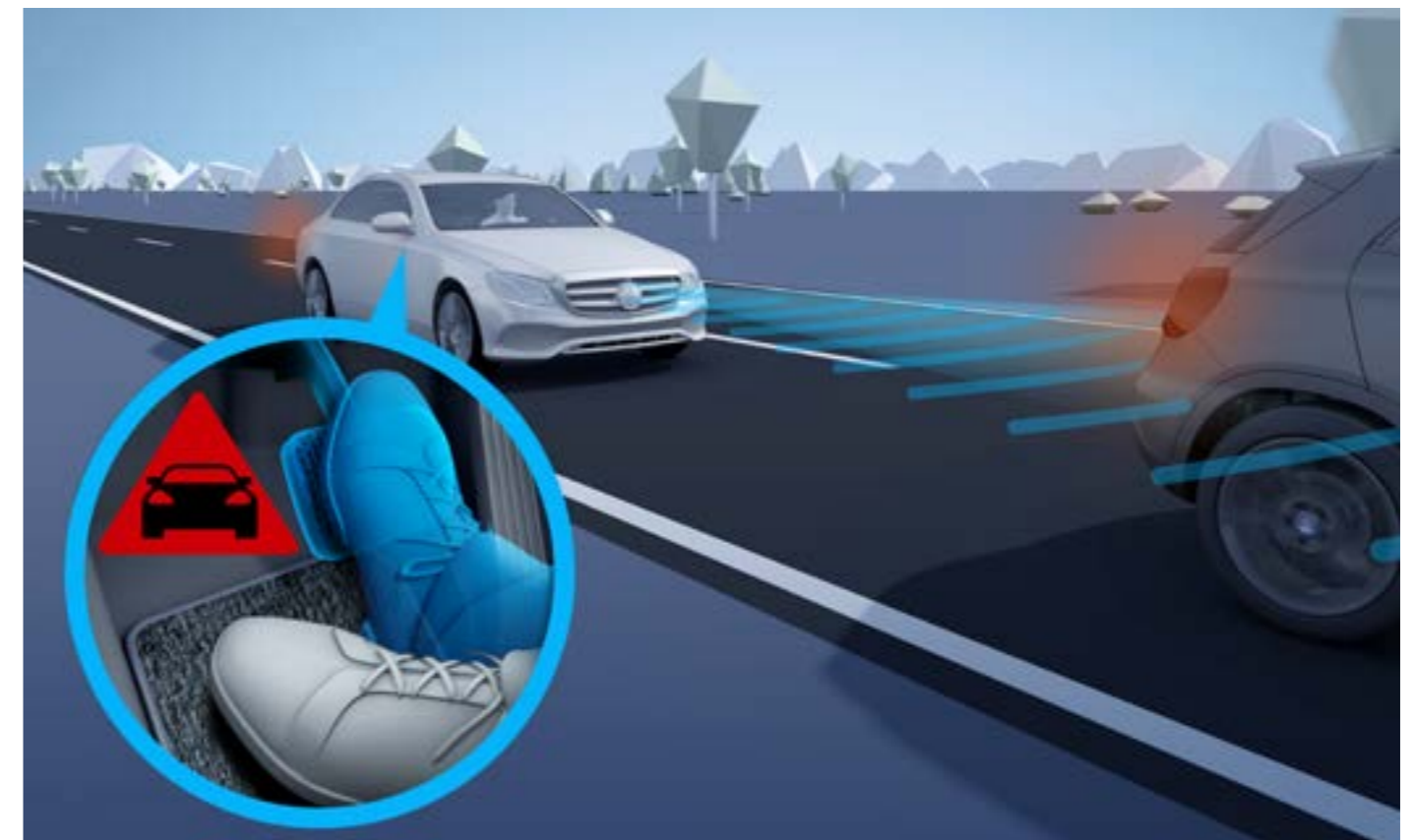
PRE-SAFE®

Preventive occupant protection, including PRE-SAFE® Sound, reversible belt tensioning and closing function for the side windows. If an accident is imminent, PRE-SAFE® takes measures to reduce the stress on you and your passengers. For example, the system tightens the seat belts or closes the side windows. The innovative PRE-SAFE® Sound can protect the inner ear by dampening the noise of the accident.



Mercedes-Benz emergency call system

Automatic emergency call in the event of traffic accidents including transmission of position data and estimated number of people. The Mercedes-Benz emergency call system can provide a decisive time advantage in an emergency. If an accident is detected, an emergency call is automatically triggered via a communication module with its own SIM card, which can shorten the time until rescue services arrive. The emergency call can also be triggered manually to organize help.

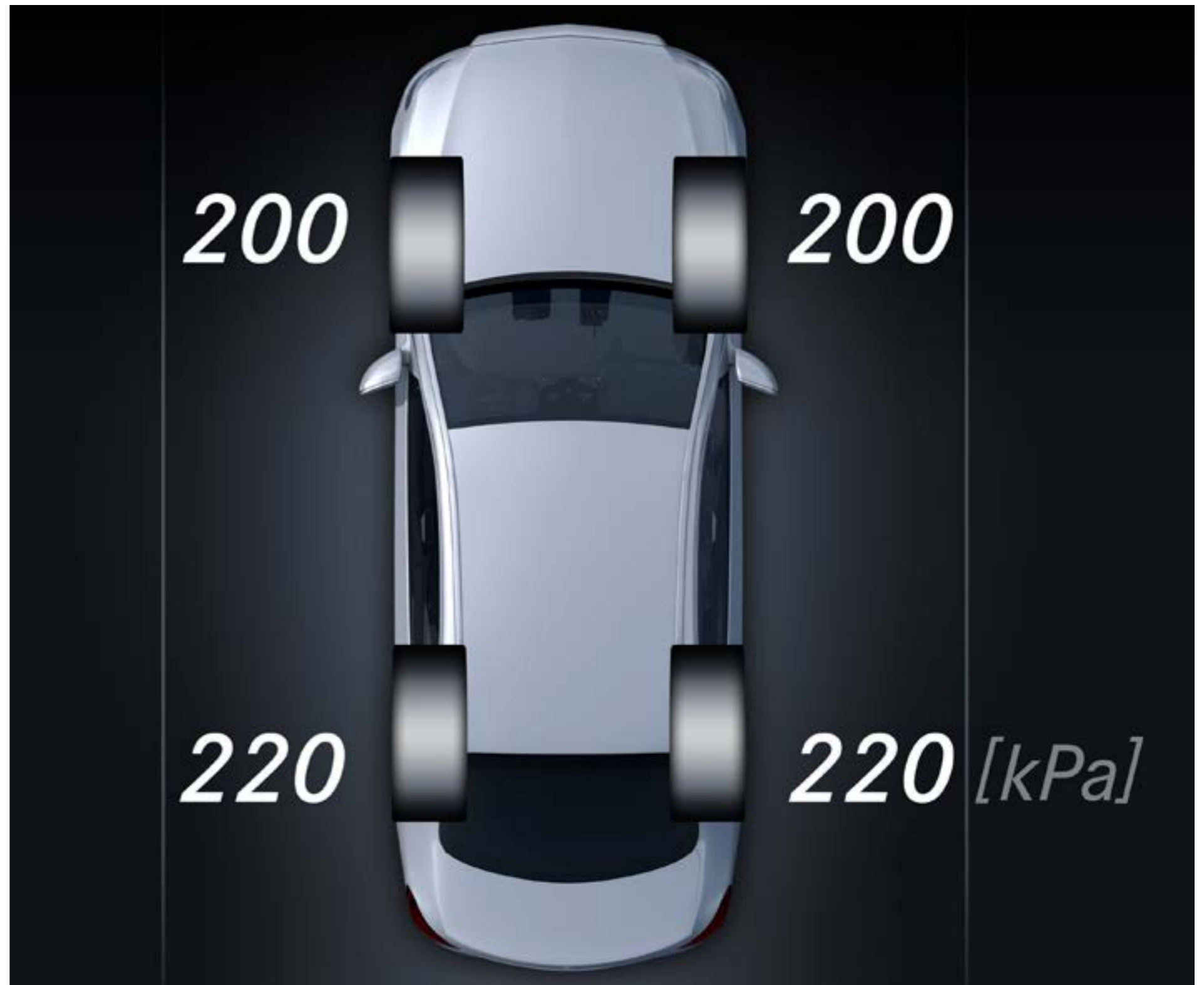


Active Brake Assist

Can help to avoid collisions with other road users or reduce the consequences, including autonomous emergency braking and turning function. This assistant can help to avoid collisions with vehicles driving ahead or stationary, oncoming traffic when turning, and moving pedestrians and cyclists. In addition to the distance and collision warning, the system also offers situation-appropriate braking assistance - up to and including autonomous emergency braking.

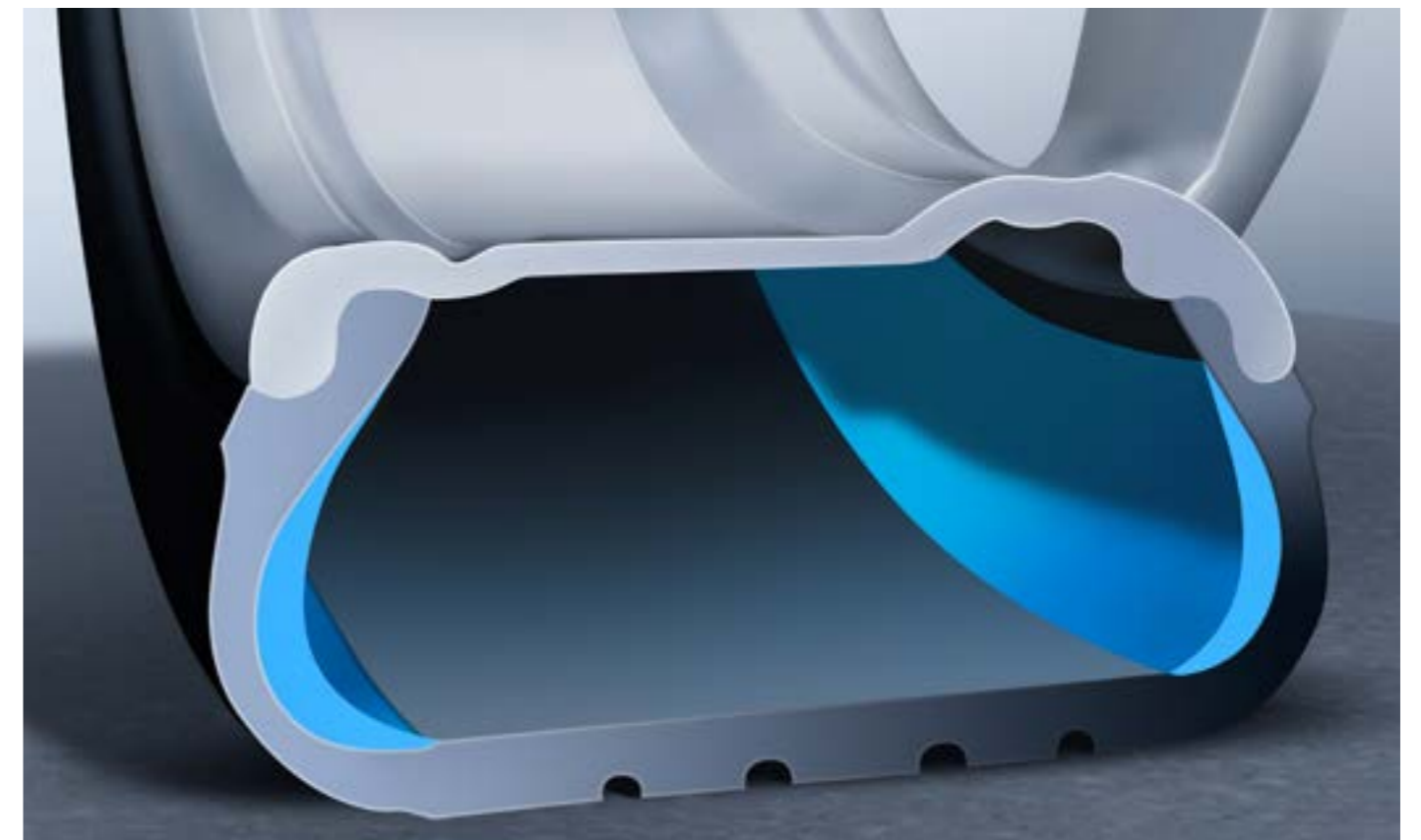
Tire pressure control

Control system for monitoring tire pressure including warning in case of pressure drop. The system monitors the tire pressure and warns you if the pressure drops. This allows you to react immediately and add air. Tire pressure that is too low can, for example, increase the braking distance and increase the risk of an accident. Correct tire pressure improves tire mileage.



Summer tires

Tyres with optimized rolling resistance - for reduced fuel consumption and CO2 emissions. The rolling resistance optimized summer tyres are characterized by lower energy losses during rolling and deformation of the tyre. This saves fuel and reduces CO2 emissions.



Tires with run-flat properties

Tires with reinforced sidewalls to continue driving to the nearest workshop in case of pressure loss. Stay mobile even if you lose pressure in one or more tires. Thanks to the reinforced sidewalls of your tires, you can safely leave dangerous areas such as tunnels or motorways and head to the nearest workshop. Depending on the load, up to 80 km at a maximum of 80 km/h is possible.



Acoustic environmental protection

Mercedes-Benz specific sound warns cyclists and pedestrians at speeds up to 30 km/h. To ensure that your vehicle does not pose a danger to pedestrians and cyclists even when driving purely electrically and almost silently, the acoustic environment protection generates a Mercedes-Benz-specific sound outside the vehicle up to a speed of around 30 km/h. The so-called Acoustic Vehicle Alerting System (AVAS) cannot be switched off.

Blind Spot Assist

Blind spot monitoring, including exit warning function. The blind spot assistant can warn you visually and acoustically of side collisions with other road users - especially when you activate the indicator to change lanes. After the journey, the exit warning function helps you open the door. An important protection, especially for cyclists.





Standard Equipment

Double cup holder

Removable cup holder in the front center console. With the double cup holder in the front area of the center console, you always have your drink within reach. Securely attach 2 bottles or cups there. If you remove the double cup holder, you expand the interior by a large storage area.



Storage compartment in center console with roller blind

Practical storage compartment in the center console with roller blind for everyday items. The practical storage compartment in the center console can accommodate typical everyday items such as mobile devices, a wallet or various keys. Thanks to the elegant roller blind, the interior remains uncluttered.



TIREFIT

Sealant for minor tire defects with tire inflation compressor. Seal minor tire damage caused by broken glass or nails. An air compressor blows sealant into the defective tire. Thanks to this quick temporary solution, you can drive to the next workshop at up to 80 km/h.

Floor mats velour

Black velour floor mats. The velour floor mats are black, regardless of the trim color. This means they blend in perfectly with the interior design. The mats also protect the footwell from dirt - they can be removed, vacuumed or cleaned in no time at all.





Cargo space package

Practical extras for your cargo area, including a 12 V socket, reversible mat and loading sill protection in chrome look. The cargo space package combines additional storage and connection options such as the 12 V socket. Your car gains versatility and becomes a mini power station, e.g. for your cool bag when shopping or at the beach.

Paintwork

Polar White



Cosmos Black



Mountain Grey



High-tech Silver



Spectral Blue



MANUFAKTUR Paints

MANUFAKTUR Mountain Grey MAGNO



MANUFAKTUR Patagonia Red Metallic



Upholstery



ARTICO man-made leather / Cupertino fabric two-tone rose gold / titanium grey pearl

Trim



Star Pattern decorative elements backlit

Alloy



48.3 cm (19-inch) AMG light-alloy wheels in 10-spoke design



Genuine Accessories

Genuine Accessories

Alloy Wheels



5-spoke wheel, Aero, 48.3 cm (19-inch), High-sheen, with blue elements

The long road to perfection Mercedes-Benz light-alloy wheels not only boost your vehicle's looks, they also offer the ultimate in safety.

Hub Caps



Hub cap, raised star



AMG hub cap, with
AMG emblem



Hub cap, star with laurel wreath

Valve Caps



Valve cap, set of 4



AMG valve caps, with
Affalterbach badge

Genuine Accessories

Carrier Systems



Basic carrier bars for roof rails

Aluminum carrier precisely matched to the body of your Mercedes-Benz vehicle, consisting of two crossmembers with cover profiles. Transport solutions: Ski and snowboard rack, bicycle rack or roof boxes.



Mercedes-Benz roof box M, 430 liters

Mercedes-Benz roof box:
The perfect family box for transporting winter and summer accessories such as skis, snowboards, dive equipment, camping equipment, luggage etc. Mercedes-Benz roof boxes ensure you have everything safely contained and fully stowed away.

Side Trim - Carbon Style



The Mercedes-Benz Sport Equipment side trim, with its realistic carbon-fibre look and individual, dynamic 3D effect, underlines the vehicle's dynamic appearance. No entry in vehicle documents required. Simple to secure in place using special adhesive tape.

Genuine Accessories

Roof Spoiler



Unflinchingly individual: a roof spoiler from Mercedes-Benz sets your vehicle apart. It gives the rear a more compact, powerful, accentuated look. Head-turning bodystyling, and safe too: the roof spoiler does not affect the field of vision. Quality on top: the roof spoiler is highly durable, thanks to the use of precision-fit, dimensionally stable polyurethane.

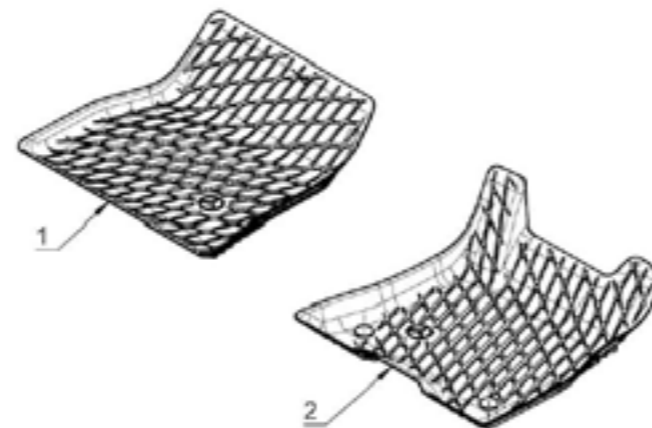
Exchangeable cover for illuminated door sill panels, Mercedes-Benz, Front, set of 2, with Mercedes-Benz Pattern



Looks good and at the same time provides better orientation in the dark: the exchangeable cover in black featuring Mercedes-Benz Pattern for door sills featuring LED lighting. The exchangeable cover not only convinces with simple assembly and a precision fit, but also with its durability and long service life.

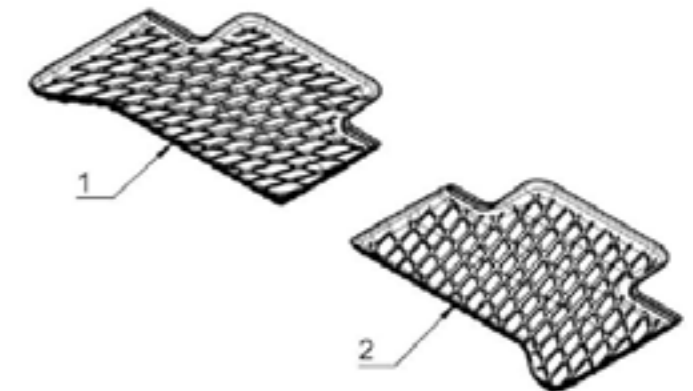
Genuine Accessories

Footwell mould, Dynamic Squares, Driver's/front passenger's mat, Set of 2



Floor mat trays have to undergo rigorous testing before they are deemed worthy of the star logo: Durability, fade-resistant colour and a neutral odour, even after three winters of use, are all specifications which must be met without compromise. The mats are precision-tailored to your Mercedes-Benz using the vehicle's original CAD data and can be clip-fastened to the vehicle floor to prevent slipping.

Footwell mould, Dynamic Squares, Rear, Set of 2



Floor mat trays have to undergo rigorous testing before they are deemed worthy of the star logo: Durability, fade-resistant colour and a neutral odour, even after three winters of use, are all specifications which must be met without compromise. The mats are precision-tailored to your Mercedes-Benz using the vehicle's original CAD data and can be clip-fastened to the vehicle floor to prevent slipping.

Genuine Accessories

Baby Safe Seat



In the Mercedes-Benz BABY-SAFE 3 i_SIZE infant carrier, babies from birth up to an age of 15 months (approved in accordance with R129 for children from 40 to 83 cm, up to a body weight of 13 kg) are safe and comfortable on the road. A rearward-facing baby carrier provides good support for the head, neck and back during a normal journey and in the event of an accident.

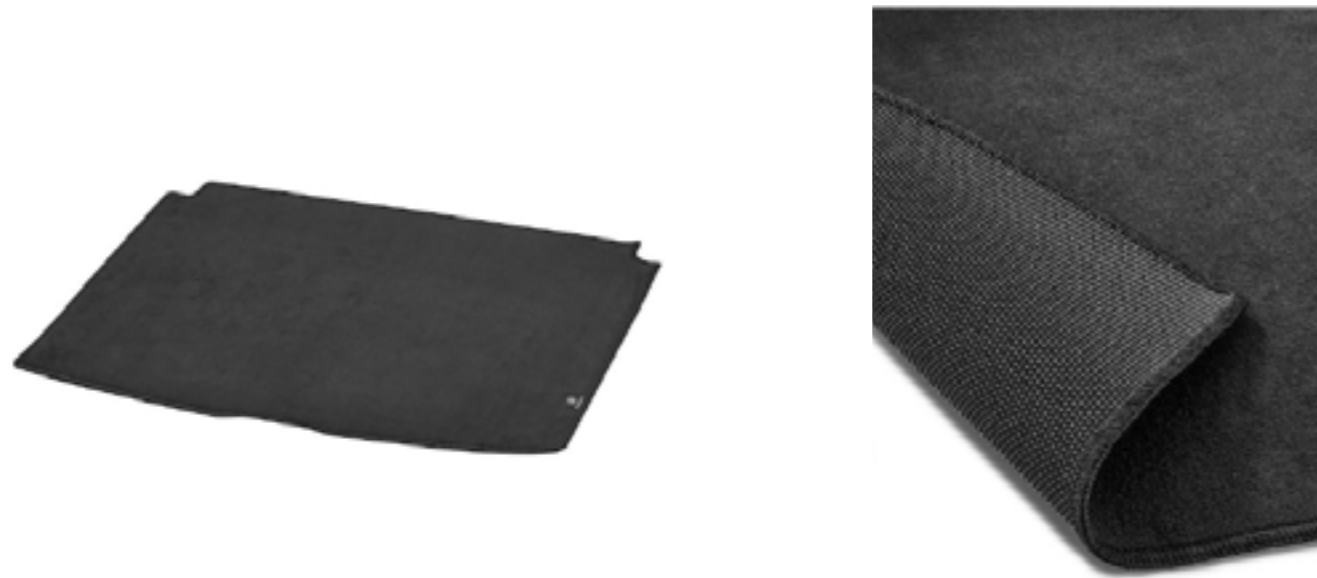
AMG velour floor mats, Set, Set of 4, With AMG web logo



Floor mats have to undergo rigorous testing before they are deemed worthy of the star logo: durability, fade-resistant color and a neutral odor, even after three winters of use, are all specifications which must be met without compromise. The mats are precision-tailored to your Mercedes-Benz using the vehicle's original CAD data. Can be clip-fastened to the vehicle floor to prevent slipping.

Genuine Accessories

Reversible mat



Transport without regret: this anti-slip mat by Mercedes-Benz protects the boot floor during loading and unloading. This anti-slip mat is hardwearing, made from 100% polyester and boasts dual use as it is double-sided: the rubberized and non-slip side minimizes slipping of goods – the soft velour side protects the luggage-compartment floor against moisture and dirt. And if anything should go wrong, it is easy to clean with warm water.

Cool box



Be it cool drinks, a picnic or baby food: the thermoelectric refrigerator box cools upon request and is the perfect companion on any day out. Thanks to its extra thick insulation it can cool up to 5°C, but a max. of 20°C under the outside temperature. It fits perfectly into every Mercedes-Benz vehicle and holds 13 litres. The portable refrigerator box is made up of a textile coating with fitted pockets and a zip. The inside, fixed plastic container is easy to clean. The refrigerator box is powered via the cigarette lighter or a 12-volt socket. Voltage transformers are optionally available for the 220-volt grid. Transportation in the load compartment is recommended for safety reasons.

Dimensions: 41x41x26 cm (HxWxD).

Genuine Accessories

Ashtray & Shopping Crate



Ashtray

The high-quality ashtray in an appealing Mercedes-Benz design ensures that the interior of the vehicle remains clean and free of ash.



Shopping crate, collapsible

A must for any boot/load compartment: the practical shopping crate from Mercedes-Benz – a flexible transport and stowage accessory.

Car Care Kits – Exterior & Interior



Exterior Car Care Kit

- Complete set in high-quality leisure bag with Mercedes-Benz logo
- Two versatile care products: Car shampoo and rim cleaner with sponge and glove
- Practical: Car sponge and car cloth (imitation leather)

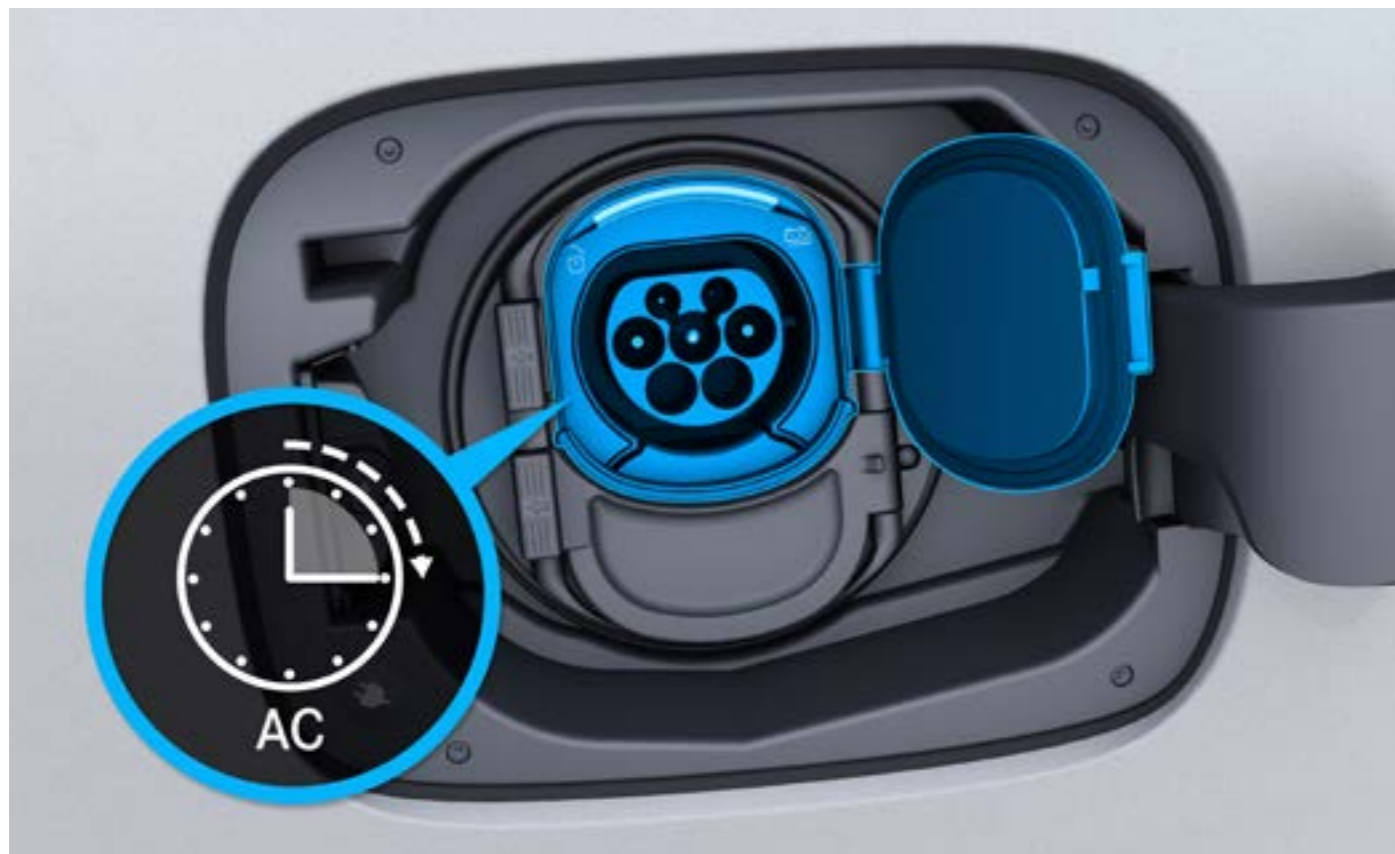


Interior Car Care Kit

- Cockpit lotion ,250 ml
- Window cleaner, inside, 500 ml
- Glass sponge, inside (imitation leather pad), printed with Mercedes-Benz logo
- Window cloth



Charging and Range



Alternating current charging system (AC charging)

With the AC charging system you can charge your vehicle with up to 11 kW at wall boxes or public charging stations. With the AC charging system, you can charge your vehicle quickly and easily with up to 11 kW (3-phase). In addition to the wallbox at home, you can also connect your vehicle to a variety of public charging stations.

Direct current charging system (DC charging)

With the direct current charging system you can charge your vehicle with up to 100 kW at fast charging stations. These supply the direct current required for your high-voltage battery - and the system provides the best possible electric range in a short time.





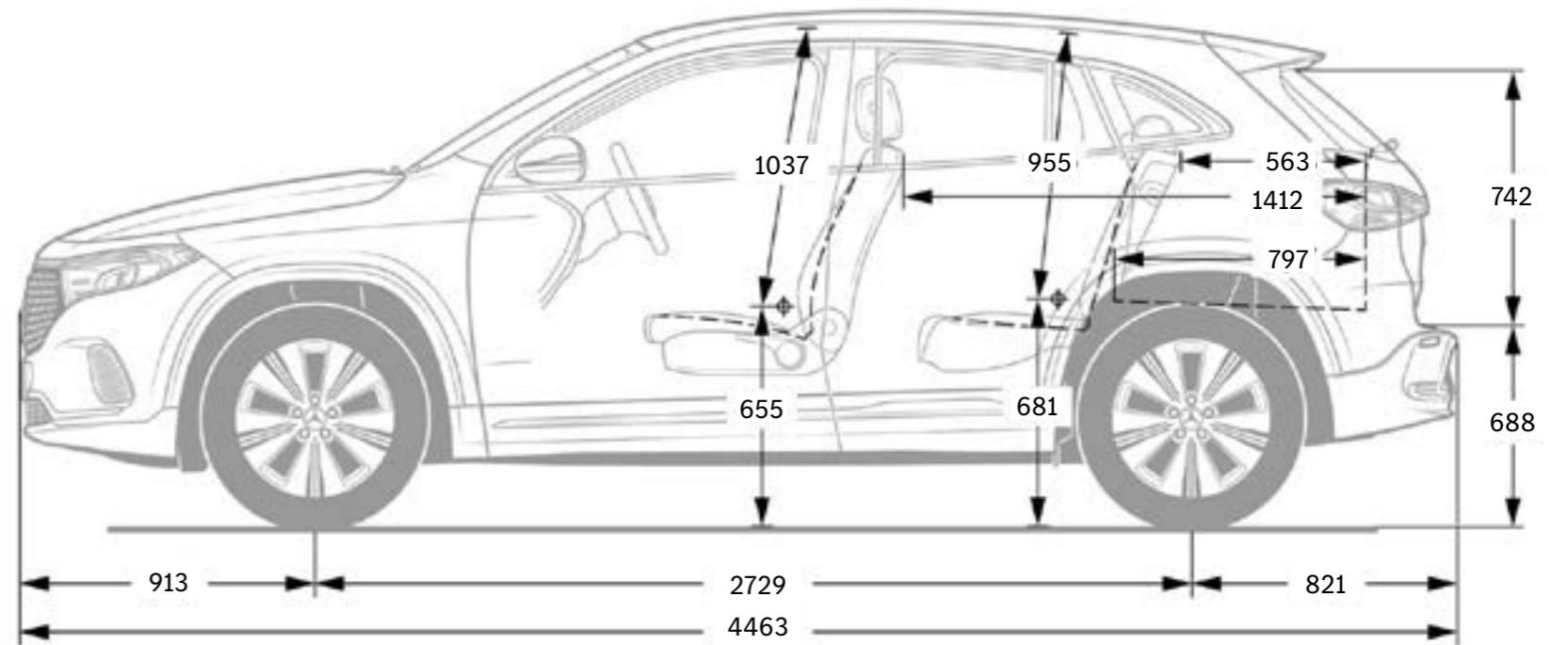
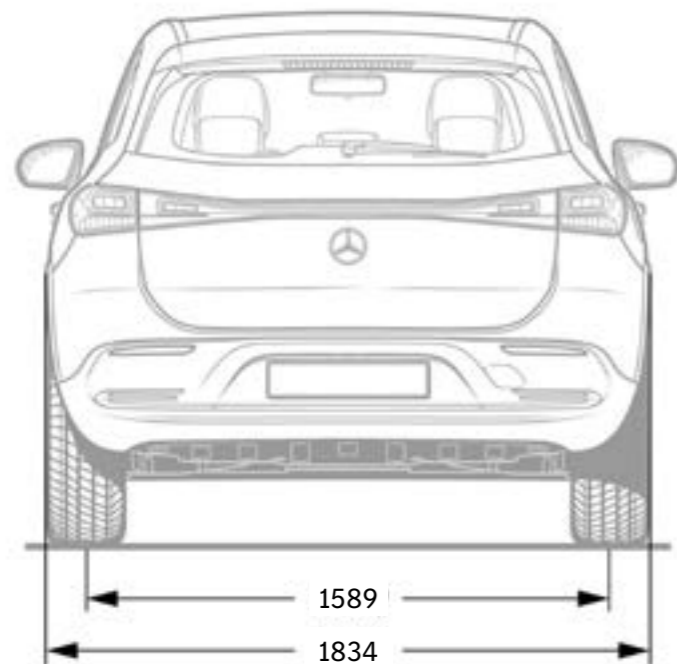
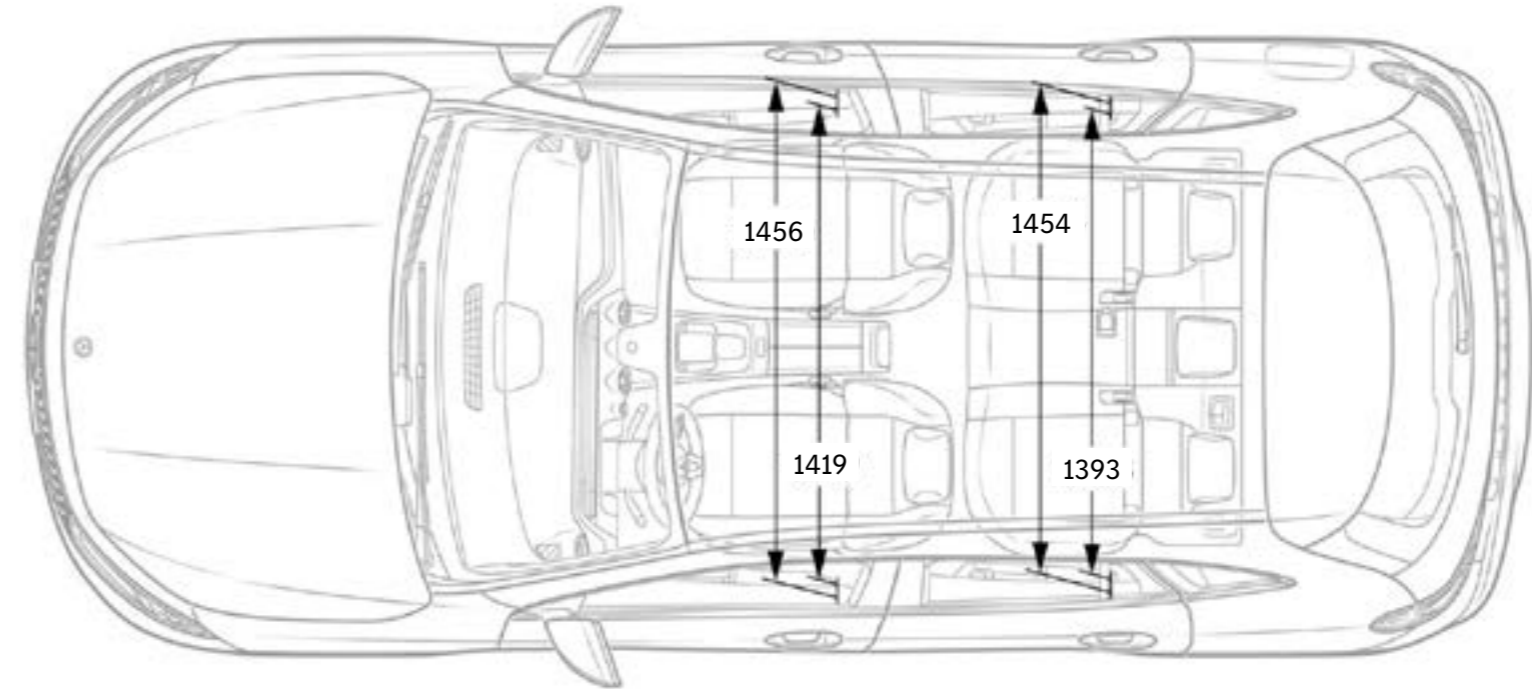
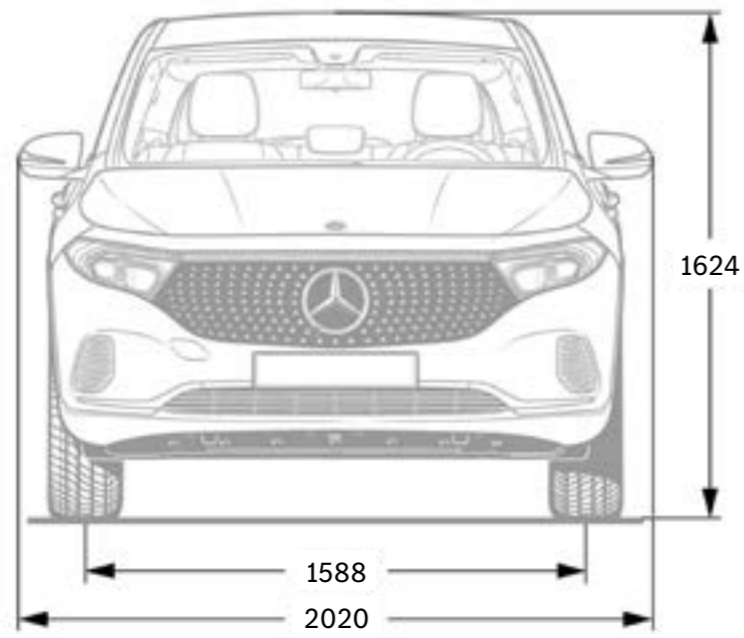
Charging cable for wallbox and public charging station

Use this charging cable to charge your vehicle with up to 11 kW. This charging cable, also called Mode 3 cable, allows you to charge the vehicle battery at the wallbox or at public charging stations with up to 11 kW (Type 2, 3-phase, 16 A).

Technical Data

	EQA 250+
Battery type	Lithium-ion High power density
Electric motors	Front Axle: Asynchronous motor (ASM)
Battery capacity	70.50 kWh
Rated Output	140 kW
Torque	385 Nm
Rated Current	229 Ah
Transmission	Automatically
Acceleration	8.6 sec
Top speed	160 km/h
Fast Charging	35 min (100 kW DC) 10-80%
Wallbox	7.15 hrs (11 kW AC) 0-100%
Range power consumption combined	14.4 - 16.4 kWh/100 km
Electric range - WLTP	497-560 km

Dimensions





Mercedes-Benz Services

Advance Assurance Program

Extending your warranty coverage

With Advance Assurance Program, experience complete peace of mind. While this Extended Warranty Program kicks in the moment your standard 3 years warranty comes to an end, it can be extended further up to 6 years at a nominal price. Also, it comes with a bouquet of privileges for a worry-free time with your Star.

Star Ease

Delivering the best-in-class value

Servicing your Star does not get any better than this. With the STAR Ease Maintenance Packages, pay a defined cost of maintenance based on the model, contract period and mileage and say goodbye to spending on service every time. Plus, enjoy exclusive features like priority handling, shorter waiting time and quicker processes.

Mercedes-Benz Services

Mobilo

Providing you 24x7 mobility support

Your vehicle comes with Mobilo which provides round-the-clock on-road assistance service. Mobilo comes as a standard for 3 years and can be extended further up to 8 years at a nominal cost. This service offers privileges like vehicle towing facility, replacement vehicle, hotel accommodation, just to name a few.

Digital Service Drive

Ensuring convenience and transparency of service.

Servicing your Star is the last thing you will ever have to worry about. We provide transparent, convenient and hassle-free service. Our customer-friendly service features work around your busy schedule so that you have one less thing to focus upon.





Mercedes-Benz Services

Mercedes-Benz Genuine Parts**

Now with 2 years of warranty

Mercedes-Benz Genuine Parts are crafted to the state-of-the-art standards of Mercedes-Benz, protecting your vehicle's performance while maintaining the style, comfort and safety, for the years to come. Also, they come with a warranty of up to 2 years, ensuring you a peaceful ownership experience with your Star.

**Terms and Conditions apply.

Premier Express Prime*

Because we value your time as much as you do

Life gets busy and so we have designed Premier Express, our vehicle care service to help you get in and out quickly. While the visit will be brief, the service offered by our technicians will be comprehensive and complete. All to ensure your Mercedes-Benz is running for miles to come.

*Available at selected locations and will be expanded to more locations.

Mercedes-Benz Services

Mercedes-Benz Approved Tyres and Alloys

Ensuring every ride is a safe and joyful one

Maximise the safety and comfort of your Star with Mercedes-Benz approved tyres and rims. While the Mercedes-Benz approved tyres are designed to optimally match your car's performance, the Mercedes-Benz approved rims are designed to lend an exceptional style to the exterior of your Star and are also engineered for optimal performance.

Mercedes-Benz Genuine Chemical Products

Because your Star deserves nothing but the original

Mercedes-Benz Genuine Chemical Products are specially tested for compatibility with the materials in our cars and meet the high quality standards. Also, our products have been approved under Mercedes-Benz Group AG's strict, self-imposed environmental norms. Now with Mercedes-Benz Genuine Chemical Products, experience a whole new world of superior products that support throughout the car's life cycle.



EQ Charging Stations across Franchise Partners.

What's in it for you.

Biggest Ultra-Fast charging network in India.
 Exclusive for Mercedes-Benz Electric Cars.
 24 x 7 facility available.

AC Charging System	DC Charging System	
Wallbox	Fast Charging	
100+ locations	36 locations	
11 kW	60 kW	180 kW
	21 locations	15 locations

Your Mercedes-Benz electric car comes with a complimentary Wallbox charger.





Mercedes-Benz India Private Limited: E-3, MIDC Chakan - Phase III, Chakan Industrial Area, Kuruli & Nighoje, Tal: Khed, Pune - 410 501 (India) Toll free No.: 0008000501888. e-mail: cs.ind@cac.mercedes-benz.com, website: www.mercedes-benz.co.in Please note: This brochure is intended for general information, description and illustration of the Product including optional functions and equipment and may not be specific to a Product since specification of a product may change from time to time. Optional features, functions and equipment etc. may not be present in the Standard or Variant Product or Special Edition Product. Further, Standard specifications of a product may also vary from time to time. Colours may differ from those shown in pictures in the brochure. Mercedes-Benz India reserves the right to make changes without prior notice, in design, colours, materials, components, equipment, specifications, features, functions, make and models etc. The information given in this brochure shall be regarded as accurate at the time of launch and may vary thereafter due to any developments or any other reason. Interested customers should reach out to the Authorised Franchise Partner for further information on the exact specifications, features of the product.

Images shown are for representation purposes only. Some of the vehicles in the Brochure are left hand drive wheel. However, Mercedes-Benz India only manufactures and sells vehicles as per the applicable motor vehicle regulations in India. All vehicles sold by Mercedes-Benz Authorized Franchise Partners shall be with right hand drive wheels only. All title, ownership rights and intellectual property rights in and relating to this brochure/magazine or publication material or any copies thereof including but not limited to copyright, logos, names, trademarks, service marks, design, text, images, links, concepts and themes are owned by Mercedes-Benz Group AG and/or its subsidiaries collectively or used under authorised license by the Mercedes-Benz Group AG. Any reproduction, transmission, publication, performance, broadcast, alteration, license, creation of derivative works or other use in whole or in part in any manner without the prior written consent of Mercedes-Benz India Pvt. Ltd is strictly prohibited. Please note that certain services are offered free of cost for a period of three (03) years and may be chargeable at the expiry of three (03) years from the date of activation of such services. If you wish to continue using those services, you may renew the same through Mercedes Me Store (as and when it is available). Please get in touch with your preferred Franchise Partner for more details. Mercedes-Benz cars: The EQA meets Bharat Stage VI equivalent emission norms.
CIN - U34102PN1994PTC083160