

The new CLE 300 Cabriolet



Mercedes-Benz





Desire unfolds.



The design:
Sportiness meets modern luxury.



Design

AMG Line exterior

Sporty equipment line, including AMG front and rear aprons and 19-inch AMG light-alloy wheels. The powerful styling of the AMG Line exterior includes the AMG front apron with chrome-plated trim elements and the AMG rear apron with inserts in black. 19-inch AMG light-alloy wheels emphasize the athleticism of your vehicle even when it's stationary. The sports suspension with Sports Direct-Steer ensures a sportier driving experience.





AMG Line interior

Sporty equipment line, including a multifunction sports steering wheel in nappa leather and AMG sports pedals. The AMG Line interior gives your vehicle visibly and tangibly more sportiness. The multifunction sports steering wheel in nappa leather, with flattened bottom section and perforated in the grip area, enhances driving pleasure, as does the AMG sports pedal system in brushed stainless steel.



Fabric acoustic soft top

The fabric acoustic soft top opens and closes electrically up to 60 km/h, optionally in black or red. With the fully automatic fabric acoustic soft top you feel just as secure in your cabriolet as under a solid roof. The special acoustic fleece material effectively shields against driving and external noise and minimizes background noise in the interior. For a pleasantly quiet ride atmosphere – even at high speed.

DIGITAL LIGHT

Impressive HD system with over 1 million pixels per headlight, including intelligent light modes, topography compensation and ULTRA RANGE high beam. The DIGITAL LIGHT constantly adapts the road lighting to the lighting conditions, the traffic situation, the road surface and the weather for you. The HD system works like a projector and calculates the lighting with pixel precision. The ULTRA RANGE high beam can make your driving experience safer.



Multifunction sports steering wheel in nappa leather

Sporty 3-twin-spoke nappa leather steering wheel with silver chrome steering wheel gearshift paddles and touch controls. The multifunction sport steering wheel in nappa leather has a flattened bottom section and deeply embossed grip area – excellent prerequisites for a sporty driving style. Use the touch control panels to operate the most important vehicle functions without having to take your hands off the steering wheel.



Instrumental dashboard and door panel sills in ARTICO man made leather in nappa look

Instrumental dashboard and door panel sills in ARTICO man made leather in nappa look underlines the high-quality look and feel of the interior.

Driver display

12.3" driver display with LCD technology and 5 contexts. With the 12.3-inch fully digital and free-standing driver display, you decide what information is important to you while driving. Only the speed display as a number and information on the assistance systems are fixed. You can select further contents and display styles from a total of 5 menus.



Central display

High-resolution central display with a screen diagonal of 30.2 cm (11.9-inch) and touch input. The high-resolution central display presents information in brilliant image quality. It is operated by touch input. The fully glazed screen in portrait format is slightly oriented towards the driver. To avoid annoying reflections, you can adjust the tilt angle from 15 to 40 degrees electrically.



Interior Light Package

More light, more atmosphere, better orientation: the standard-fit Interior Light Package provides comprehensive direct and indirect illumination. The light sources create a pleasant atmosphere and facilitate operation.

Cabriolet Comfort Package

Maximum comfort for open-top driving thanks to AIRSCARF, the AIRCAP draft stop system and the automatic boot separator. The AIRCAP automatic draft stop system reduces drafts in all 4 seats when the vehicle is open, for year-round cabriolet enjoyment. In addition, the AIRSCARF headroom heating warms your neck and nape with the help of air outlets in the head restraints.

AIRCAP - automatic draft stop system incl. electric wind deflector and electric draft stop. This automatic draft stop brings about an effective reduction in drafts when driving with the roof open. When you activate AIRCAP, a wind deflector is raised and a draft stop extends. Together they direct the airflow over the interior. This noticeably reduces turbulence - for superb cabriolet comfort in all four seats.

AIRSCARF - 3-stage headroom heating for year-round cabriolet enjoyment. The AIRSCARF headroom heating warms your neck and nape with the help of air outlets in the head restraints. This means that the driver and front passenger arrive at their destination relaxed and warm, even at lower temperatures.





Ambient lighting

Ambient lighting with 64 colors and 10 color themes. With a total of 64 colors, the ambient lighting with indirect illumination provides the right light setting for you in almost any situation. In the 10 color themes, the colors can also alternate spectacularly. The brightness of the LEDs can also be adjusted variably: It can be adjusted in 5 steps and 3 dimming zones.

Ambient lighting Plus

Ambient lighting Plus with 64 colors, 10 color worlds and directly illuminated light lines. With a total of 64 colors, ambient lighting Plus with precise, directly illuminated light lines provides the right lighting set-up for you in almost any situation. The colors can also alternate spectacularly in 10 color worlds. The brightness can also be adjusted variably: it can be set in 5 levels and 4 dimming zones.



Double cup holder

Removable cup holder in the front of the center console. With the double cupholder in the front of the center console, you always have your drink to hand. Securely attach 2 bottles or cups there. When you remove the double cupholder, you add a large stowage compartment to the interior.



AMG floor mats

Black floor mats with "AMG" lettering. The elegant black floor mats with "AMG" lettering blend harmoniously into the interior design and protect the footwells effectively against soiling. When needed, you can very in quickly remove, vacuum or clean the AMG floor mats.



Illuminated door sill panels with “Mercedes-Benz” lettering

Stainless steel door sill panels with illuminated “Mercedes-Benz” lettering. The high-quality stainless steel panels are illuminated with distinctive “Mercedes-Benz” lettering. This way, you show that you value modern luxury every time you get in or out.

Stowage Space Package

Practical extras for more storage space and tidiness, thanks to the luggage net and collapsible crate, among other things. Whether on holiday or shopping: with the additional map pockets and the collapsible crate, for example, you can make even better use of the interior and load compartment of your vehicle.

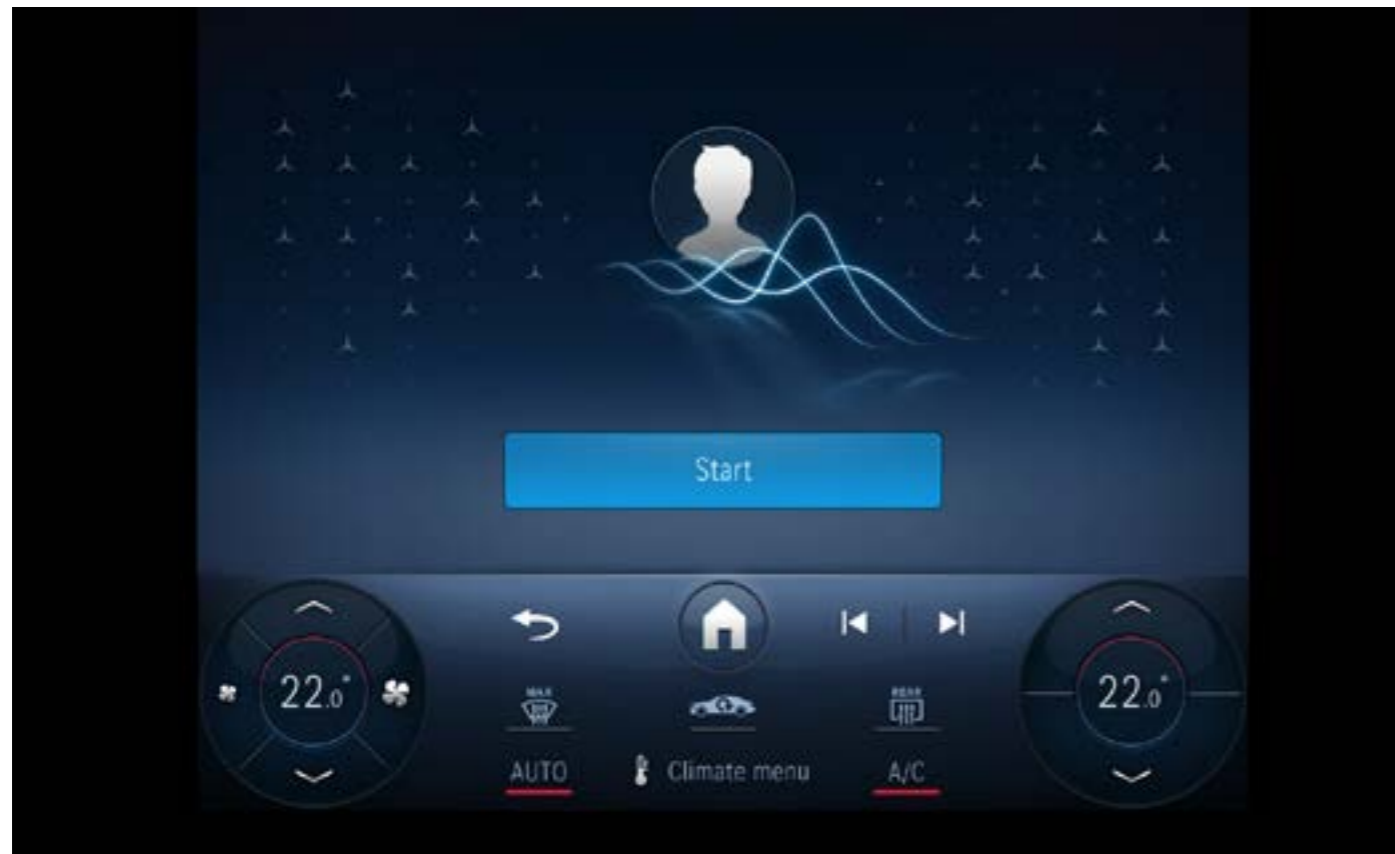




Technology

Sound personalization

Digital setup wizard for the perfect sound setup of your Burmester® sound system. A digital setup wizard works with you to determine your music preferences and adjusts the Burmester® sound system to your wishes. It stores the result in a personal profile. This way you can easily achieve your perfect sound setup.



Burmester® 3D surround sound system

Exquisite 3D sound with 17 speakers, 710 watts of system output, Dolby Atmos® and sound personalization. With 17 speakers and 710 watts of system output, you can enjoy the legendary Burmester® sound experience. You adjust the impressive 3D surround sound individually for all seats. For extra immersive surround sound, you can play music in Dolby Atmos® quality.



MBUX augmented reality for navigation

Live images on the central display show graphic navigation and traffic information. With MBUX Augmented Reality Navigation, you can find your way around even in complex traffic situations. On the central display, the technology merges graphic navigation instructions and traffic information into live images. This way you can reach your destination quickly, safely and without stress.

MBUX Navigation Premium

Fast and optimally networked navigation, including online routing, precise real-time traffic data and car-to-X communication*. MBUX Navigation Premium gets you to your destination quickly and well-informed. You can rely on up-to-date map data including satellite view, precise real-time traffic data and fast online online routing. And last but not least, intelligently networked functions make your journey safer.





Memory Package

Multiple electrically adjustable driver's seat with memory function. With the electrically adjustable driver's seat, you can comfortably find your individual seat position. So you can travel comfortably in a back-friendly posture. You can also adjust the head restraint electrically. With the practical memory function, you can save the seat positions for 3 people.

Electrically adjustable front passenger seat with 12-way adjustment incl. memory function. With the electrically adjustable right front seat, front passengers also adjust their seating position and head restraint individually and comfortably. 3 seat profiles can also be stored via the memory function and called up at the touch of a button.

Head-up display

Full-color head-up display to show information such as speed or navigation instructions. The head-up display transforms your windscreen into a digital cockpit. With the virtual, full-color image, you always have a direct view of key information. Your full attention remains on the road and the traffic conditions in front of you.



*Please read the disclaimer



Adaptive Highbeam Assist Plus

Continuous main beam without dazzling oncoming traffic by blocking out oncoming traffic or traffic ahead. With Adaptive Highbeam Assist Plus, you drive with continuous high beam without dazzling others. The intelligent system excludes oncoming traffic or vehicles in front with highly precise LEDs: This means you do not have to constantly switch to the low beam and can better recognize the road and hazards thanks to the high headlamp range.



DYNAMIC SELECT

Choice of drive programs for an ideally adapted driving experience from comfortable to sporty. DYNAMIC SELECT offers various drive programs at the touch of a finger, which vary the characteristics of the drive, suspension or steering, for example. Whether dynamic in Sport mode, fully relaxed in Comfort mode or particularly economical in ECO mode – you determine the way you want to drive right then.

USB Package

A total of 3 USB-C ports for your mobile devices. Thanks to the total of 3 USB-C ports in the center console, you and your front passenger can easily charge mobile devices. You can also use connected devices to import data such as your stored music into the multimedia system, and use Smartphone Integration with Android Auto™ and Apple CarPlay™.



Extended MBUX functions

Customize MBUX to your personal preferences: thanks to the adaptive MBUX voice assistant*, personal profiles and predictive functions, among other things. The MBUX extended functions are completely customized to you. Say “Hey Mercedes” - MBUX then waits for your wishes and learns thanks to the online connection. Personal profiles, predictive functions and a WiFi hotspot completely redefine what digital networking means.



Communication module (5G) for the use of Mercedes-Benz connect services

5G communication module for transmitting larger amounts of data at high speed. The communication module transfers higher volumes of data at very high speed. Thanks to 5G, your vehicle is ready for the future: for example, with even faster data transmission for communication and streaming or car-to-X communication.



Wireless charging system for mobile devices in the front

Wireless charging of your mobile devices in the oddments tray. With just a simple hand movement your smartphone is fixed in place in the oddments tray where it is charged wirelessly. Regardless of model and brand, Qi-compatible mobile devices charge wirelessly.

THERMATIC automatic climate control

Automatic climate control with 2 climate zones, activated charcoal fine particle filter and defrost system. Individual climate comfort in the front seats is offered by the THERMATIC automatic climate control system with 2 climate zones: The driver and front passenger can set the temperature separately for their side. They are kept at a constant level thanks to automatic climate control and a highly responsive sensor system – completely without any need for manual adjustment.



KEYLESS GO

Convenient vehicle access including electronic vehicle key. With KEYLESS-GO, your key is already recognized when you carry it in close proximity to the vehicle and in the interior: all doors can then be opened and locked just by touching the door handle.



KEYLESS GO starting function

Comfortable vehicle start including electronic vehicle key and convenience opening and closing. Thanks to the KEYLESS-GO start function, you can start your vehicle simply by pressing a button - without having to insert the key into the ignition. All you need to do is carry your key with you inside the vehicle.



Air-conditioned front seats

The climatized seats for driver and front passenger comprise seat heating and seat ventilation – for ideal seating comfort all year round. On hot days they provide you with a pleasantly refreshing temperature thanks to cooling ventilation. On cold days the seat cushions and backrests emit a pleasant warmth.

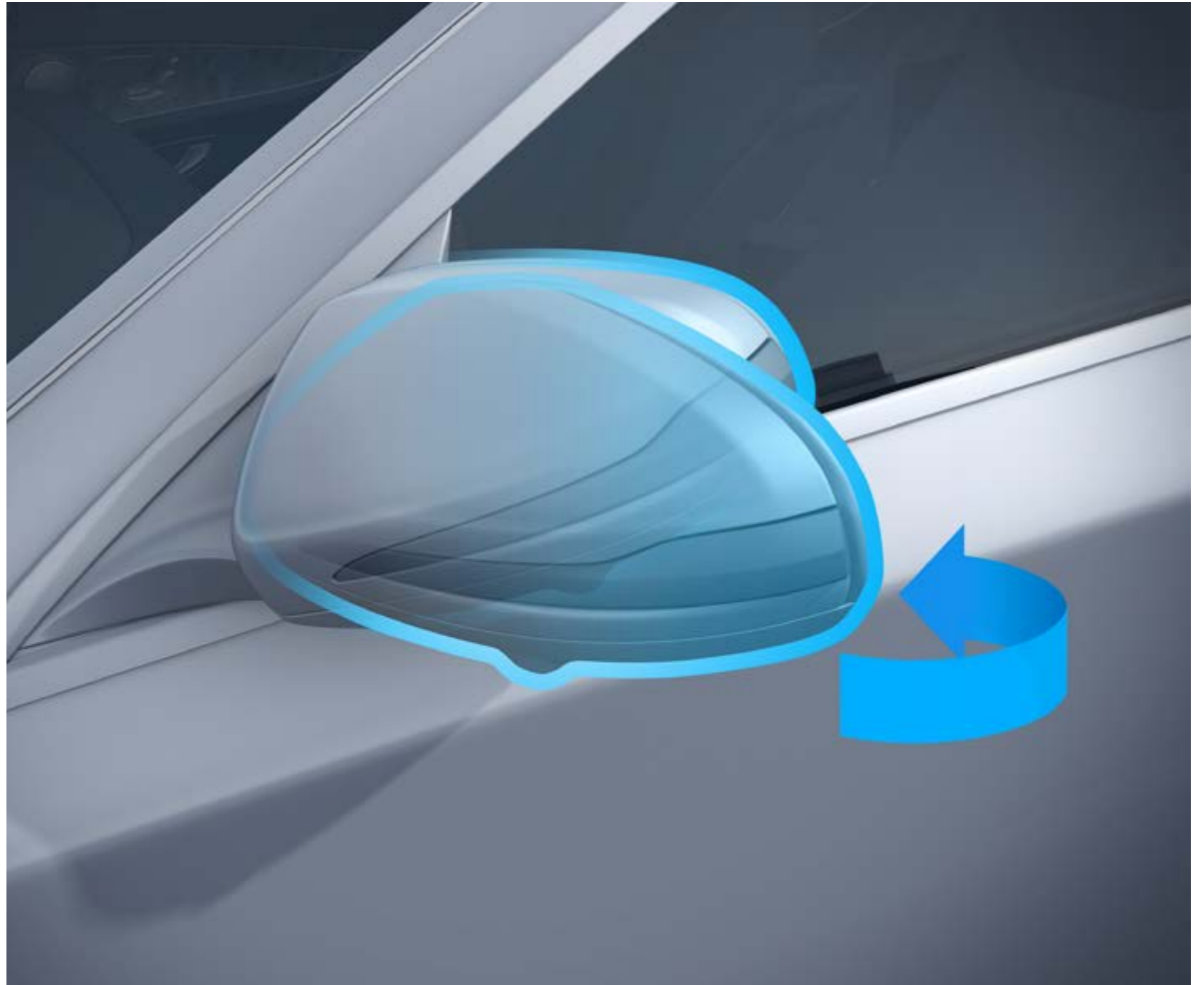
ENERGIZING AIR CONTROL

Air quality monitoring including two-stage filter concept. ENERGIZING AIR CONTROL monitors the air quality for you with the help of air quality and fine particle sensors. A two-stage filter concept reduces fine particles and the majority of other inhalable pollutants. Depending on the value measured, your vehicle switches intelligently between fresh air and air-recirculation mode.



Mirror Package

Mirror package including electrically folding exterior mirrors and surround lighting with projection of brand logo. Electrically folding exterior mirrors protect your vehicle from damage when parked. In addition, the surround lighting with projection of the Mercedes-Benz logo makes it easier to get in and out of the vehicle in the dark. Another plus point: the interior and exterior mirrors on the driver's side register headlights from behind and automatically dim them.





Smartphone Integration

Connect your mobile phone wirelessly to the MBUX multimedia system via Android Auto™ or Apple CarPlay™. Smartphone integration wirelessly connects the mobile phone to the MBUX multimedia system via Apple CarPlay™ and Android Auto™. This gives you convenient access to the most important apps on your smartphone. You can also use apps from third-party providers such as Spotify quickly and easily.

Preinstallation for digital key transfer

Share your vehicle conveniently with family and friends via the Mercedes-Benz app. Share your vehicle with friends and family – wherever you are, and easily via the Mercedes-Benz app. You retain control and decide who you leave your Mercedes with. You unlock your vehicle remotely via the app, and activate the stored vehicle key for the user when they are at the vehicle.



Fingerprint scanners

Convenient identification by fingerprint for unlocking secure data. With the fingerprint scanner you unlock access to your personal data. These include profiles or office and payment functions. Touching the color-illuminated button is a quick and convenient way to identify yourself. This is secure and also more straightforward than entering a PIN.



Windscreen wipers with rain sensor

Windscreen wipers with electronic and heated rain sensor for best visibility conditions. The electronically controlled rain sensor switches the windscreen wipers on automatically. It monitors the moisture on the windscreen and adjusts the wiping frequency accordingly. To ensure that the sensor functions optimally in all weather conditions, the measuring area is heated - so no annoying ice or condensation can form.



Hard-disc navigation

Navigates you quickly to your desired destination including 2D and 3D map display and route options such as Eco and Trailer. Thanks to the fast hard-disc navigation, you save time with flexible inputs via touch control or voice input. The 3D displays of points of interest, for example, are also a visual delight. The intelligent system guides you reliably to your destination using both local and also up-to-date online information.

Preinstallation for Live Traffic Information

Real-time traffic data for optimized route guidance. Live Traffic Information receives traffic information in real time which is more precise and up to date than conventional systems and optimizes dynamic route guidance. you can respond to many situations and simply circumvent traffic jams as well as stop-and-go traffic. This way you get to your destination stress-free, the best way and faster.





Mercedes-Benz connect allows drivers to stay in touch with their vehicles from anywhere in the world and to obtain assistance at the touch of a button thereby making everyday life easier.

Mercedes-Benz

Vehicle Monitoring

Vehicle Tracker: Track your vehicle from anywhere, as your vehicle's GPS coordinates are seen on your phone App.

Parked Vehicle Locator: It can locate your parked vehicle within a radius of 1.5 kilometres and show you on a map how to make your way back to the vehicle.

Vehicle Set-Up

Remote Retrieval of Vehicle Status: Information on Mercedes-Benz App or the Mercedes-Benz Portal.

Remote Door Locking and Unlocking: You can conveniently remotely lock or unlock your vehicle from the Mercedes-Benz App.

Speed Alert: Receive an alert if your vehicle exceeds a certain speed.

Send2Car function: Send your address to your vehicle via an app.

Remote Engine Start/Stop

Navigation Connectivity package

The combination of the standard-fit communication module (LTE) and the hard-disc navigation makes sure that you always reach your destination as quickly as possible by the best route.

Mercedes-Benz emergency call system

The Mercedes-Benz emergency call system can save you vital minutes in an emergency. If an accident is detected, a communications module with its own SIM card automatically triggers an emergency call which could shorten the time until rescue services arrive.

Please note that certain services are offered free of cost for a period of three (03) years and may be chargeable at the expiry of three (03) years from the date of activation of such services. If you wish to continue using those services, you may renew the same through Mercedes-Benz Store (as and when it is available). Please get in touch with your preferred Franchise Partner for more details.

Mercedes-Benz

Vehicle Finder (enables horn and light flashing)

Find your vehicle in large parking lots with ease. Simply blow the horn or flash the headlamps through the app to locate your vehicle

Mercedes-Benz Service app: Your digital assistant

Keep a tab on your Star's maintenance with ease. Get timely maintenance and service reminders. Book a service appointment and search for nearest showrooms with a single touch.

What's more, access expert tips to keep your Star in its best shape with car care videos.

Geo-fencing

Set a perimeter for the car movement and receive notifications in case of vehicle movement beyond the parameter. Hence the feature enables easy monitoring when vehicle is being driven by others.

Windows/sunroof open close from App

Open/Close the windows and sunroof of your Mercedes-Benz remotely through the app. This enables better ventilation before you get into the car.



Mercedes-Benz

Additional Mercedes-Benz connect features

Google Home integration with Mercedes-Benz connect: Google Home integration is also offered for Google home users. In a similar way, once the Mercedes-Benz connect is linked to Google Home, you can start issuing commands.

Parking location POIs (Points of Interest): The introduction of new Parking solution, shows Parking lots available across different parts of the cities. The Parking POIs (Points of interest) can be seen easily on the navigation system or alternatively also on the Mercedes-Benz App maps section.



Please note that certain services are offered free of cost for a period of three (03) years and may be chargeable at the expiry of three (03) years from the date of activation of such services. If you wish to continue using those services, you may renew the same through Mercedes-Benz Store (as and when it is available). Please get in touch with your preferred Franchise Partner for more details.



Safety

Blind Spot Assist

Blind spot monitoring, including exit warning function. The blind spot assistant can warn you of side collisions with other road users - especially when you activate the indicator to change lanes. After the journey, the exit warning function helps you open the door. An important protection, especially for cyclists.



Speed Limit Assist

Can make you aware of speed limits and additional signs. The assistance system shows you the maximum permitted speed and can even draw your attention to additional speed limit signs. This makes it easier for you to comply with speed limits.

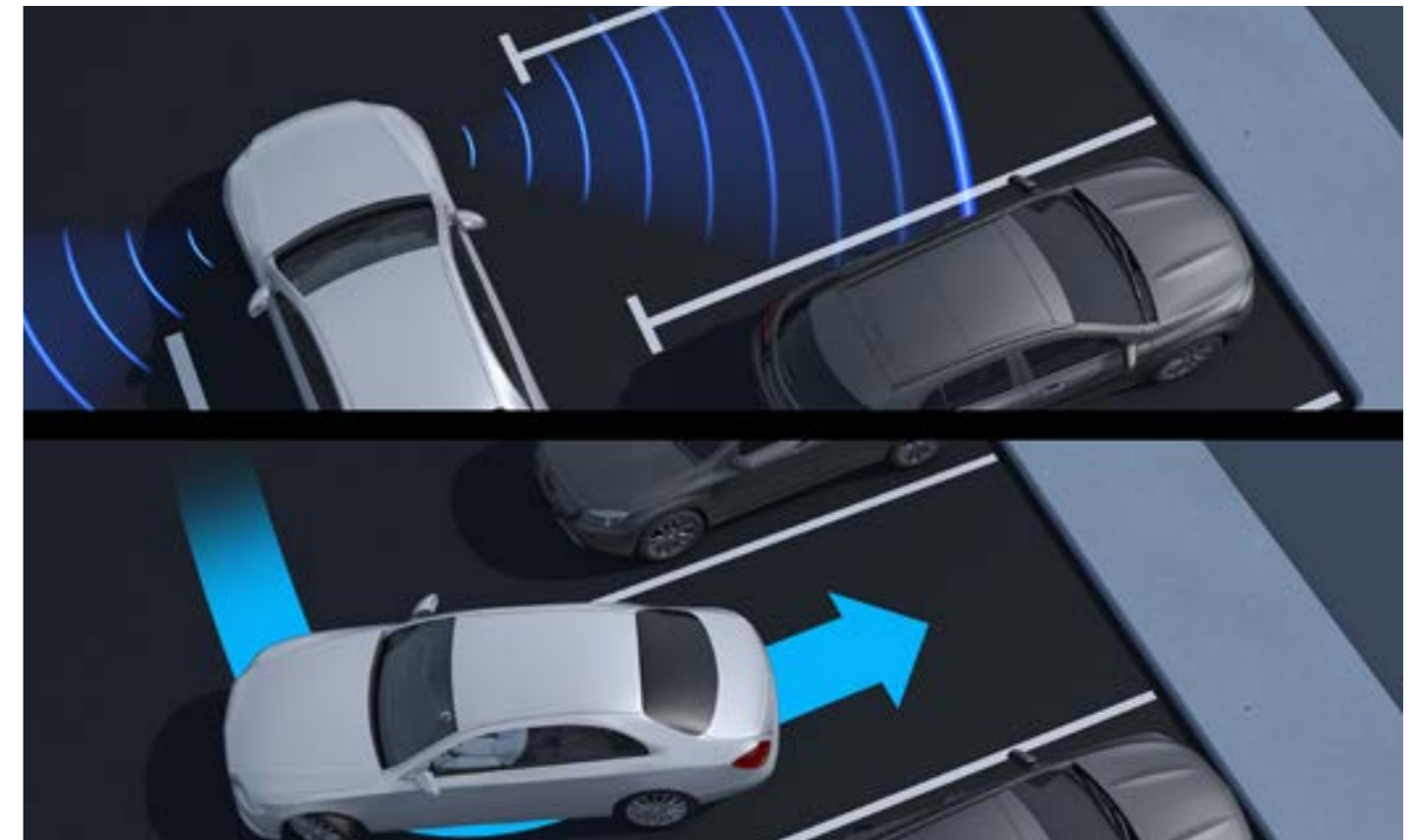


Parking Package with 360° camera

Extensive support when parking and backing out including 360° camera and Active Parking Assist with PARKTRONIC. Active Parking Assist with PARKTRONIC and 360° camera detects free parking spaces and marked parking spaces as you drive past. After selecting a parking space, you can park with confidence thanks to dynamic visualization and acoustic feedback - or have it assisted.

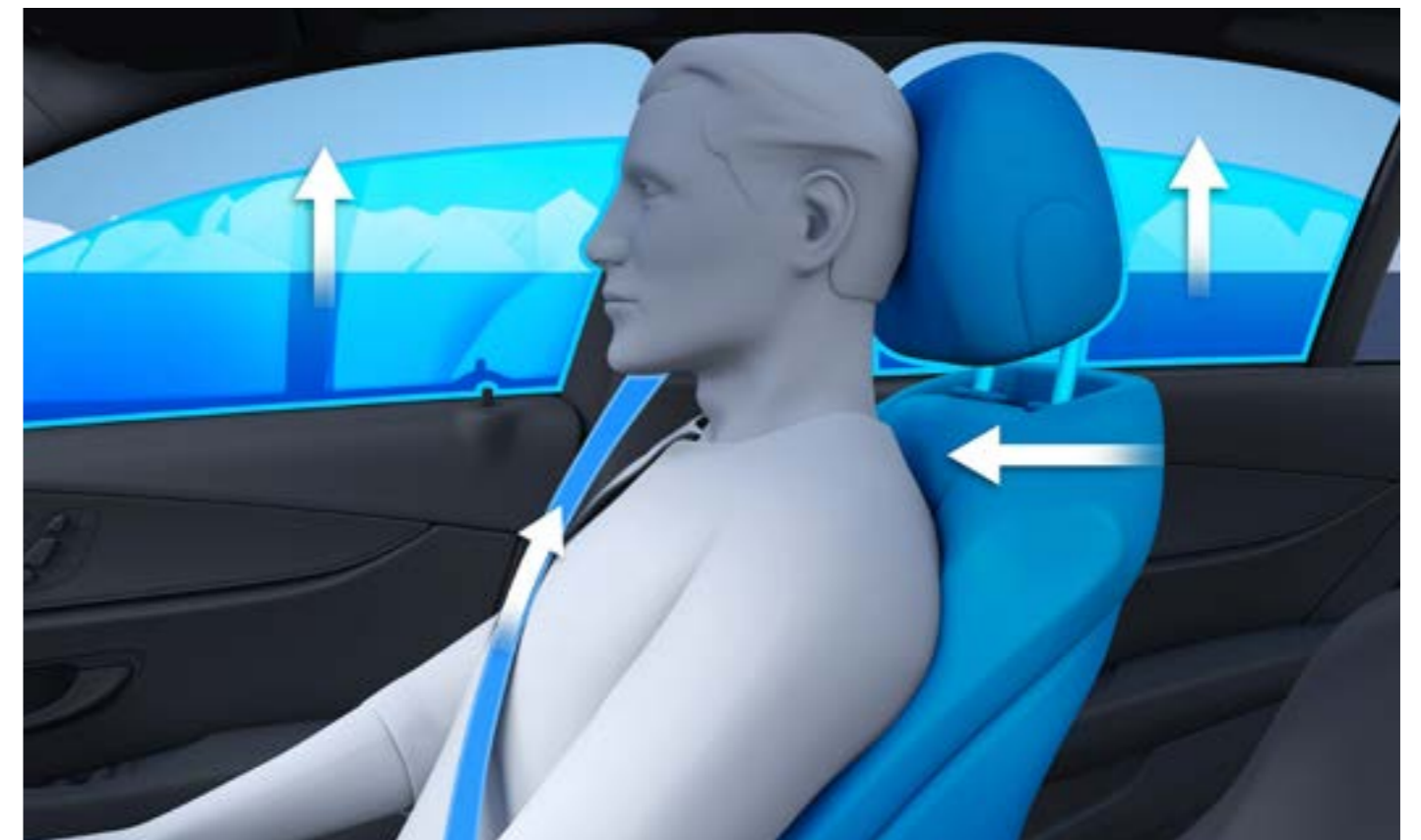
Active Parking Assist with PARKTRONIC

Assisted reverse parking including PARKTRONIC. Active Parking Assist with PARKTRONIC is not only able to find parking spaces - it also helps you with reversing into a parking space. It assists with steering, accelerating, braking and changing gear.



Active Brake Assist

Can help to mitigate the consequences of a collision with other road users or avoid it altogether, including autonomous emergency braking and turning maneuver function. This assistance system can help to avoid collisions with moving or stationary vehicles in front, with oncoming traffic when turning off and with moving pedestrians as well as cyclists. In addition to distance and collision warning, the system also offers situation-appropriate braking assistance – right up to autonomous emergency braking.



PRE-SAFE® system

Preventive occupant protection, including PRE-SAFE® Sound, reversible belt tensioning and side window closing function. In the event of an imminent accident, PRE-SAFE® takes measures that can reduce the strain on you and your passengers. For example, the system tightens the seat belts or closes the side windows. The innovative PRE-SAFE® Sound can protect the inner ear by dampening the noise of the accident.

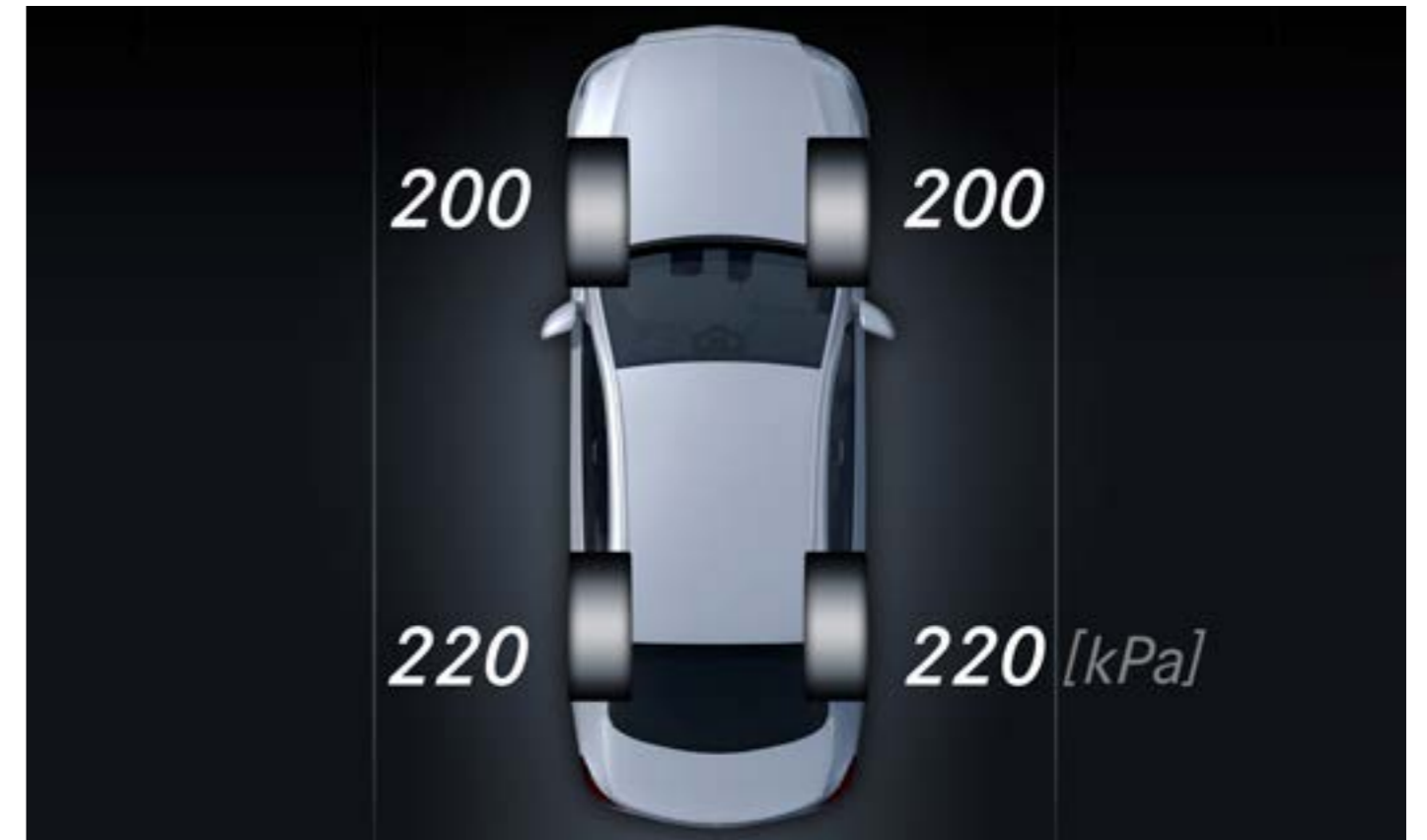


Center airbag

Additional airbag for increased front occupant protection in the event of a side impact. The center airbag can protect the driver and front passenger from colliding in the event of a side collision. The center airbag is installed in the seat cushion on the inside of the driver's seat and is triggered in the event of a corresponding collision.

Tire pressure monitoring system

Control system for monitoring tire pressure including warning in case of pressure drop. The system monitors the tire pressure and warns you if the pressure drops. This allows you to react immediately and add air. For example, underinflation can increase the braking distance and the risk of an accident. Correct tire pressure improves tire mileage.



TIREFIT

Sealant for minor tire defects with tire inflation compressor. Seal minor tire damage caused by driven-in shards or nails. An air compressor blows sealant into the defective tire. Thanks to this fast transitional solution, you can drive on to the next workshop at up to 80 km/h.



Summer tyres

Tyres with optimized rolling resistance - for reduced fuel consumption and CO2 emissions. The rolling resistance optimized summer tyres are characterized by lower energy losses during rolling and deformation of the tyre. This saves fuel and reduces CO2 emissions.



Emergency spare wheel

Spare wheel for the onward journey to the next service station in the event of major punctures. The slim emergency wheel is lightweight and makes changing a tire in the event of a breakdown simple. It enables you to reach the next service station even in the event of more significant tire damage which it may not be possible to repair with TIREFIT tire sealant.

Tyre change toolkit

Tool for quick loosening of the wheel nuts. With the wheel change tool, you can loosen wheel nuts quickly and easily - for a simple wheel change.





Braking system with larger brake discs on the front axle

Particularly stable brake system with enlarged and perforated brake discs on the front axle. Particularly stable brakes for all driving situations: The brake system with enlarged and perforated brake discs on the front axle always packs a powerful punch, even after several heavy braking maneuvers. In addition, the perforation together with the “Mercedes-Benz” lettering emphasizes the sporty design.



Standard Equipment

Paintwork

Obsidian Black

(Available with Leather power red / black | Fabric soft top in red)



Spectral Blue

(Available with Leather tonka brown / black | Fabric soft top in black)



High-tech Silver

(Available with Leather black | Fabric soft top in black)



Graphite Grey

(Available with Leather power red / black | Fabric soft top in red)



MANUFAKTUR Paintwork

MANUFAKTUR Opalite White Bright

(Available with Leather power red / black | Fabric soft top in red)



MANUFAKTUR Graphite Grey Magno

(Available with Leather power red / black | Fabric soft top in red)



MANUFAKTUR Patagonia Red Bright

(Available with Leather black | Fabric soft top in black)



MANUFAKTUR Alpine Grey Solid

(Available with Leather tonka brown / black | Fabric soft top in black)



Upholstery



Leather Black

(Available with High-tech Silver and MANUFAKTUR Patagonia Red)



Leather tonka brown / black

(Available with Spectral Blue and MANUFAKTUR Alpine Grey Solid)



Leather power red / black

(Available with Obsidian Black, Graphite Grey, MANUFAKTUR Opalite White Bright and MANUFAKTUR Graphite Grey Magno)

Trim



Metal structure trim element

Center Console



Center console in a mixed fabric-look finish with metal effect

Alloy



48.3 cm (19-inch) AMG multi-spoke light-alloy wheels



Genuine Accessories

Genuine Accessories

Hub cap, Star sublime, for countersink diameter 66.8mm



An elegant turn: a Mercedes-Benz hub cap always adds a stylish finishing touch to light-alloy wheels. Attractive and practical: the hub caps protect the hub from dirt. The choice is yours: available in various versions and matching all Mercedes-Benz wheels. It's all about design in your Mercedes-Benz.

Microfibre cloth



Excellent cleaning effect, perfect protection: The white microfibre unbranded cloth allows you to achieve the best cleaning results with its untreated fabric – without scratching the sensitive screen surface. The cloth, which is made in Germany, is washable, and the excellent cleaning effect is retained even after washing.

Genuine Accessories

Velour floor mats CLASSIC, Set, Set of 4



Floor mats have to undergo rigorous testing before they are deemed worthy of the star logo: Long durability, fade-resistant colour and a neutral odour, even after three winters of use, are all specifications which must be met without compromise. The mats are precision-tailored to your Mercedes-Benz using the vehicle's original CAD data. Can be clip-fastened to the floor of the vehicle to prevent slipping.

AMG fuel cap



Filler cap in high-quality matt chrome with AMG logo. Individualisation with sporty highlights. Optimum fit and can be easily installed by customers. Delivery in appealing AMG presentation packaging. For vehicles with combustion engine (gasoline/diesel) only. Not for plug-in hybrid.

Genuine Accessories

Ashtray



The high-quality ashtray in an appealing Mercedes-Benz design ensures that the interior of the vehicle remains clean and free of ash. Thanks to its elegant and practical design, the ashtray can be used in the cup holder or door stowage compartment, depending on the model series. Its large capacity ensures that nothing stands in the way of enjoying tobacco, even on longer journeys. The integrated ember killer, heat-resistant material and cigarette holder ensure the required level of safety. To empty and clean the ashtray, simply turn it at the top to open.

Shopping crate, folding



A must for any boot/load compartment: the practical shopping crate from Mercedes-Benz – a flexible transport and stowage accessory. When not in use, it can be folded flat and stowed away in the load area. Only genuine with Mercedes-Benz logo and lettering. Another indispensable accessory for your Mercedes-Benz

Cool Box



Be it cool drinks, a picnic or baby food: the thermoelectric refrigerator box cools upon request and is the perfect companion on any day out. Thanks to its extra thick insulation it can cool up to 5°C, but a max. of 20°C under the outside temperature. It fits perfectly into every Mercedes-Benz vehicle and holds 13 litres. The portable refrigerator box is made up of a textile coating with fitted pockets and a zip. The inside, fixed plastic container is easy to clean. The refrigerator box is powered via the cigarette lighter or a 12-volt socket. Voltage transformers are optionally available for the 220-volt grid. Transportation in the load compartment is recommended for safety reasons. Dimensions: 41x41x26 cm (HxWxD).



Engine & Transmission



Petrol Engine

R4-cylinder petrol engine, M254 series

Tremendous pulling power even at low engine speeds - this is what distinguishes this advanced 4-cylinder petrol engine with mild hybrid and 48-volt on-board electrical system. Among other things, this supplies the integrated starter-alternator which is able to deliver additional torque of up to 205 Nm. Despite its temperament, the engine is fuel-efficient, low in emissions and has pleasantly smooth running characteristics.

Exhaust gas aftertreatment directly at the engine

The entire exhaust gas aftertreatment system is located directly at the engine, allowing the catalytic converter to reach its optimum operating temperature more quickly. The coated petrol particulate filter, also installed close to the engine, retains the finest soot particles and thanks to a third lambda sensor is regenerated virtually free of nitrogen oxides.

Overboost function

Thanks to the overboost function, the engine provides 20 kW (27 hp) of additional output for approx. 30 seconds in the 190 kW power stage. The overboost function can also be activated several times in succession - until the defined temperature limits are reached.

Mild hybrid with integrated starter-alternator

The 2nd-generation mild hybrid with integrated starter-alternator (ISG) can support the internal combustion engine with up to 17 kW of additional output and up to 205 Nm of extra torque.

9G-TRONIC

Automatic torque converter transmission with 9 gears for comfortable and efficient driving. The 9G-TRONIC automatic transmission takes over the gear changes for you in barely noticeable fashion. 9 gears make low revs possible. This reduces your fuel consumption and ensures a more pleasant noise level.

DYNAMIC SELECT drive programs: When you select the Comfort and ECO drive programs, 9G-TRONIC shifts smoothly and efficiently through the 9 gears for you, thus ensuring a particularly comfortable ride. For even more driving pleasure and correspondingly better performance, select Sport mode. At the press of a button, you can experience fast, sporty gear changes while still frequently driving in the optimum engine speed range.





Suspension



Sports suspension

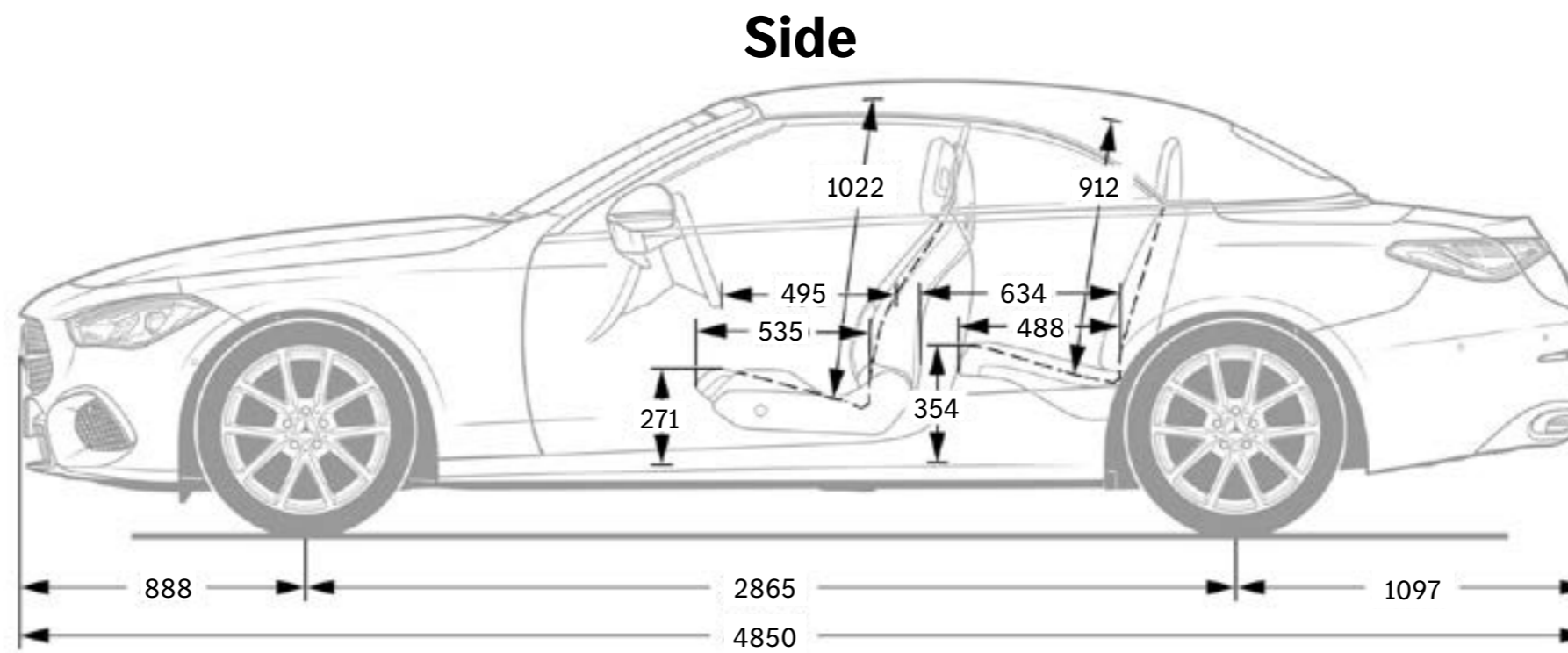
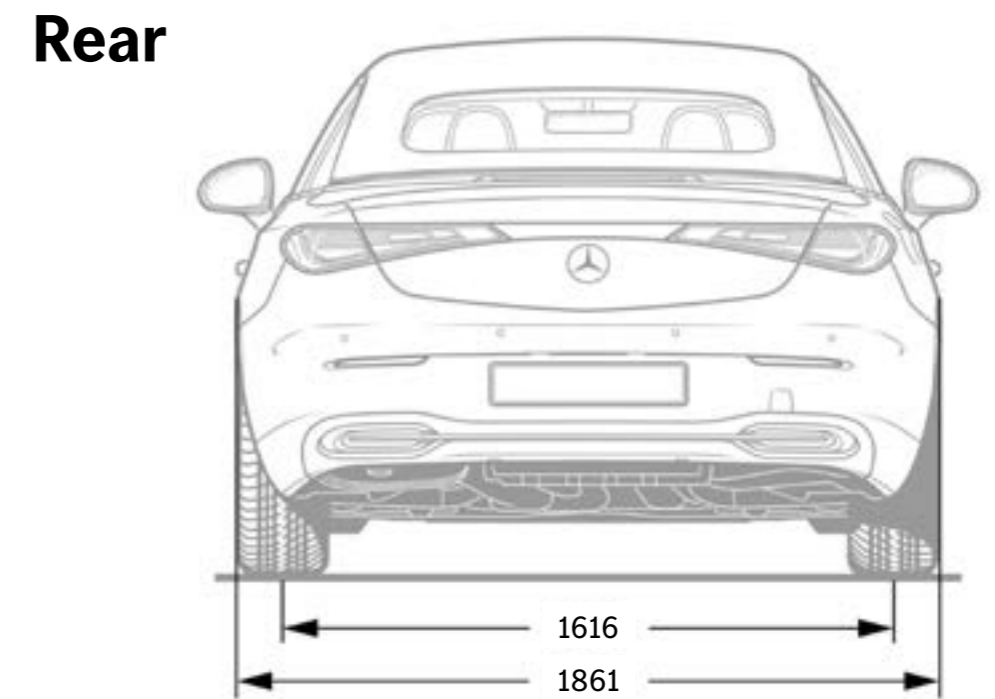
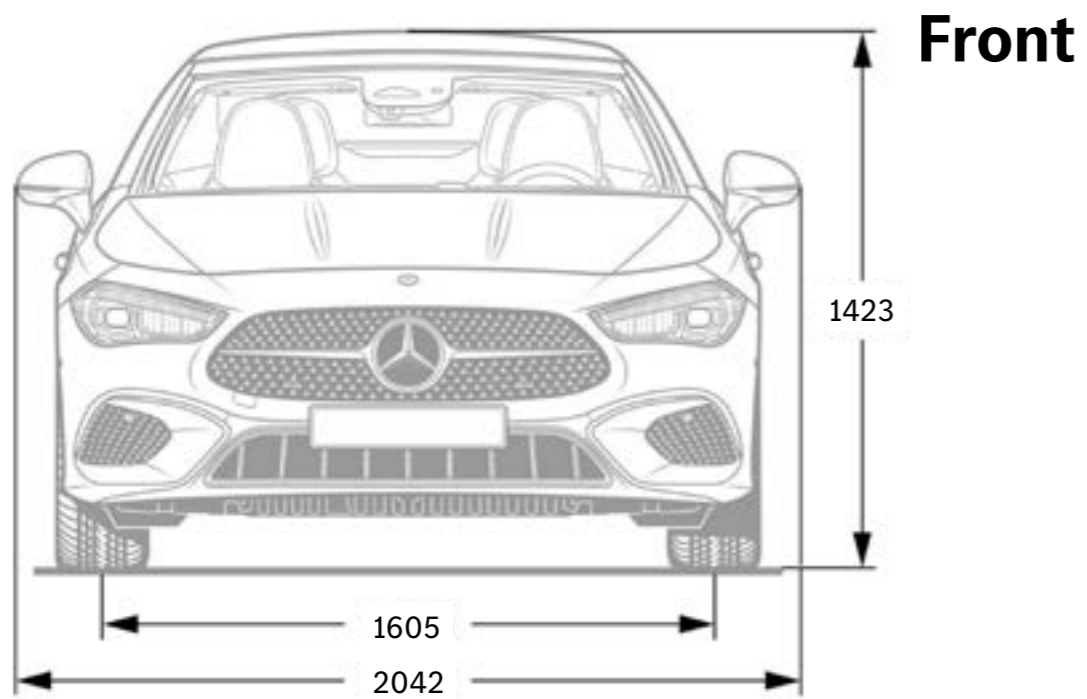
Sporty, tightly tuned suspension with selective damping system, lowering by 15 mm and direct sport steering. The sports suspension with selective damping system improves the road holding of your vehicle and enhances the fun factor when cornering at speed. The firmer design of the springs and dampers as well as the sports direct steering, together with the lowering by 15 millimeters, ensure more direct handling and a more dynamic appearance.

Technical Data

CLE 300 4MATIC

Fuel Type	Petrol
No./arrangement of cylinders	L4
Total displacement in cc	1999
Rated Output	190 (258)/5,800 - 5,800 kW (hp) at rpm
Rated Torque	400/2000 - 3200 Nm at rpm
Transmission	Automatic
Acceleration 0-100 km/h	6.6s
Top speed	250km/h

Dimension





Mercedes-Benz Services

Advance Assurance Program

Extending your warranty coverage

With Advance Assurance Program, experience complete peace of mind. While this Extended Warranty Program kicks in the moment your standard 3 years warranty comes to an end, it can be extended further up to 6 years at a nominal price. Also, it comes with a bouquet of privileges for a worry-free time with your Star.

Star Ease

Delivering the best-in-class value

Servicing your Star does not get any better than this. With the STAR Ease Maintenance Packages, pay a defined cost of maintenance based on the model, contract period and mileage and say goodbye to spending on service every time. Plus, enjoy exclusive features like priority handling, shorter waiting time and quicker processes.

Mercedes-Benz Services

Mobilo

Providing you 24x7 mobility support

Your vehicle comes with Mobilo which provides round-the-clock on-road assistance service. Mobilo comes as a standard for 3 years and can be extended further up to 8 years at a nominal cost. This service offers privileges like vehicle towing facility, replacement vehicle, hotel accommodation, just to name a few.

Digital Service Drive

Ensuring convenience and transparency of service.

Servicing your Star is the last thing you will ever have to worry about. We provide transparent, convenient and hassle-free service. Our customer-friendly service features work around your busy schedule so that you have one less thing to focus upon.





Mercedes-Benz Services

Mercedes-Benz Genuine Parts**

Now with 2 years of warranty

Mercedes-Benz Genuine Parts are crafted to the state-of-the-art standards of Mercedes-Benz, protecting your vehicle's performance while maintaining the style, comfort and safety, for the years to come. Also, they come with a warranty of up to 2 years, ensuring you a peaceful ownership experience with your Star.

**Terms and Conditions apply.

Premier Express Prime*

Because we value your time as much as you do

Life gets busy and so we have designed Premier Express, our vehicle care service to help you get in and out quickly. While the visit will be brief, the service offered by our technicians will be comprehensive and complete. All to ensure your Mercedes-Benz is running for miles to come.

*Available at selected locations and will be expanded to more locations.

Mercedes-Benz Services

Mercedes-Benz Approved Tyres and Alloys

Ensuring every ride is a safe and joyful one

Maximise the safety and comfort of your Star with Mercedes-Benz approved tyres and rims. While the Mercedes-Benz approved tyres are designed to optimally match your car's performance, the Mercedes-Benz approved rims are designed to lend an exceptional style to the exterior of your Star and are also engineered for optimal performance.

Mercedes-Benz Genuine Chemical Products

Because your Star deserves nothing but the original

Mercedes-Benz Genuine Chemical Products are specially tested for compatibility with the materials in our cars and meet the high quality standards. Also, our products have been approved under Mercedes-Benz Group AG's strict, self-imposed environmental norms. Now with Mercedes-Benz Genuine Chemical Products, experience a whole new world of superior products that support throughout the car's life cycle.





Mercedes-Benz India Private Limited: E-3, MIDC Chakan - Phase III, Chakan Industrial Area, Kuruli & Nighoje, Tal: Khed, Pune - 410 501 (India) Toll free No.: 0008000501888. e-mail: cs.ind@cac.mercedes-benz.com, website: www.mercedes-benz.co.in Please note: This brochure is intended for general information, description and illustration of the Product including optional functions and equipment and may not be specific to a Product since specification of a product may change from time to time. Optional features, functions and equipment etc. may not be present in the Standard or Variant Product or Special Edition Product. Further, Standard specifications of a product may also vary from time to time. Colours may differ from those shown in pictures in the brochure. Mercedes-Benz India reserves the right to make changes without prior notice, in design, colours, materials, components, equipment, specifications, features, functions, make and models etc. The information given in this brochure shall be regarded as accurate at the time of launch and may vary thereafter due to any developments or any other reason. Interested customers should reach out to the Authorised Franchise Partner for further information on the exact specifications, features of the product.

Images shown are for representation purposes only. Some of the vehicles in the Brochure are left hand drive wheel. However, Mercedes-Benz India only manufactures and sells vehicles as per the applicable motor vehicle regulations in India. All vehicles sold by Mercedes-Benz Authorized Franchise Partners shall be with right hand drive wheels only. All title, ownership rights and intellectual property rights in and relating to this brochure/magazine or publication material or any copies thereof including but not limited to copyright, logos, names, trademarks, service marks, design, text, images, links, concepts and themes are owned by Mercedes-Benz Group AG and/or its subsidiaries collectively or used under authorised license by the Mercedes-Benz Group AG. Any reproduction, transmission, publication, performance, broadcast, alteration, license, creation of derivative works or other use in whole or in part in any manner without the prior written consent of Mercedes-Benz India Pvt. Ltd is strictly prohibited. Please note that certain services are offered free of cost for a period of three (03) years and may be chargeable at the expiry of three (03) years from the date of activation of such services. If you wish to continue using those services, you may renew the same through Mercedes-Benz Store (as and when it is available). Please get in touch with your preferred Franchise Partner for more details. Mercedes-Benz cars: The CLE 300 4MATIC Cabriolet meets Bharat Stage VI equivalent emission norms. CIN - U34102PN1994PTC083160