

# The new Mercedes-AMG GLC 43 4MATIC Coupé



Mercedes-Benz





A New Generation of Unstoppable.



# Engine & Transmission



## One Man, One Engine

The Mercedes-AMG GLC 43 4MATIC Coupe comes with a 2.0L in-line four-cylinder engine which is aided by an electric turbocharger for instant acceleration. The turbocharger is operated by a 48V electric system which also feeds the belt-driven startergenerator. The engine in this AMG is the world's first series-production engine to be turbocharged with an electric exhaust gas turbocharger. **F1® technology** is here to take the streets by storm. Cylinder walls coated using NANOSLIDE® technology (iron-carbon) - best possible lubrication, reduced friction and above-average wear resistance thanks to extremely hard contact surface with minute pores for oil absorption. Forged pistons of lightweight design - treated in this way, the material has greater density and is able to withstand more force over the same area 10 kW (14 hp) extra output thanks to overboost function - for very sporty acceleration. Fuel system with injection timing, consisting of direct injection at low and medium engine power and port injection at full load for optimum fuel utilisation depending on the driving situation. Mild hybrid with 48-volt on-board electrical system - in addition to the regular 12-volt on-board electrical system - among other things for the operation of the belt-driven starter alternator and the exhaust gas turbocharger. Aluminium crankcase featuring a closed-deck design as in motorsport, the area around the cylinders' coolant jacket is closed off at the top and only perforated by cooling ducts - this makes the engine block even more rigid and resilient. Hollow-bored, sodium-cooled exhaust valves are designed for extremely high temperatures while being particularly light in weight - very large exhaust cross-sections (due to central injector and spark plug system) allow the exhaust gas to stream out with minimal losses efficient thermal management with dual-circuit cooling and stationary coolant - this shortens the engine warm-up phase and reduces consumption. Optimised combustion chamber roof - seating rings with a reduced installed height, borehole close to the combustion chamber near the exhaust seating rings. This increases the efficiency of the cylinder head cooling.

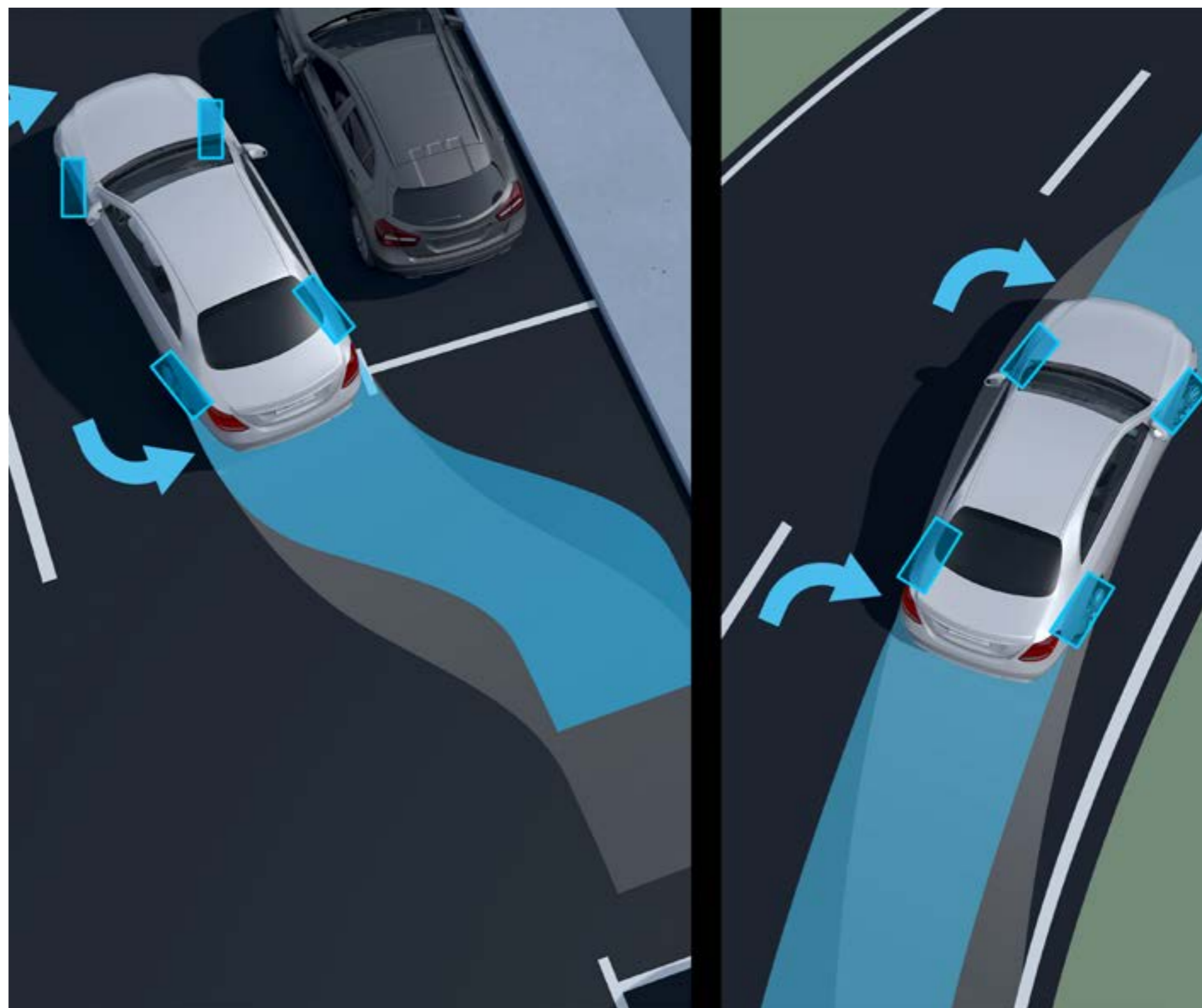
## Rear-axle steering

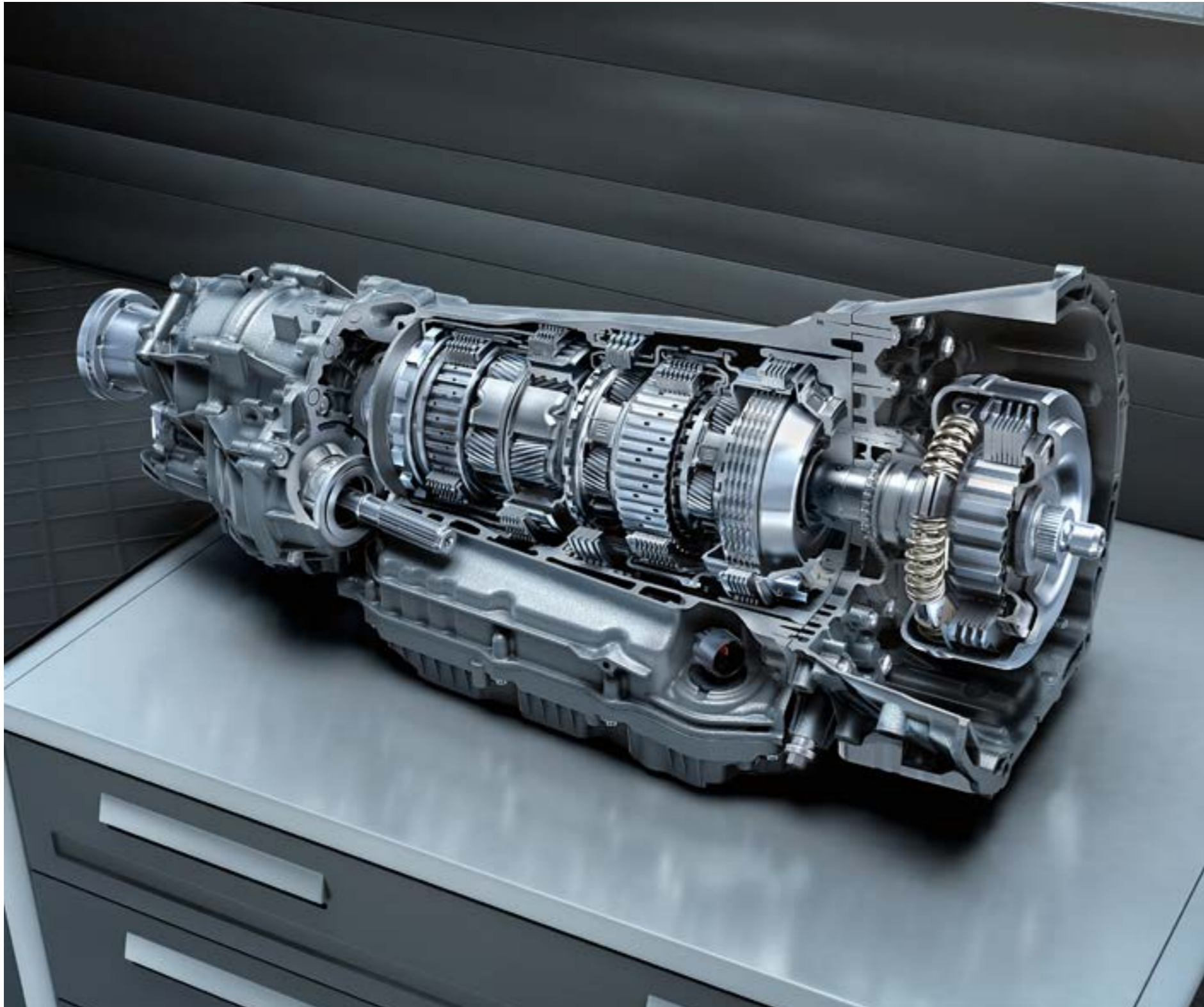
The rear wheels steer up to 2.5° – either in the opposite direction or in the same direction as the front wheels, depending on the driving speed. You benefit from a smaller turning circle, even more confident roadholding and noticeably increased agility.

**More maneuverability:** at speeds of less than 100 km/h, the rear wheels steer in the opposite direction to the front wheels – by up to 2.5° against the front axle angle when parking. The wheelbase is shortened virtually depending on the situation, making your vehicle more nimble, maneuverable and agile. This is also noticeable when making a turn, quickly changing direction and when maneuvering. The turning circle is also reduced.

**More stability:** above a speed of 100 km/h, the rear wheels steer up to 2.5° in the same direction as the front wheels. The resulting virtually extended wheelbase increases driving stability and safety at high speeds, fast lane changes or sudden evasive maneuvers.

**Integrated Driving Dynamics Control:** during dynamic maneuvers, you need to apply significantly less steering angle – and your vehicle responds more sportily to steering commands. This is supported by the integral dynamic handling control system of ESP®.





## AMG SPEEDSHIFT MCT 9G

Sporty automatic transmission with 9 gears and manual gearstick via steering wheel paddles on request. Depending on the driving mode, the AMG SPEEDSHIFT MCT 9G delivers sporty, fast gear changes or comfortable, barely perceptible shifts. The 9 gears ensure that the engine is particularly frequently in the ideal speed range. If you wish, you can shift manually using the steering wheel shift paddles and enjoy true motorsport flair.

## AMG DYNAMIC SELECT

The transmission features drive program-specific drive settings with a wide-spread between the different modes. If “Smooth” mode is activated via AMG DYNAMIC SELECT, the transmission shifts smoothly and early. In “Comfort” mode, the focus is on efficiency and pleasant gear changes. The dynamics can be increased step by step with the “Sport” and “Sport+” modes, which work with noticeably shorter shift times.





## AMG DYNAMIC PLUS PACKAGE

High-performance components for added sportiness, including “RACE” drive program, dynamic AMG engine mounts and red-painted brake callipers. The package bundles high-performance components for a noticeable and visible plus in sportiness. From the AMG Performance steering wheel in carbon-fibre design/MICROCUT microfibre to dynamic AMG engine mounts and the “RACE” drive program, everything is on board to thrill sports drivers.

“RACE” drive program: The additional AMG DYNAMIC SELECT “RACE” driving program offers racetrack-ready performance with maximum sporty character.

AMG dynamic engine mounts: The dynamic mounts ensure the best possible connection between the engine and the body in every driving situation. In doing so, they resolve the conflict of objectives between the softest possible suspension for high comfort and a hard suspension for more driving dynamics.





# Suspension

## AMG RIDE CONTROL suspension

Versatile sports suspension with adaptive adjustable damping. Comfortable cruising or sporty driving: Thanks to the AMG RIDE CONTROL suspension with adaptive adjustable damping, the choice is yours. In the “Comfort” drive program, you enjoy a balanced damping characteristic. The “Sport” and “Sport+” programs provide support with a firmer set-up for demanding driving.





# Design



# Exterior



## Mercedes-AMG exterior

Elevate your driving experience with the striking Mercedes-AMG exterior, a testament to unrivaled performance and style. The iconic AMG-specific radiator grille and the bold round twin tailpipe trims define the vehicle's aggressive stance. The unmistakable AMG badging at the rear further asserts its sporty character. This dynamic design is a powerful statement of Mercedes-AMG's commitment to exceptional performance and distinctive elegance.

### AMG Bodystyling:

- AMG-specific A-shape radiator shell with vertical struts in high-gloss chrome and "AMG" logo
- AMG front apron with A-wing and sporty, striking air inlets with 2 louvres on each side
- AMG rear apron in a diffuser look in black with 2 round twin tailpipe trim elements
- Badge with "TURBO ELECTRIFIED" lettering on the front wings
- Mercedes-AMG specific model designation on the tailgate

## AMG Exterior Night Package

High-quality exterior details in high-gloss black, including underride protection on the AMG front apron and exterior mirror housings. With the AMG Night Package, selected exterior elements are finished in high-gloss black. This results in - depending on the paint color - strong contrasts or flowing transitions. In both cases you are demonstrating your sense of individual, dynamic design.

### Exterior features in high-gloss black:

- Underride guard on the AMG front apron
- Exterior mirror housing, painted
- Beltline trim strip and window edges
- Trim strip in the rear bumper
- AMG exhaust system with 2 black chrome-plated twin tailpipe trims
- Roof railing in black





## AMG spoiler lip

Visible aerodynamic element for a sporty look as well as improved driving characteristics at high speeds. The AMG spoiler lip reduces lift on the rear axle. In this way, it supports neutral driving behavior, especially at high speeds. At the same time, it makes a strong visual statement in your struts of superior performance.

## DIGITAL LIGHT

With DIGITAL LIGHT (which has more than 1 million pixels per headlamp), you can experience brilliant lighting conditions – constantly adjusted to other road users and to the surroundings. This HD system responds with constantly adapted light to changing traffic, road or weather conditions. The ULTRA RANGE high beam can make your driving experience safer.



## Aluminum-look running boards with rubber studs

The aluminum-look running boards are mounted on the side at the height of the side skirts and facilitate access at the front and in the rear. They feature a sporty “shaped” design and enhance the SUV character of your vehicle. They underline the off-road capability of your vehicle and make entry easier.





## Ambient lighting with projection of brand logo

LED lighting of the area alongside the front doors incl. projection of the brand logo. The LED surround lighting projects the brand logo next to the front doors when the vehicle is unlocked. This not only showcases an attractive eye-catching feature in dark surroundings. The extra light also makes it easier to get in and out.

\*Please read the disclaimer

## Panoramic sliding sunroof

Light-flooded glass roof with electric roller sunblind and comfort opening. With the light-flooded panoramic sliding sunroof, you will experience a fascinating of feeling freedom and a pleasantly bright ambience in the interior. From the outside, your vehicle looks particularly exclusive.





# Interior

## Mercedes-AMG interior

The AMG interior lends your vehicle a more visible and tangible sense of sportiness. In this way you can make a clear statement and show at first glance what is important to you: a dynamic and exclusive ambience down to every detail.

- Seats with sporty seat upholstery layout and redesigned headrest
- Striking red seat belts
- AMG Performance steering wheel in carbon fibre design / MICROCUT microfibre with AMG steering wheel buttons
- Metal structure trim element
- Instrument panel and beltlines in ARTICO man-made leather in nappa look
- Interior in chrome package
- Centre console in metal-structure finish
- Ambient lighting and ambient lighting plus
- AMG illuminated door sills with “AMG lettering and with exchangeable cover
- Black AMG floor mats





## Sporty Seat Design

Sporty seats with strong lateral support, including seat cushion length adjustment. The sports seats optimise lateral support for dynamic driving.

## Striking Red seat belts

Elevate your driving experience with the striking red seat belts of the Mercedes-AMG GLC 43 Coupe. These eye-catching seat belts are more than just a visual statement; they embody the high-performance spirit and dynamic elegance of the AMG brand. The vivid red hue provides a bold contrast to the interior, highlighting the sporty character of your vehicle.

## Electrically adjustable front seat with memory package

Comfortable and individual adjustment of the seating position and head restraint is made possible by the electrically adjustable passenger and driver's seat – for pleasant journeys with a healthy posture, especially suitable for longer journeys. 12-way adjustment makes the seat precisely adjustable to suit the personal needs of the front passenger. Thanks to the memory function, the seat moves electrically to the appropriate seating position at the touch of a button. The repeated tiresome search for the personally suitable settings is a thing of the past and you can start your journey relaxed immediately. Up to 3 different seat profiles can be saved.

## Heated front seats

Three-stage seat heating for driver and front passenger. The seat heating quickly brings the seat surfaces and backrests to a comfortable temperature in cooler weather or according to your personal preference.



## AMG Performance steering wheel in carbon fibre design / MICROCUT microfibre

Sporty 3-twin-spoke steering wheel with aluminum steering wheel gearshift paddles, touch control panels and AMG steering wheel buttons. On this AMG steering wheel, striking carbon-fibre design is combined with MICROCUT microfibre providing a good grip – a visual and tactile highlight. Ergonomically positioned touch control panels ensure intuitive user-friendliness and are conducive to focused driving.



## Finger print scanner

With the fingerprint scanner you identify yourself very quickly and comfortably. If you touch the color-lit button, the system enables access to it. This is secure and, moreover, less distraction than entering a PIN.



## Driver display

12.3" driver display with LCD technology and 5 contexts. With the 12.3-inch fully digital and free-standing driver display, you decide what information is important to you while driving. Only the speed display as a number and information on the assistance systems are fixed. You can select further contents and display styles from a total of 5 menus.

## Central display

High-resolution central display with 30.2 cm (11.9-inch) screen diagonal and touch input. The high-resolution central display presents information in brilliant image quality. It is operated by touch input. The screen in portrait format has a full glass cover and is slightly inclined towards the driver, making it easier to operate and read. The climate functions are also operated via the touch display.





## Ambient lighting Plus

Ambient lighting Plus with 64 colors, 10 color worlds and directly illuminated light lines. With a total of 64 colors, ambient lighting Plus with precise, directly illuminated light lines provides the right lighting set-up for you in almost any situation. The colors can also alternate spectacularly in 10 color worlds. The brightness can also be adjusted variably: it can be set in 5 levels and 4 dimming zones.



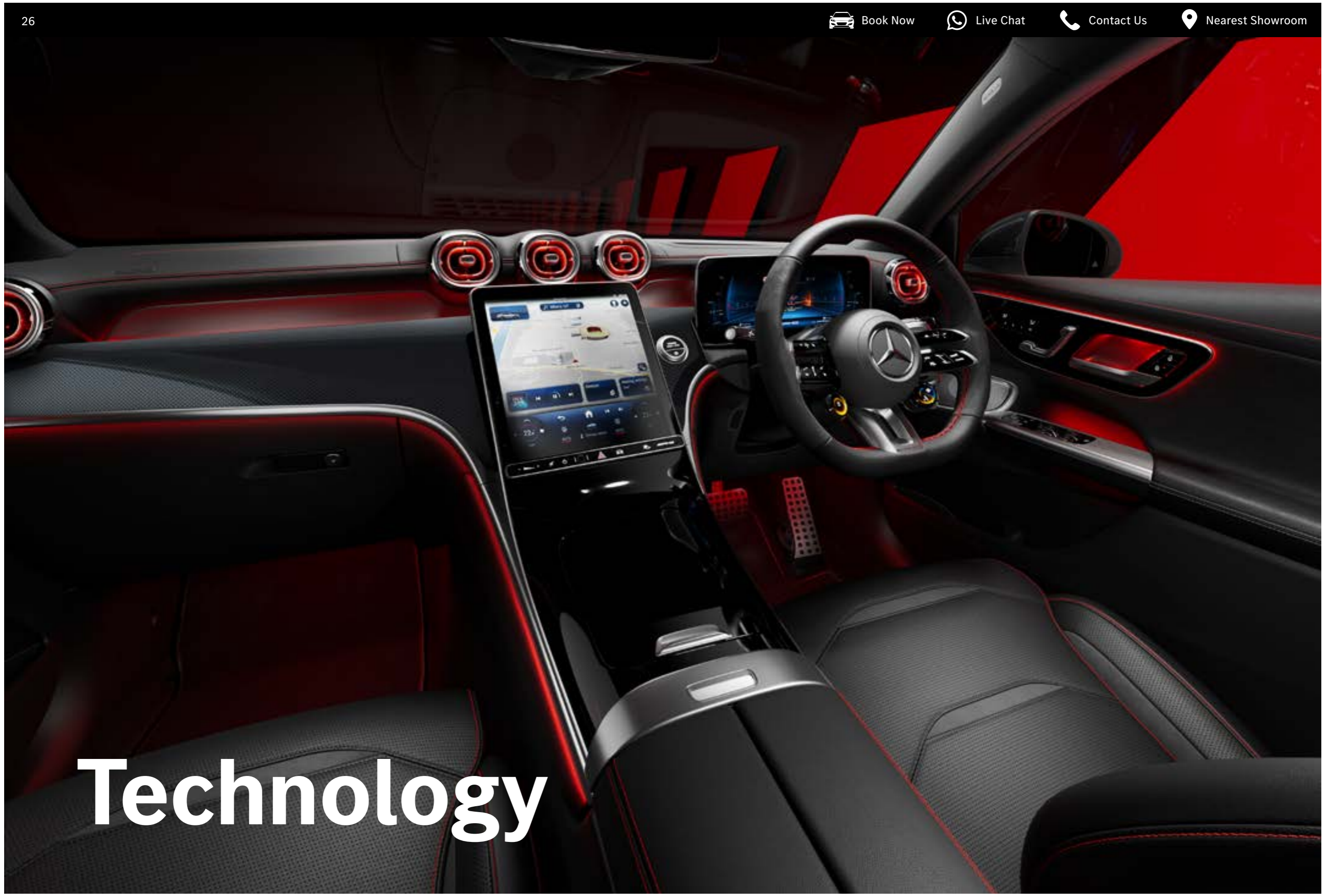
## AMG illuminated door sills with “AMG” lettering and with exchangeable cover

The high-quality stainless steel panels are illuminated with distinctive “Mercedes-Benz” lettering. This way, you show that you value modern luxury every time you get in or out.



## AMG floor mats

The elegant black floor mats with “AMG” lettering blend harmoniously into the interior design and protect the footwells effectively against soiling. When needed, you can very in quickly remove, vacuum or clean the AMG floor mats.



# Technology

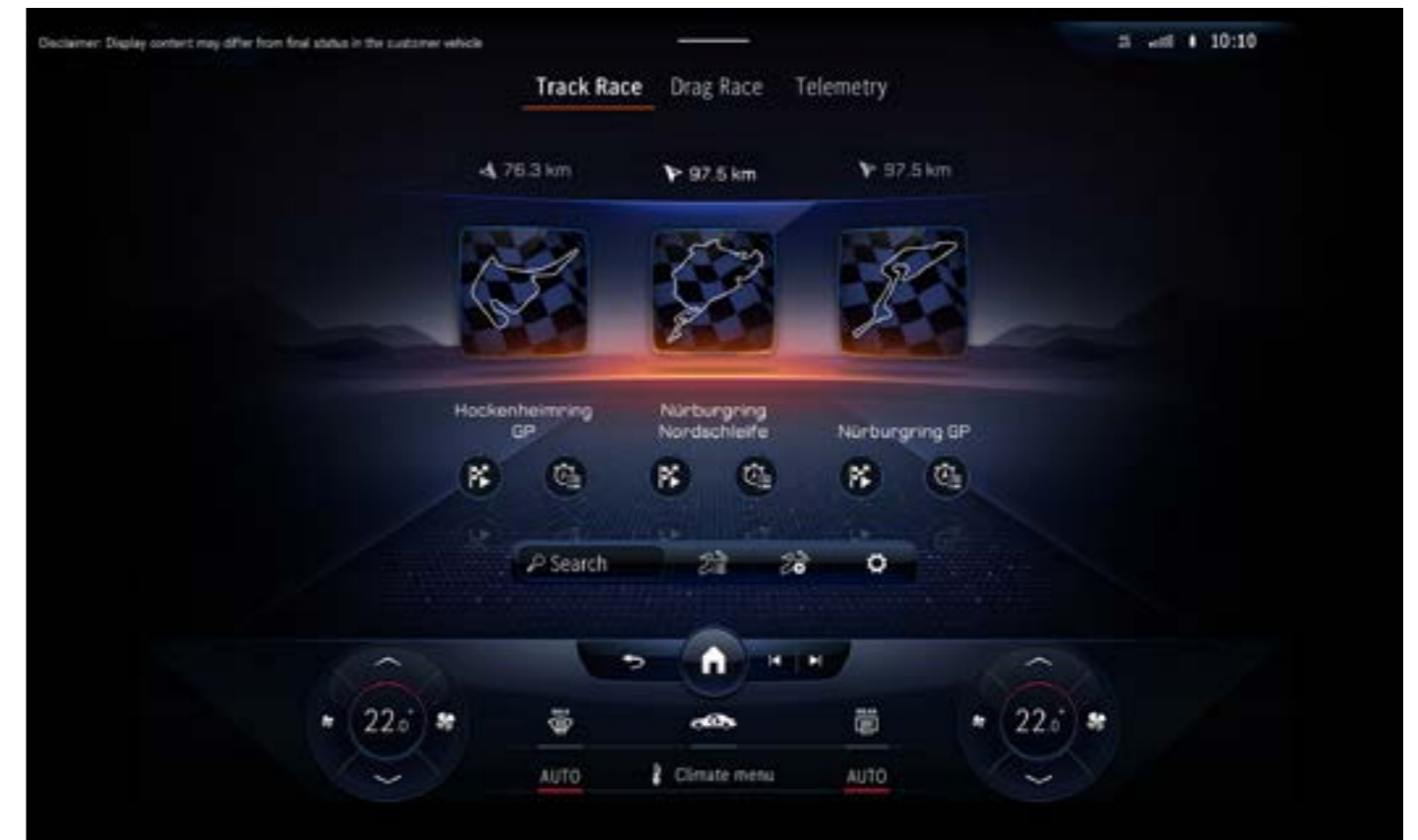


## Head-up display

Full-color head-up display to show information such as speed or navigation instructions. The head-up display transforms your windshield into a digital cockpit. With the virtual, full-color image, you always have a direct view of key information. Your full attention remains on the road and the traffic conditions in front of you. Multiple display styles available.

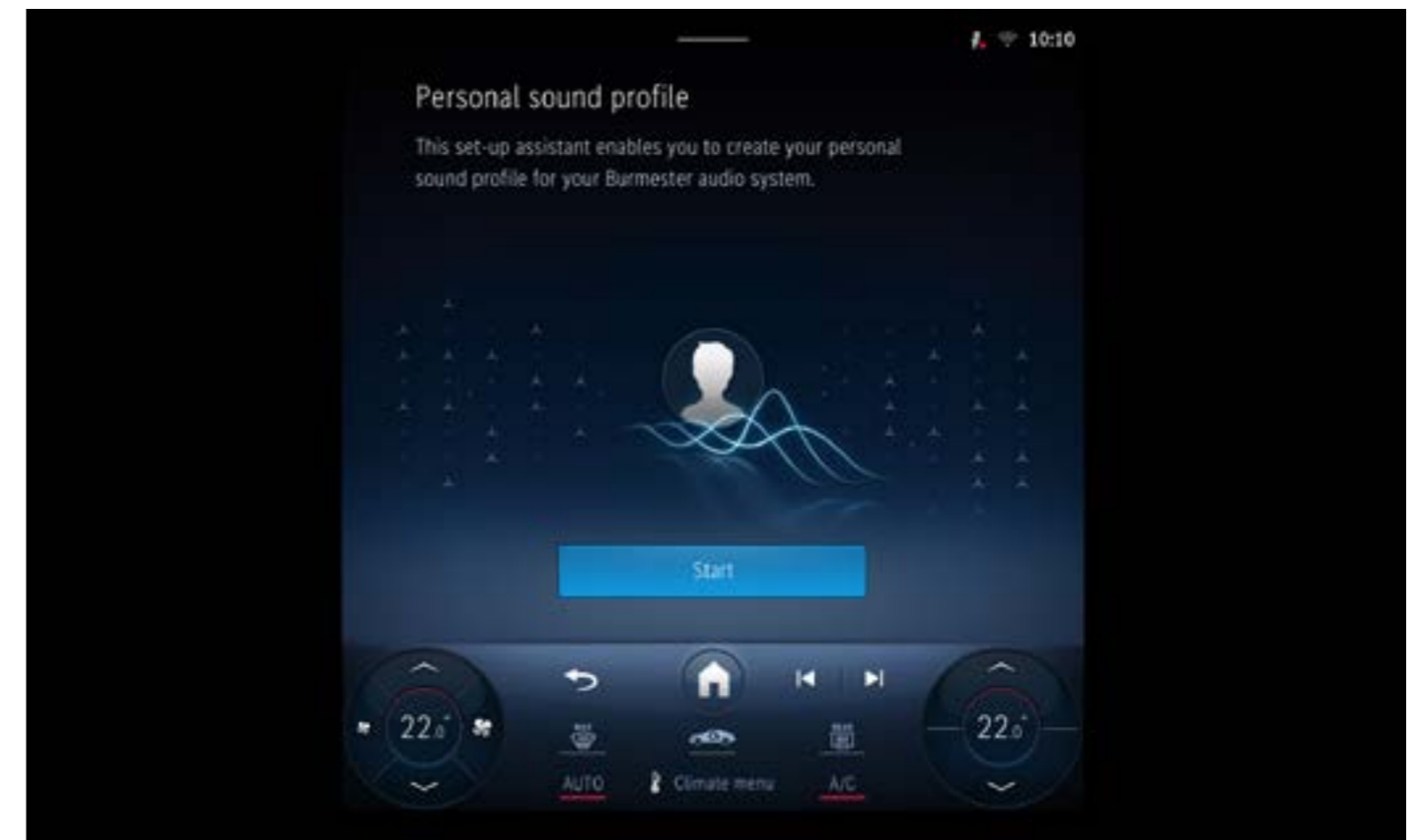
## AMG Track Pace

Virtual race engineer for analysis of lap, sector and acceleration times on closed tracks. AMG TRACK PACE transforms your vehicle into your virtual race engineer. With the aid of lap, sector and acceleration times plus selected live telemetry data, you can specifically analyze and improve your driving skills on cordoned-off tracks.



## Burmester® 3D surround sound system

Exquisite 3D sound with 15 speakers and 710 watts of system output, you can enjoy the legendary Burmester® sound experience. You can adjust the impressive 3D surround sound individually for the front and rear seats according to your listening taste.



## Sound personalization

Digital setup wizard for the perfect sound setup of your Burmester® sound system. A digital set-up wizard works with you to determine your music preferences and adjusts the Burmester® sound system to your wishes. It stores the result in a personal profile. This way you can easily achieve your perfect sound setup.



## AMG Real Performance Sound

With AMG Real Performance Sound, you can determine how the turbo engine sounds in the interior. At the touch of a button or the touchscreen, you can adjust the sound between sporty-decent (BALANCED) or sporty-emotional (POWERFUL).

## MBUX augmented reality for navigation

Live images on the central display show graphic navigation and traffic information. With MBUX Augmented Reality Navigation, you can find your way around even in complex traffic situations. On the central display, the technology merges graphic navigation instructions and traffic information into live images. This way you can reach your destination quickly, safely and without stress.



## Hard-disc navigation

Navigates you quickly to your desired destination including 2D and 3D map display and route options such as Eco and Trailer. Thanks to the fast hard-disc navigation, you save time with flexible inputs via touch control or voice input. The intelligent system guides you reliably to your destination using both local and also up-to-date online information.

## Live Traffic Information

Real-time traffic data for optimized route guidance. Live Traffic Information receives traffic information in real time which is more precise and up to date than conventional systems and optimizes dynamic route guidance.



## Smartphone Integration

Connect your mobile phone wirelessly to the MBUX multimedia system via Android Auto™ or Apple CarPlay™. Smartphone integration wirelessly connects the mobile phone to the MBUX multimedia system via Apple CarPlay™ and Android Auto™. This gives you convenient access to the most important apps on your smartphone. You can also use apps from third-party providers such as Spotify quickly and easily.



## Extended MBUX functions

Customize MBUX to your personal preferences: thanks to the adaptive MBUX voice assistant\*, personal profiles and predictive functions, among other things. The MBUX extended functions are completely customized to you. Say “Hey Mercedes” - MBUX then waits for your wishes and learns thanks to the online connection. Personal profiles, predictive functions and a WiFi hotspot completely redefine what digital networking means.



## Wireless charging system for mobile devices in the front

Driving time becomes charging time - just drop your smartphone into its allotted place in the oddments tray for wireless charging. Irrespective of the model and brand, compatible smartphones are charged wirelessly.

## USB Package Plus

Thanks to total of 6 USB-C ports and 2 12V sockets under the front armrest, rear. You and your passengers can charge mobile devices very easily. Using connected devices, you can also import data such as your stored music to the multimedia system.







## KEYLESS-GO Convenience Package

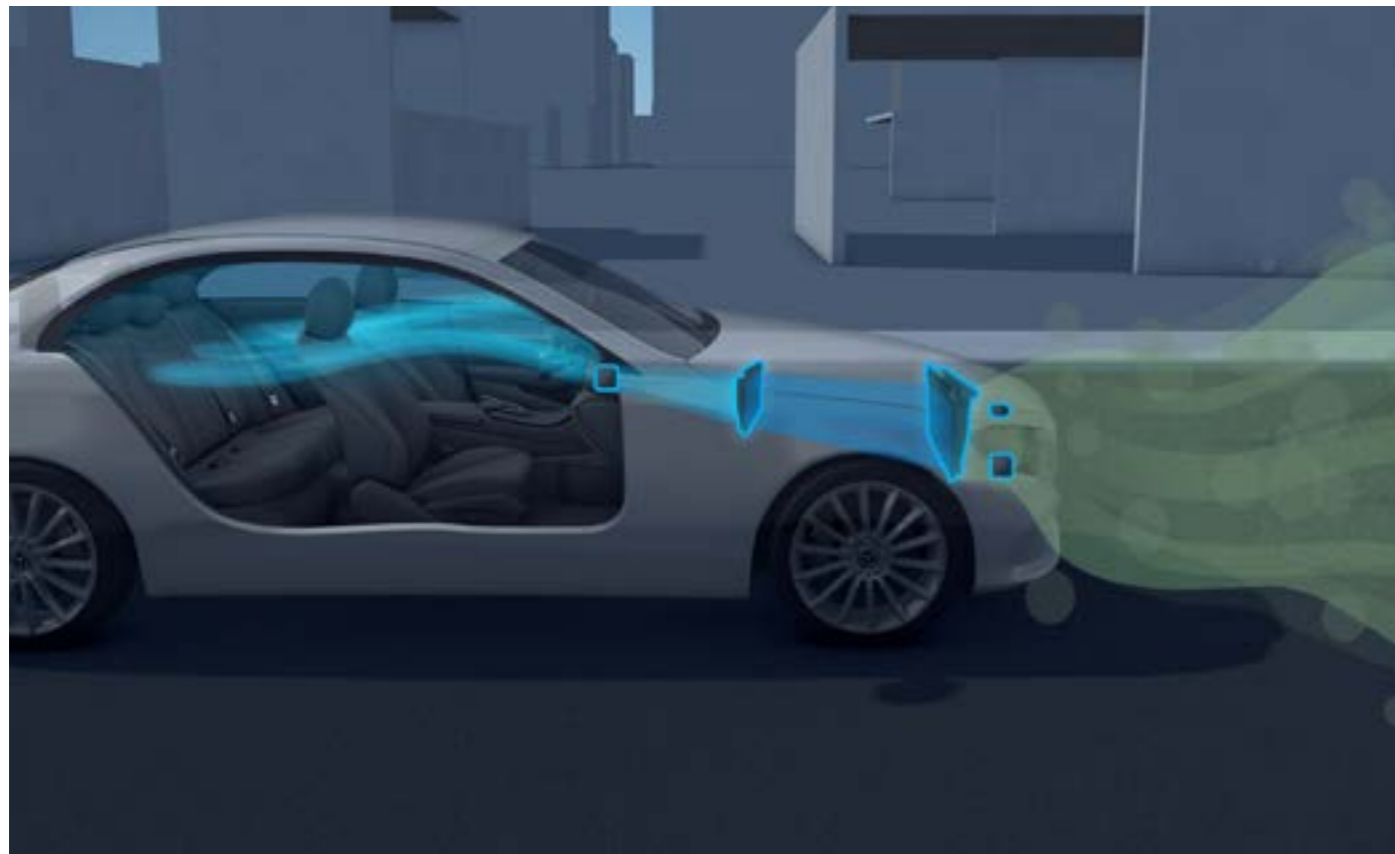
With KEYLESS-GO, your key is already recognized when you carry it in close proximity to the vehicle and in the interior: all doors can then be opened and locked just by touching the door handle.

## HANDS-FREE ACCESS

The tailgate opens and closes fully automatically - with a simple kicking movement of your foot into the sensor area of the rear bumper. This is particularly helpful if you come back from shopping heavily laden and have no free hand.

## ENERGIZING AIR CONTROL

Air quality monitoring including two-stage filter concept. ENERGIZING AIR CONTROL monitors the air quality for you with the help of air quality and fine particle sensors. A two-stage filter concept reduces fine particles and the majority of other inhalable pollutants.

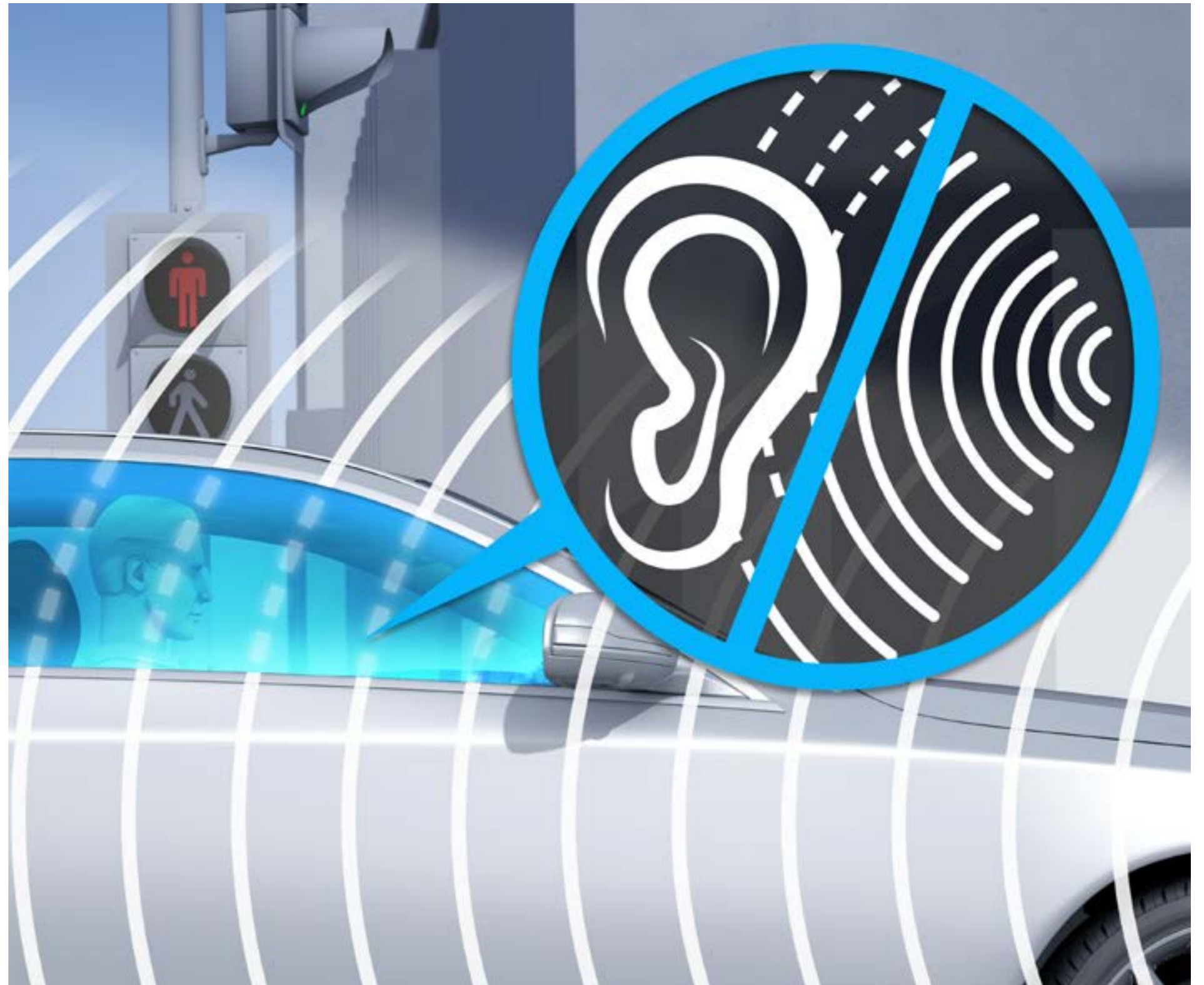


## THERMATIC automatic climate control

The THERMATIC automatic climate control with 2 climate zones offers individual climate comfort in the front seats: the driver and front passenger can set the temperature separately for their side. This is kept constant thanks to the automatic climate control and the sensitive sensor system – without any manual readjustment.

## Heat and noise-insulating acoustic glass

Warmth and noise insulating acoustic glass for excellent noise comfort. The heat- and noise-insulating acoustic glass for the windscreen and front side windows offers you outstanding noise comfort. The glass effectively reduces ambient noise and you enjoy a particularly quiet travel ambience.





**Mercedes-Benz connect allows drivers to stay in touch with their vehicles from anywhere in the world and to obtain assistance at the touch of a button thereby making everyday life easier.**

# Mercedes-Benz

## Vehicle Monitoring

**Vehicle Tracker:** Track your vehicle from anywhere, as your vehicle's GPS coordinates are seen on your phone App. **Parked Vehicle Locator:** It can locate your parked vehicle within a radius of 1.5 kilometres and show you on a map how to make your way back to the vehicle.

## Navigation Connectivity package

The combination of the standard-fit communication module (LTE) and the hard-disc navigation makes sure that you always reach your destination as quickly as possible by the best route.

## Mercedes-Benz emergency call system

The Mercedes-Benz emergency call system can save you vital minutes in an emergency. If an accident is detected, a communications module with its own SIM card automatically triggers an emergency call which could shorten the time until rescue services arrive.

## Vehicle Set-Up

**Remote Retrieval of Vehicle Status:** Information on Mercedes-Benz App or the Mercedes-Benz Portal.

**Remote Door Locking and Unlocking:** You can conveniently remotely lock or unlock your vehicle from the Mercedes-Benz App.

**Speed Alert:** Receive an alert if your vehicle exceeds a certain speed.

**Send2Car function:** Send your address to your vehicle via an app.

**Remote Engine Start/Stop**

## Digital key transfer

Share your vehicle conveniently with family and friends via the Mercedes me app. Share your vehicle with friends and family – wherever you are, and easily via the Mercedes me app. You retain control and decide who you leave your Mercedes with. You unlock your vehicle remotely via the app and activate the stored vehicle key for the user when they are at the vehicle.

Please note that certain services are offered free of cost for a period of three (03) years and may be chargeable at the expiry of three (03) years from the date of activation of such services. If you wish to continue using those services, you may renew the same through Mercedes-Benz Store (as and when it is available). Please get in touch with your preferred Franchise Partner for more details.

# Mercedes-Benz

## Vehicle Finder (enables horn and light flashing)

Find your vehicle in large parking lots with ease. Simply blow the horn or flash the headlamps through the app to locate your vehicle

## Mercedes-Benz Service app: Your digital assistant

Keep a tab on your Star's maintenance with ease. Get timely maintenance and service reminders. Book a service appointment and search for nearest showrooms with a single touch. What's more, access expert tips to keep your Star in its best shape with car care videos.

## Geo-fencing

Set a perimeter for the car movement and receive notifications in case of vehicle movement beyond the parameter. Hence the feature enables easy monitoring when vehicle is being driven by others.

## Windows/sunroof open close from App

Open/Close the windows and sunroof of your Mercedes-Benz remotely through the app. This enables better ventilation before you get into the car.



# Mercedes-Benz

## Additional Mercedes-Benz connect features

**Google Home integration with Mercedes-Benz connect:** Google Home integration is also offered for Google home users. In a similar way, once the Mercedes-Benz connect is linked to Google Home, you can start issuing commands.

**Parking location POIs (Points of Interest):** The introduction of new Parking solution, shows Parking lots available across different parts of the cities. The Parking POIs (Points of interest) can be seen easily on the navigation system or alternatively also on the Mercedes-Benz App maps section.

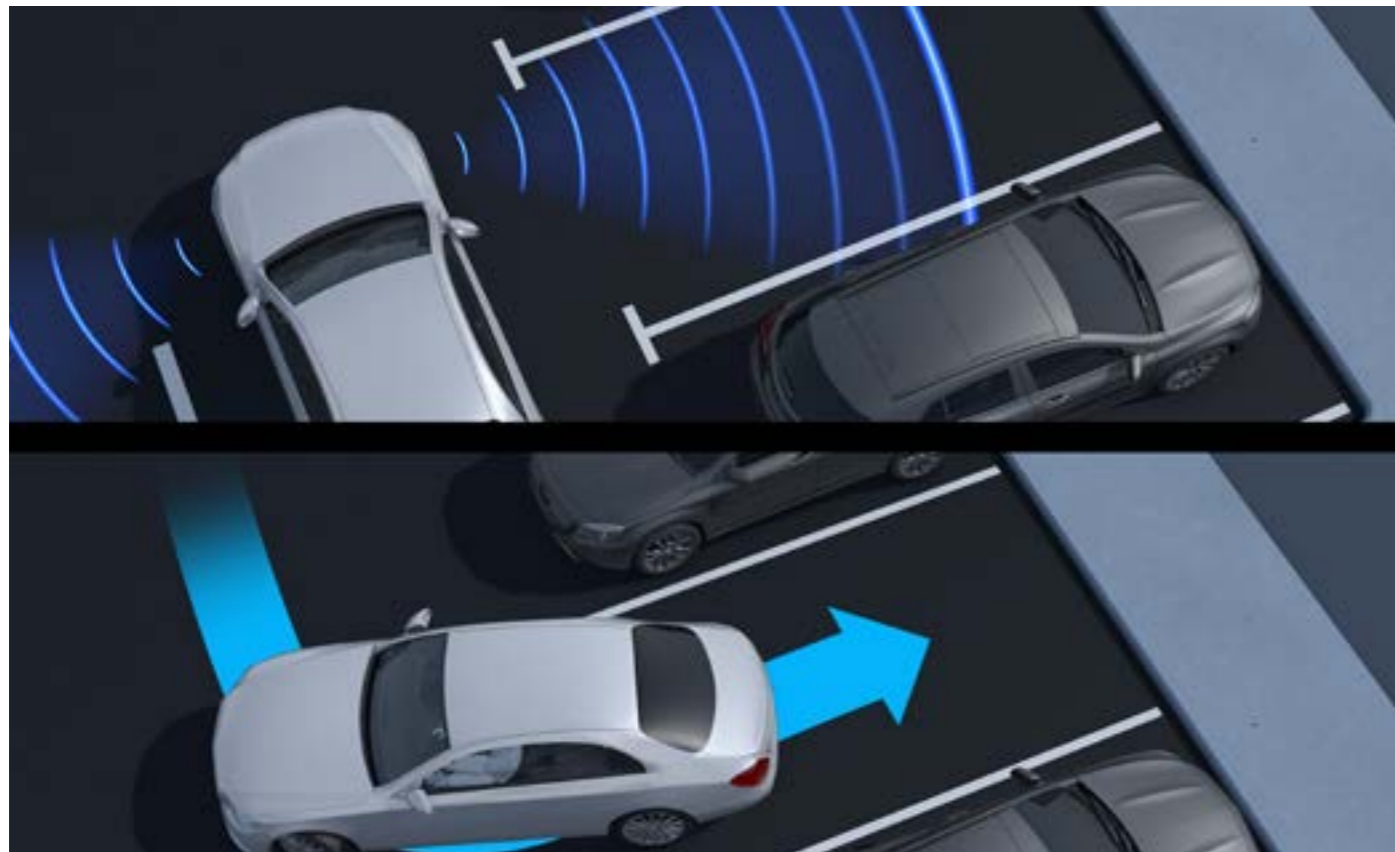




# Safety

## Active Parking Assist with PARKTRONIC

Turn the challenge of tight parking spaces into confident composure. Active Parking Assist with PARKTRONIC is not only able to find parking spaces – it also helps you with reversing into a parking space. It assists with steering and, in vehicles with automatic transmission, also with accelerating, braking and changing gear.



## Parking Package with 360° camera

Exclusive parking service with all-round visibility: Active Parking Assist with PARKTRONIC and 360° camera detects available parking spaces and marked parking spaces as you drive past. After selecting a parking space you can park in it effortlessly thanks to dynamic visualization and audible feedback – or have the vehicle parked with assisted parking.

**Transparent bonnet:** Virtual view of the area immediately in front of the vehicle for improved maneuvering on off-road rides. The virtual view shows the area directly in front of your vehicle when driving off-road. This allows you to maneuver confidently and safely around obstacles – in rough terrain, too. Calculated from camera images, the bonnet appears transparent on the media display.





## Active Lane Keeping Assist

Active Lane Keeping Assist can steer you back into your lane if you unintentionally leave it or come dangerously close to other road users. If you leave the lane anyway, an additional warning follows in the form of steering wheel vibrations.

## Blind Spot Assist

The blind spot assistant can warn you of side collisions with other road users - especially when you activate the indicator to change lanes. After the journey, the exit warning function helps you open the door. An important protection, especially for cyclists.



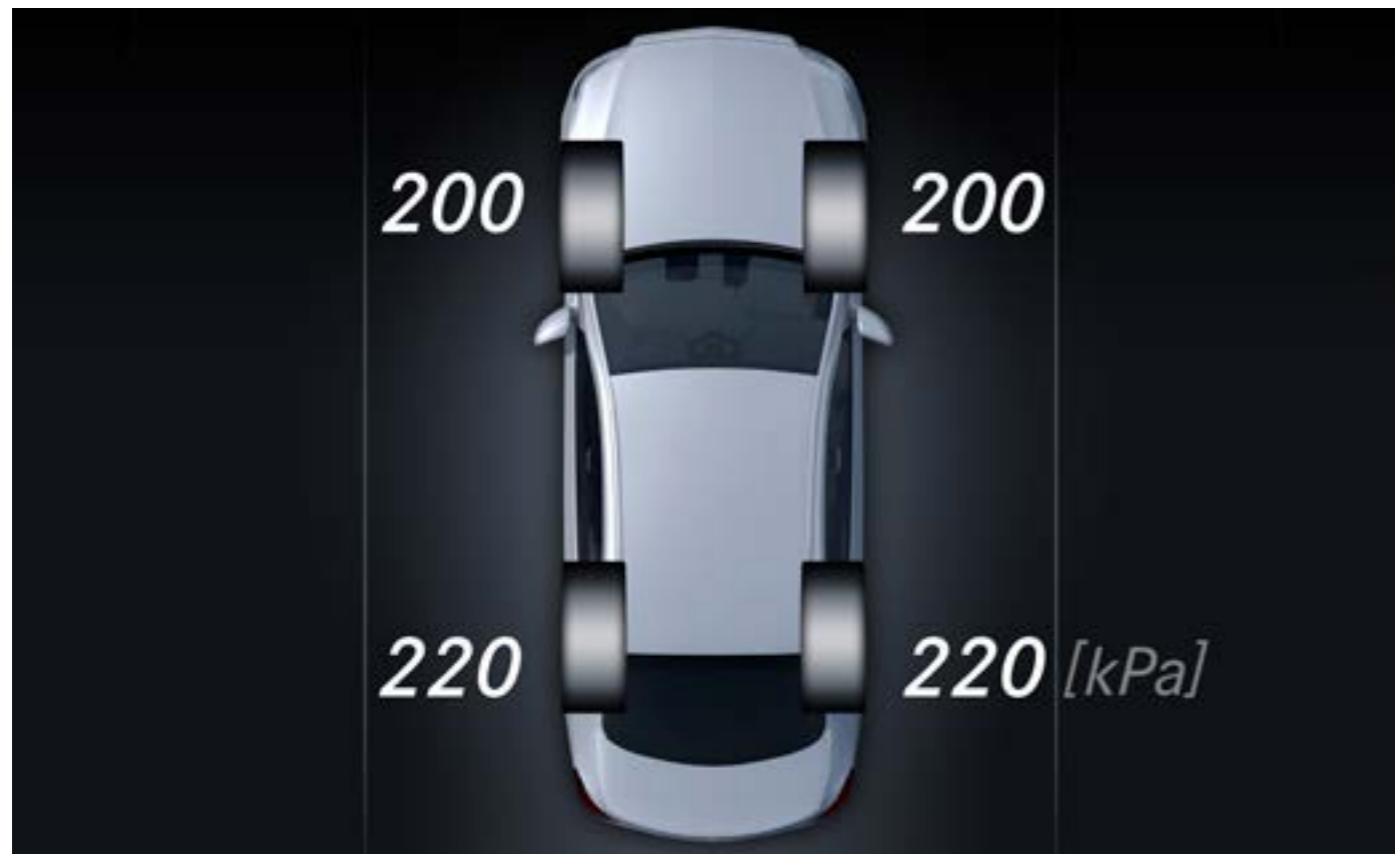
## Active Brake Assist

Can help to mitigate the consequences of a collision with other road users or avoid it altogether, including autonomous emergency braking and turning maneuver function. This assistance system can help to avoid collisions with moving or stationary vehicles in front, with oncoming traffic when turning off and with moving pedestrians as well as cyclists. In addition to distance and collision warning, the system also offers situation-appropriate braking assistance – right up to autonomous emergency braking.



## Sidebags in the rear

Side airbags in the rear can protect the chest area in the event of a side impact. The side airbags in the rear can protect the chest area on the outer rear seats in the event of a serious side impact. To do this, air cushions are pushed between the door side or rear side panel and the passenger. Together with the standard window bags, they can help prevent injuries or reduce their severity.



## Tire pressure monitoring system

The system monitors the tyre pressure for you and provides you with a warning in the event of a drop in pressure. As a result, you can react more quickly to hazardous situations. Insufficient tyre pressure can also result in longer braking distances. When the control system notifies you, you should top up the air quickly. Correct tyre pressure additionally increases the longevity of the tyres.

## Emergency spare wheel

The slim emergency wheel is lightweight and makes changing a tire in the event of a breakdown simple. It enables you to reach the next service station even in the event of more significant tire damage.





# Standard Equipment

# Paintwork

Graphite Grey



High-tech Silver



Obsidian Black



Spectral Blue



Polar White



## MANUFAKTUR Paintwork

MANUFAKTUR Opalite White Bright



MANUFAKTUR High-tech Silver Magno



MANUFAKTUR Patagonia Red Bright



MANUFAKTUR Graphite Grey Magno



## Upholstery



ARTICO / MICROCUT microfibre black with red contrasting topstitching

## Roof liner



Roof liner in black fabric

## Trim



Metal structure trim element

## Center Console



Center console in metal structure finish



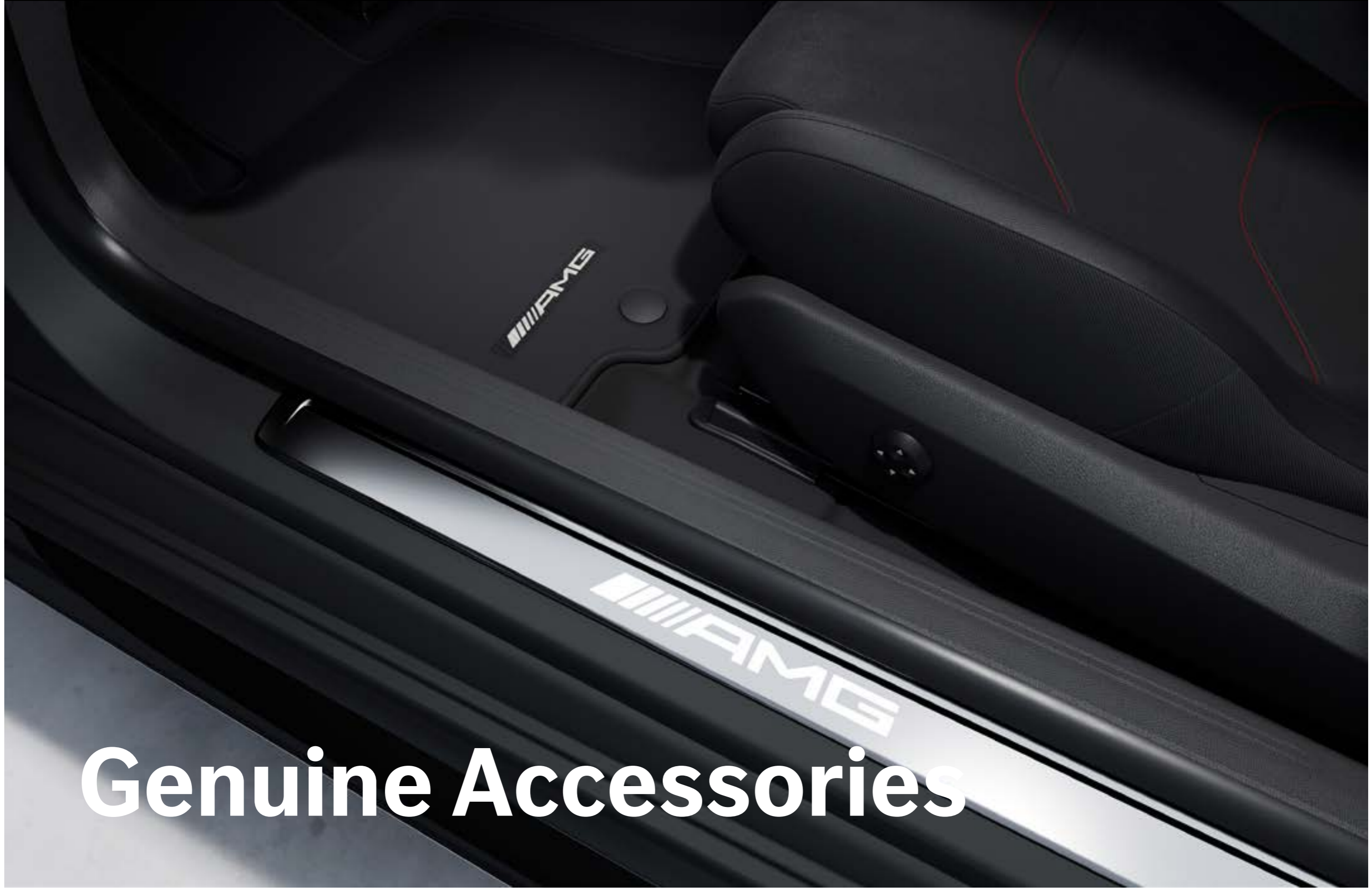
## Alloy



53.3 cm (21-inch) AMG light-alloy wheels in Y-spoke design aerodynamically optimized, painted in matt black with a high-sheen finish



50.8 cm (20-inch) AMG 10-twin-spoke light-alloy wheels painted in matt black with high-sheen finish



# Genuine Accessories

## Genuine Accessories

### AMG fuel cap



Filler cap in high-quality matt chrome with AMG logo. Individualisation with sporty highlights. Optimum fit and can be easily installed by customers. Delivery in appealing AMG presentation packaging.

### AMG hub caps, with AMG emblem



Exclusive design in aluminium, embossed with the traditional AMG emblem – a highlight for your AMG light-alloy wheels.

### AMG valve caps, with Affalterbach badge



AMG valve caps as a highlight of high-quality light-alloy wheels.

## Genuine Accessories

### Basic carrier, Set of 2



Railing carriers precisely matched to the body of the vehicle are the basis for a range of Mercedes-Benz transport solutions such as, e.g. bicycle racks or roof boxes. Crash-tested. Lockable.

### Ashtray



The high-quality ashtray in an appealing Mercedes-Benz design ensures that the interior of the vehicle remains clean and free of ash. Thanks to its elegant and practical design, the ashtray can be used in the cup holder or door stowage compartment, depending on the model series. Its large capacity ensures that nothing stands in the way of enjoying tobacco, even on longer journeys. The integrated ember killer, heat-resistant material and cigarette holder ensure the required level of safety. To empty and clean the ashtray, simply turn it at the top to open.

### Exchangeable cover for illuminated door sill panel, AMG, Front, set of 2



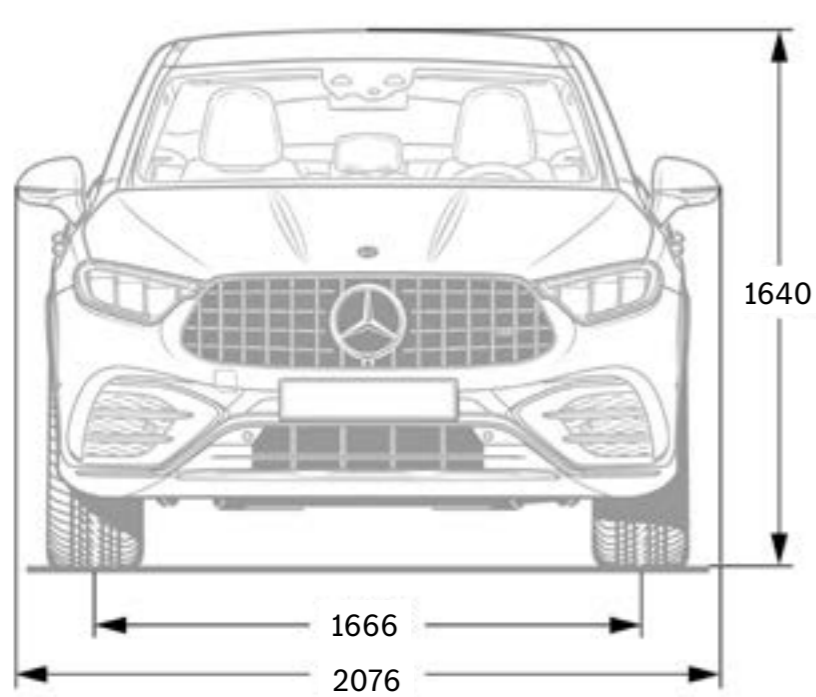
Exchangeable cover in black featuring yellow lettering for door sills featuring LED lighting. The exchangeable cover not only convinces with simple assembly and a precision fit, but also with its durability and long service life.

## Technical Data

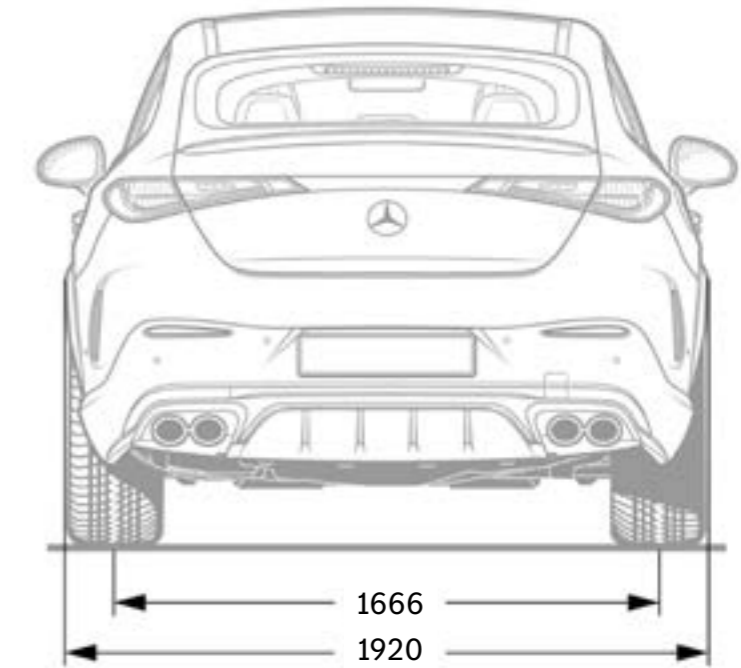
### AMG GLC 43 4MATIC Coupé

Fuel Type	Petrol
No./arrangement of cylinders	L4
Total displacement in cc	1991
Rated Output	310 (421)/6,750 - 6,750 kW (hp) at rpm
Rated Torque	500/5000 - 5000 Nm at rpm
Transmission	AMG SPEEDSHIFT MCT 9G
Acceleration 0-100 km/h	4.8s
Top speed	250km/h

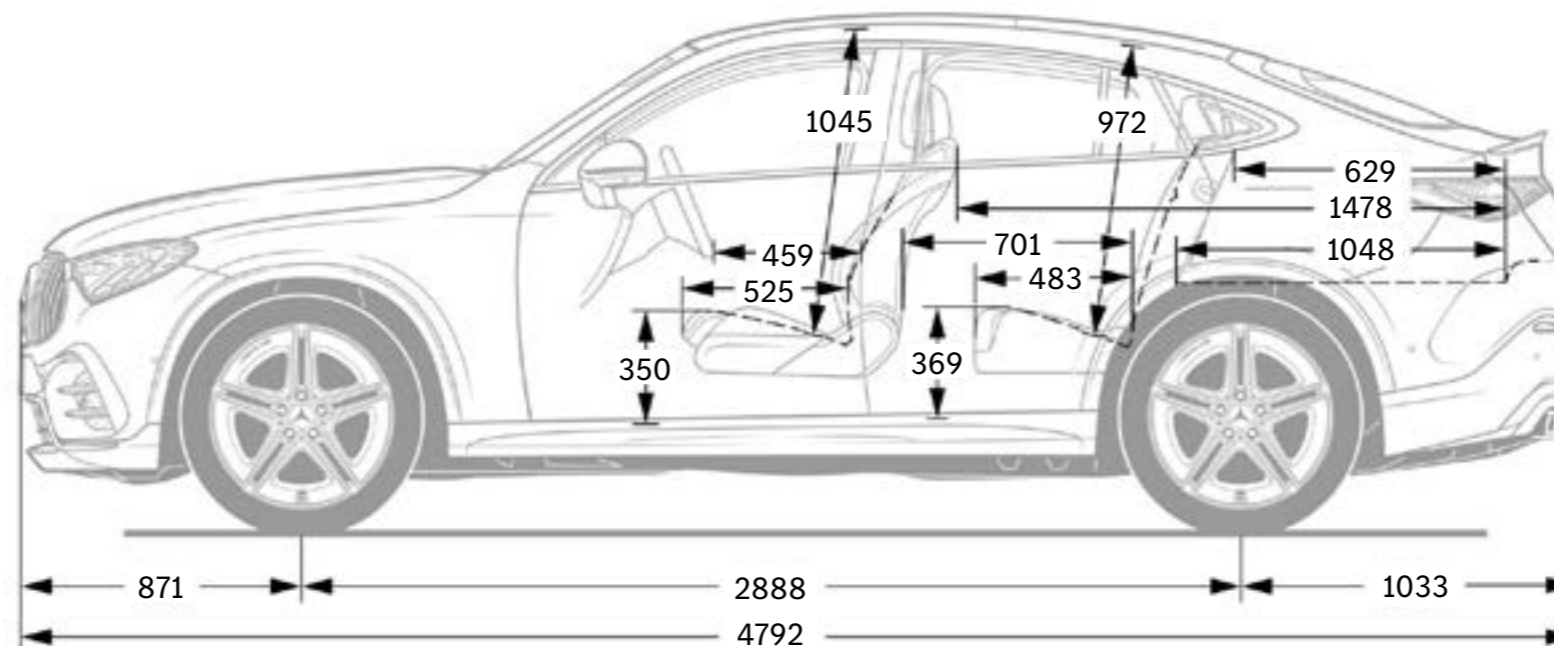
## Dimension



**Rear**



**Side**





## Mercedes-Benz Services

### Advance Assurance Program

#### Extending your warranty coverage

With Advance Assurance Program, experience complete peace of mind. While this Extended Warranty Program kicks in the moment your standard 3 years warranty comes to an end, it can be extended further up to 6 years at a nominal price. Also, it comes with a bouquet of privileges for a worry-free time with your Star.

### Star Ease

#### Delivering the best-in-class value

Servicing your Star does not get any better than this. With the STAR Ease Maintenance Packages, pay a defined cost of maintenance based on the model, contract period and mileage and say goodbye to spending on service every time. Plus, enjoy exclusive features like priority handling, shorter waiting time and quicker processes.

## Mercedes-Benz Services

### Mobilo

#### Providing you 24x7 mobility support

Your vehicle comes with Mobilo which provides round-the-clock on-road assistance service. Mobilo comes as a standard for 3 years and can be extended further up to 8 years at a nominal cost. This service offers privileges like vehicle towing facility, replacement vehicle, hotel accommodation, just to name a few.

### Digital Service Drive

#### Ensuring convenience and transparency of service.

Servicing your Star is the last thing you will ever have to worry about. We provide transparent, convenient and hassle-free service. Our customer-friendly service features work around your busy schedule so that you have one less thing to focus upon.







## Mercedes-Benz Services

### Mercedes-Benz Genuine Parts\*\*

#### Now with 2 years of warranty

Mercedes-Benz Genuine Parts are crafted to the state-of-the-art standards of Mercedes-Benz, protecting your vehicle's performance while maintaining the style, comfort and safety, for the years to come. Also, they come with a warranty of up to 2 years, ensuring you a peaceful ownership experience with your Star.

\*\*Terms and Conditions apply.

### Premier Express Prime\*

#### Because we value your time as much as you do

Life gets busy and so we have designed Premier Express, our vehicle care service to help you get in and out quickly. While the visit will be brief, the service offered by our technicians will be comprehensive and complete. All to ensure your Mercedes-Benz is running for miles to come.

\*Available at selected locations and will be expanded to more locations.

## Mercedes-Benz Services

### Mercedes-Benz Approved Tyres and Alloys

#### Ensuring every ride is a safe and joyful one

Maximise the safety and comfort of your Star with Mercedes-Benz approved tyres and rims. While the Mercedes-Benz approved tyres are designed to optimally match your car's performance, the Mercedes-Benz approved rims are designed to lend an exceptional style to the exterior of your Star and are also engineered for optimal performance.

### Mercedes-Benz Genuine Chemical Products

#### Because your Star deserves nothing but the original

Mercedes-Benz Genuine Chemical Products are specially tested for compatibility with the materials in our cars and meet the high quality standards. Also, our products have been approved under Mercedes-Benz Group AG's strict, self-imposed environmental norms. Now with Mercedes-Benz Genuine Chemical Products, experience a whole new world of superior products that support throughout the car's life cycle.





Mercedes-Benz India Private Limited: E-3, MIDC Chakan - Phase III, Chakan Industrial Area, Kuruli & Nighoje, Tal: Khed, Pune - 410 501 (India) Toll free No.: 0008000501888. e-mail: cs.ind@cac.mercedes-benz.com, website: www.mercedes-benz.co.in Please note: This brochure is intended for general information, description and illustration of the Product including optional functions and equipment and may not be specific to a Product since specification of a product may change from time to time. Optional features, functions and equipment etc. may not be present in the Standard or Variant Product or Special Edition Product. Further, Standard specifications of a product may also vary from time to time. Colours may differ from those shown in pictures in the brochure. Mercedes-Benz India reserves the right to make changes without prior notice, in design, colours, materials, components, equipment, specifications, features, functions, make and models etc. The information given in this brochure shall be regarded as accurate at the time of launch and may vary thereafter due to any developments or any other reason. Interested customers should reach out to the Authorised Franchise Partner for further information on the exact specifications, features of the product.

Images shown are for representation purposes only. Some of the vehicles in the Brochure are left hand drive wheel. However, Mercedes-Benz India only manufactures and sells vehicles as per the applicable motor vehicle regulations in India. All vehicles sold by Mercedes-Benz Authorized Franchise Partners shall be with right hand drive wheels only. All title, ownership rights and intellectual property rights in and relating to this brochure/magazine or publication material or any copies thereof including but not limited to copyright, logos, names, trademarks, service marks, design, text, images, links, concepts and themes are owned by Mercedes-Benz Group AG and/or its subsidiaries collectively or used under authorised license by the Mercedes-Benz Group AG. Any reproduction, transmission, publication, performance, broadcast, alteration, license, creation of derivative works or other use in whole or in part in any manner without the prior written consent of Mercedes-Benz India Pvt. Ltd is strictly prohibited. Please note that certain services are offered free of cost for a period of three (03) years and may be chargeable at the expiry of three (03) years from the date of activation of such services. If you wish to continue using those services, you may renew the same through Mercedes-Benz Store (as and when it is available). Please get in touch with your preferred Franchise Partner for more details. Mercedes-Benz cars: The AMG GLC 43 4MATIC Coupé meets Bharat Stage VI equivalent emission norms. CIN - U34102PN1994PTC083160