

# RENAULT TRIBER





# designed to travel together



**Renault Triber is everything you wish for in a 7-seater family car. The ergonomic interiors are a blend of space, modularity, and superior comfort. Whereas its uncompromising safety makes every drive seamless while the dual tone seals the deal in style.**

**ultra-modular  
with 100+ seating  
combinations**

**India's safest  
7-seater\***

**slide and recline  
2<sup>nd</sup> row seats**

**removable 3<sup>rd</sup> row  
easyfix seats**

**625-litre  
boot space**

**20.32 cm  
touchscreen  
mediaNAV**





## stylish outside safe inside

Alongside offering more possibilities in style with stunning dual tones, Triber's best-in-class features bring more convenience on-the-go. It comes with steering mounted audio & phone controls which help you with media navigation, volume control & attending phone calls safely while you drive.

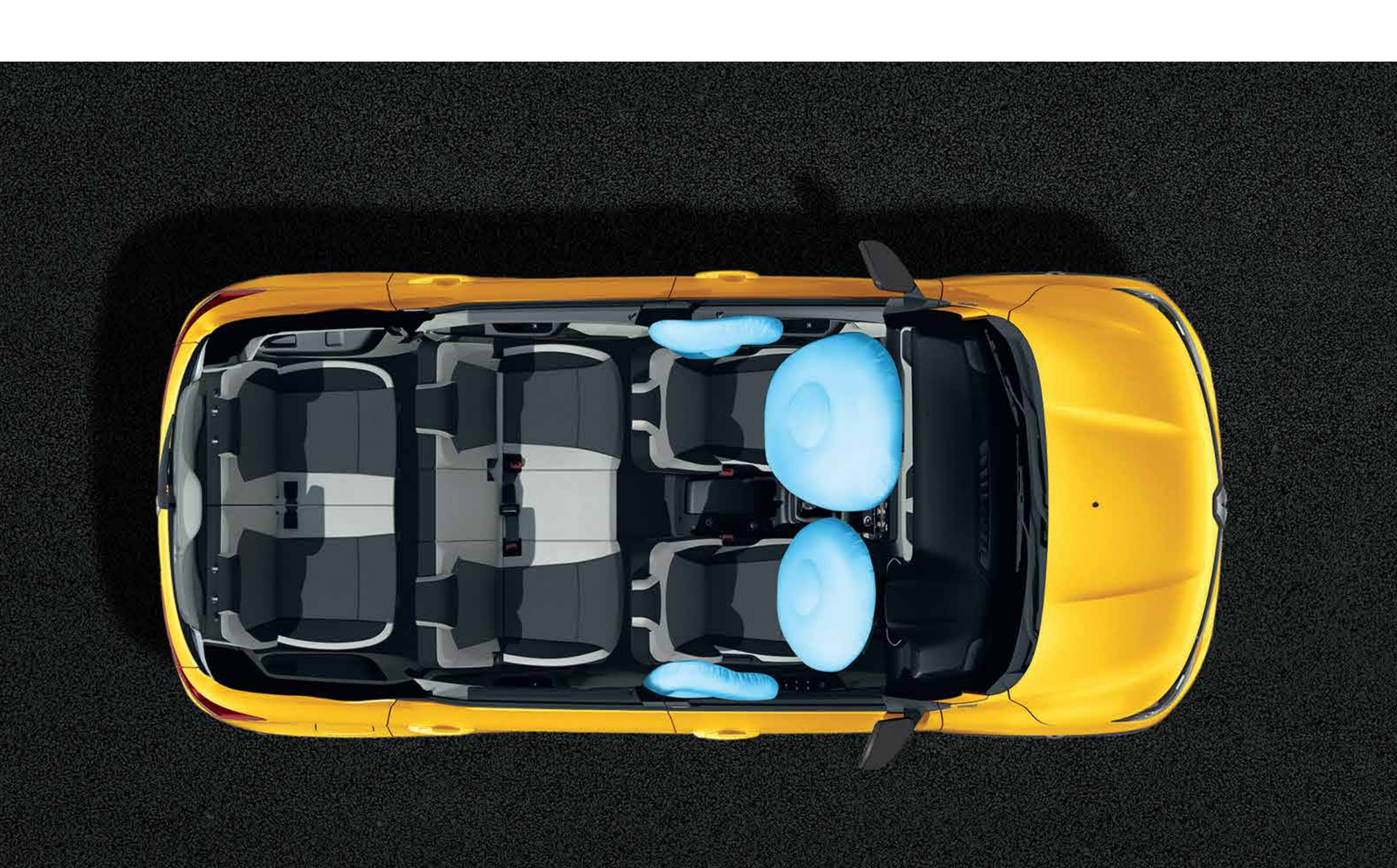
Triber has also been recognized as India's safest 7-seater by GNCAP with a 4-star rating for adults & 3-star for children. The safety additions like ABS and EBD for better steering control, 3-point seat belts coupled with reminder alarms & reverse parking sensors further reassure you with every drive.



6-way adjustable driver seat with seat height adjust



LED turn indicator on ORVMs



front and side airbags - driver and passenger

GLOBAL  NCAP

 ★ ★ ★ ★

 ★ ★ ★

[experience virtually >](#)





## ultra-modular

Renault Triber's smartly optimised cabin offers four exciting modes and 100+ seating combinations to give you all the space you need for your tribe.



7-seater tribe mode



5-seater life mode



4-seater surf mode



2-seater camp mode





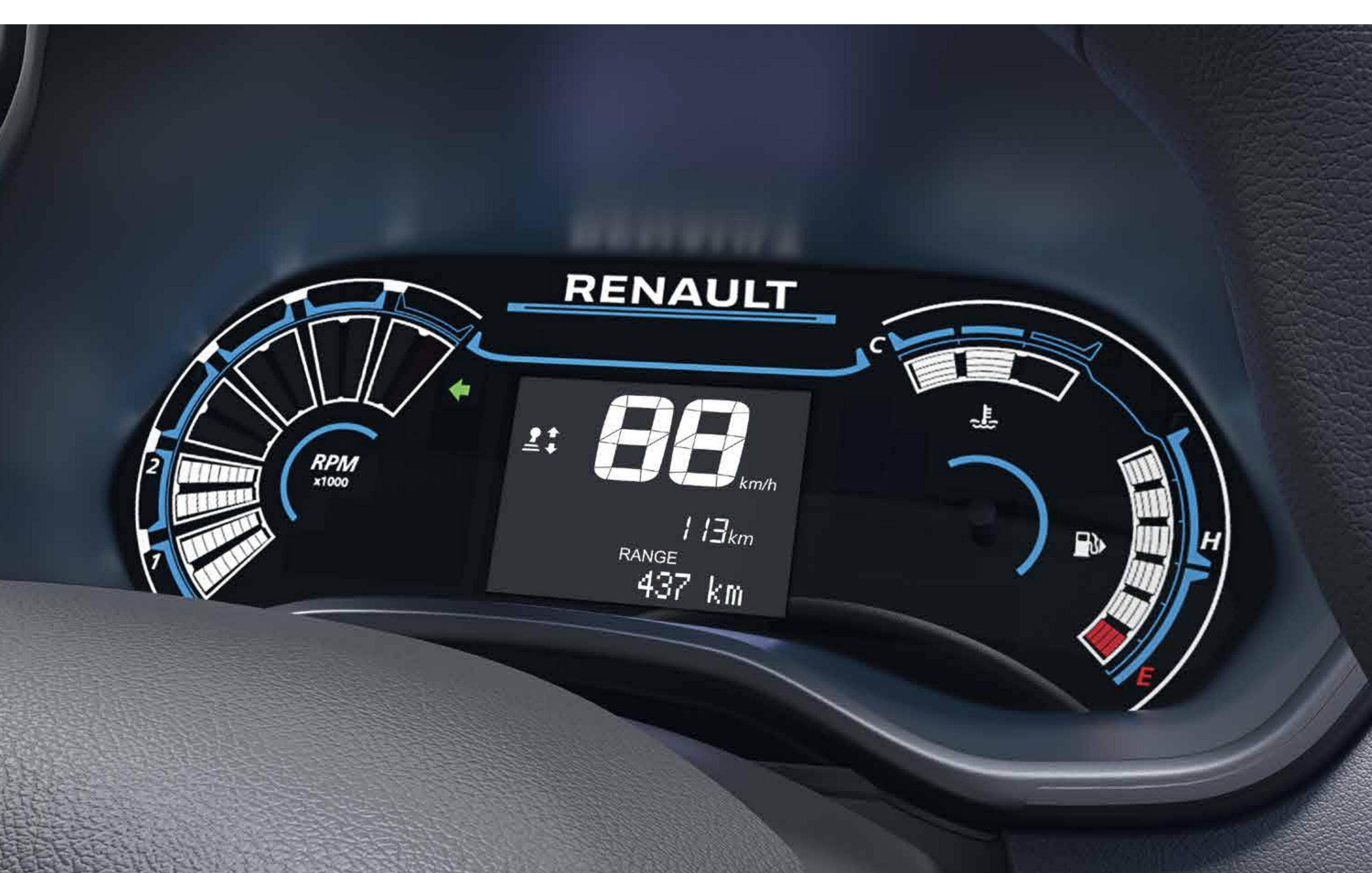
stylish dual tone dashboard with silver accents

## modern and well-equipped interior

The Deep Black & Beige interiors flaunt a new centre fascia with silver accents that spell sophistication. Triber's cabin is enhanced with tech-forward features like the push start-stop button & a touchscreen with Android Auto, Apple CarPlay, push-to-talk and video playback, while utmost comfort comes standard with the twin AC vents on 2nd and 3rd rows.



smart access card



LED instrument cluster



20.32 cm touchscreen mediaNAV evolution with smartphone replication





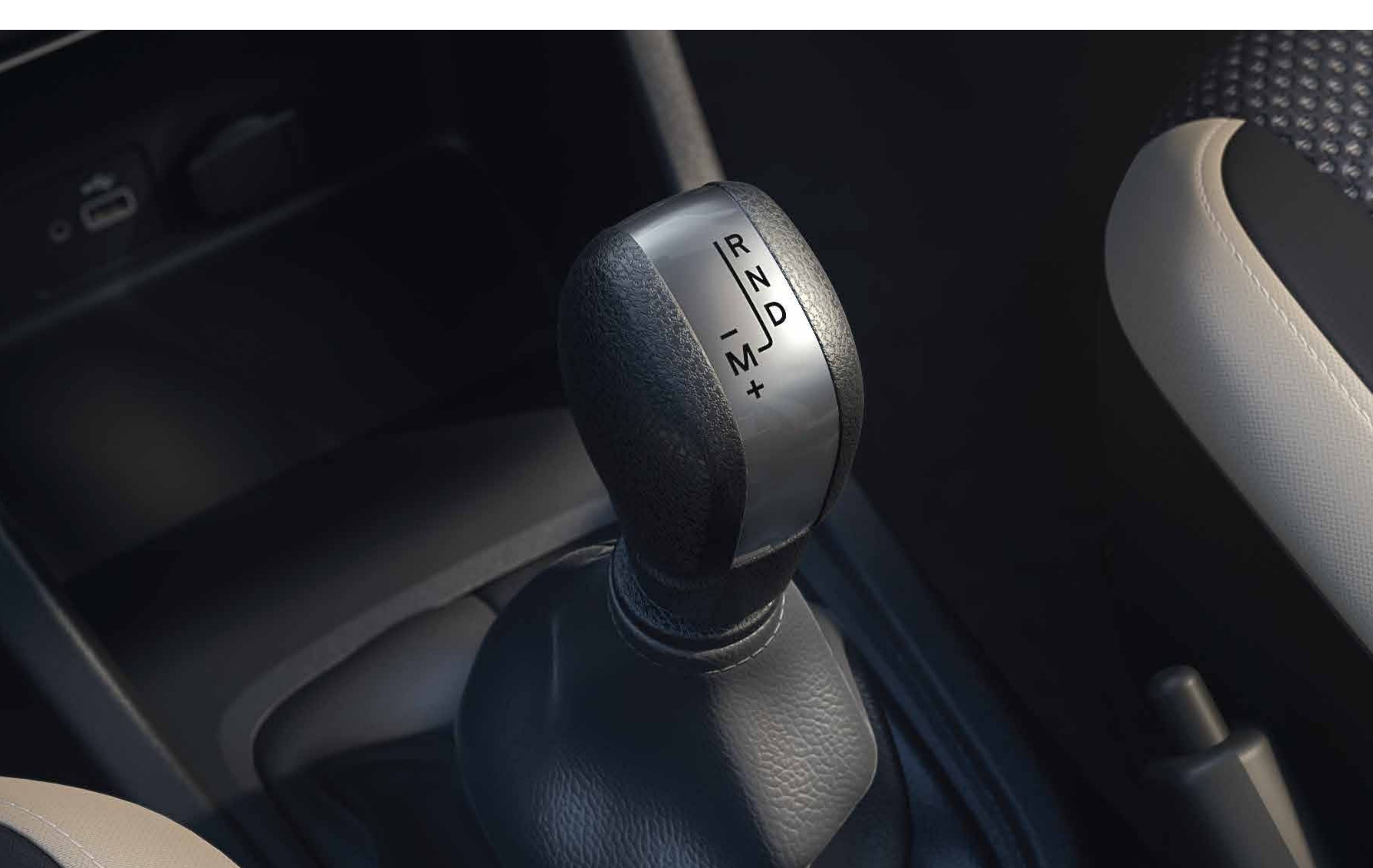
## energy engine

**Triber offers a perfect balance of power and fuel efficiency at a low maintenance cost, making it ideal for India. Its peppy 1.0 litre 3-cylinder petrol energy engine generates 72 PS with 96 NM torque. The dual VVT system delivers maximum response at all revs to ensure optimum acceleration. Equipped with the Traffic Assist function, it allows effortless driving in city traffic conditions with an option to switch to the manual mode as per the driver's needs.**

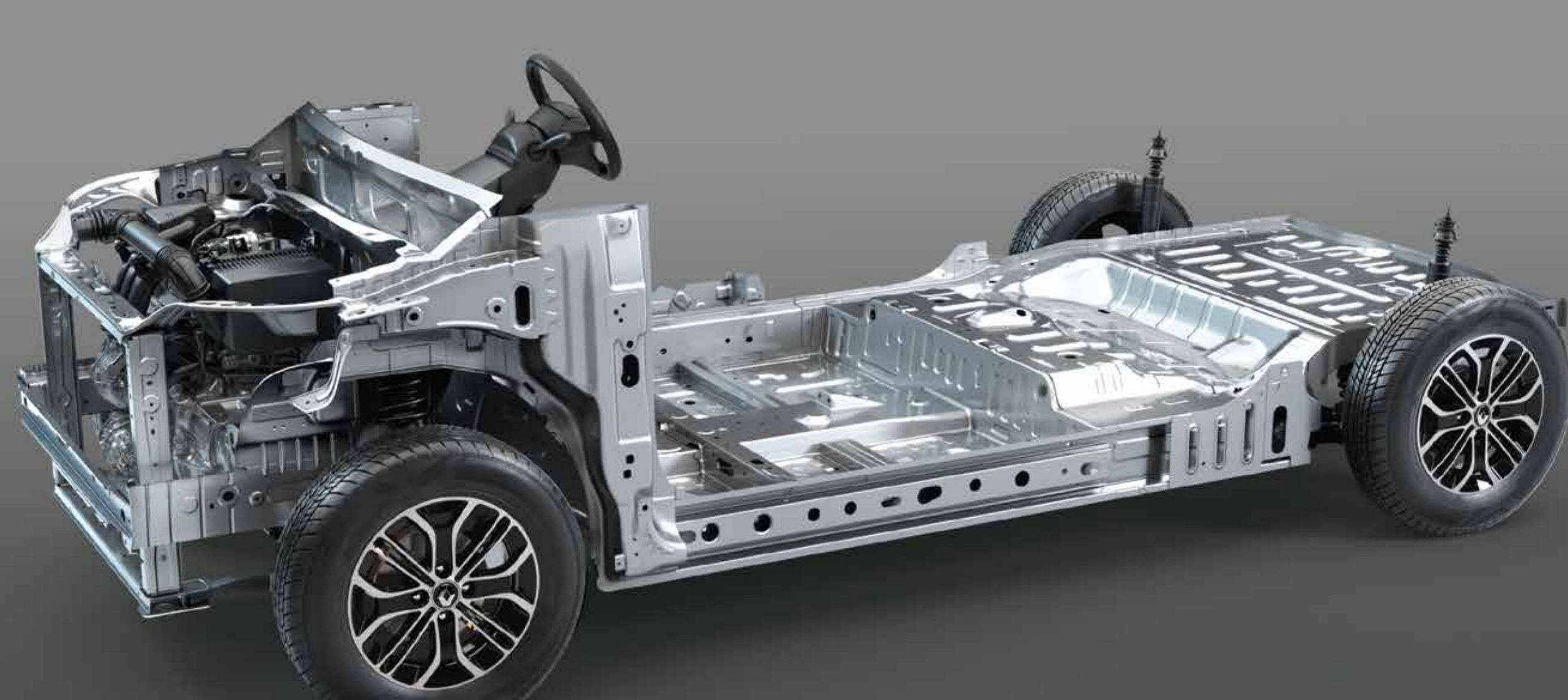


**ENERGY**

dual VVT energy engine



5-speed easy-R AMT



unique platform



# 5 colours with dual tone availability across variants



**Metal Mustard**



**Cedar Brown**



**Electric Blue**



**Ice Cool White**



**Moonlight Silver**

colour variants	RXE	RXL	RXT	RXZ	
	single tone	single tone	single tone	single tone	dual tone
electric blue		✓	✓	✓	✓
moonlight silver	✓	✓	✓	✓	✓
ice cool white	✓	✓	✓	✓	✓
cedar brown		✓	✓	✓	✓
metal mustard		✓	✓	✓	✓

**book a test drive** >



---

# accessories



**seat covers**



**illuminated logo**



**roof carrier**



**alloy wheels**

**explore more** >

---



---

## RXE

### exterior design

- projector headlamps
- wheel arch cladding
- body colour bumper
- wheel centre cap
- black ORVM
- black door handle

### interior design

- dual tone dashboard
- black inner door handles
- LED instrument cluster – amber colour
- meson black fabric upholstery

### safety

- front airbag – driver & passenger
- ABS + EBD
- local limiter + pretensioner (driver only)
- speed alert warning
- seat belt reminder – driver + passenger
- rear parking sensor pedestrian protection

### comfort

- electric power steering
- on board computer
- front power windows
- manual air conditioning with heater
- 2nd row seats – slide recline fold & tumble function
- easyfix seats: fold tumble function
- 60:40 split 2nd row seat
- electrical tail gate release on centre console
- open storage on centre console
- 12V socket – 1st row only
- dual tone horn

## RXL = RXE+

### exterior design

- full plastic wheel cover
- new roof rails with load carrying capacity (50kg)

### interior design

- LED instrument cluster - white colour
- air vents (front side) with chrome

### safety

- speed sensing door lock
- impact sensing unlock

### comfort

- height adjust tilt steering
- rear assist grips on 2nd & 3rd row
- storage in centre console
- remote central locking
- ORVM – manual internal adjust
- R&Go audio system with Bluetooth & USB connection
- new rear power windows
- 2 front speakers

## RXT = RXL+

### exterior design

- triple edge chrome front grille
- body colour door handle
- mystery black colour ORVM
- SUV skid plates – front & rear
- LED turn indicator on ORVMs

### interior design

- HVAC knobs with chrome ring
- japda fabric upholstery

### comfort

- ORVM – electrical adjust
- rear power windows
- front seat back pocket – passenger side
- mediaNAV evolution with 20.32 cm touchscreen
- 2 rear speakers
- twin row AC with 2nd/3rd row vents & independent control
- steering mounted audio & phone controls
- day & night adjustable IRVM
- rear room lighting
- upper glove box
- cooled center console
- vanity mirror – passenger side
- 12V socket – 2nd row

## RXZ = RXT+

### exterior design

- styled flex wheels
- LED DRLs
- dual tone exterior with mystery black roof + ORVM (optional)

### interior design

- dual tone dashboard with silver accents
- chrome finished parking brake button, knobs on front air vents and push button surround
- piano black finish around mediaNAV evolution
- silver finish – inner door handles and steering wheel insert
- 3D spacer fabric upholstery

### comfort

- 2 front tweeters
- smart access card
- cooled lower glove box
- seat height adjust
- push button start / stop
- front seat back pocket – driver side
- rear wiper, washer & defogger
- auto up down – driver window
- rear view camera
- 12V socket – 3rd row

### safety

- 2 side airbags (front seats)



RXE	RXL	RXT	RXZ
<b>engine &amp; transmission</b>			
energy MT		energy MT & EASY-R	
<b>displacement</b>			
999			
<b>number of cylinders</b>			
3			
<b>maximum power output (ps @ rpm)</b>			
72 @ 6250			
<b>maximum torque (nm @ rpm)</b>			
96 @ 3500			
<b>transmission type</b>			
5-speed MT		5-speed MT & Easy-R AMT	
<b>fuel system</b>			
multi point fuel injection			
<b>steering</b>			
<b>type</b>			
electric power steering			
<b>suspension</b>			
<b>front</b>			
macpherson strut with lower triangle & coil spring			
<b>rear</b>			
torsion beam axle			
<b>brake</b>			
<b>front</b>			
disc			
<b>rear</b>			
drum			
<b>wheels &amp; tyres</b>			
<b>tyres (mm)</b>			
165 / 80		185/65	
<b>wheel rim</b>			
35.56 cm		38.1 cm	
<b>dimensions &amp; capacities</b>			
<b>overall length (mm)</b>			
3991			
<b>overall width without mirrors (mm)</b>			
1739			
<b>overall height without roof rails (mm)</b>			
1643			
<b>front track (mm)</b>			
1547		1527	
<b>rear track (mm)</b>			
1545		1525	
<b>fuel tank capacity (litres)</b>			
40			
<b>ground clearance (mm)</b>			
182			
<b>boot space (l)</b>			
<b>life mode</b>			
625			
<b>tribe mode</b>			
84			

**find a dealer** >

www.renault.co.in  
Call: 1800 315 4444

accessories/features shown may not be part of the standard fitment. prices indicated are the ex-showroom prices for the selected city limits only. local taxes, if any, would be applicable. for exact prices, please contact our dealerships. all prices are subject to change, and Renault India reserves the right to modify the prices at its discretion at any point in time. every precaution has been taken to ensure that this publication is accurate and up to date on the date it is printed. this document has been created on the basis of pilot lots and prototypes. as part of its ongoing product improvement policy, Renault India Pvt. Ltd. reserves the right to modify the specifications and vehicles described and shown at any time. such modifications are communicated to Renault dealers as quickly as possible. depending on the country of sale, certain versions may differ and certain equipments may be unavailable (as standard, optional or accessory). RXE version available in Ice Cool White and Moonlight Silver only. due to printing limitations, the colours that appear may differ slightly from the actual paint or upholstery colours. \*Triber has scored 4-Star Safety Rating for Adult occupant safety and 3-star Child occupant safety in crash test conducted by Global NCAP. the same has been published by NCAP on their website. the evaluation of the tests by Global NCAP has resulted in Triber being the safest in the 7 Seater mass segment in India. please contact your nearest dealer for the latest information. all rights are reserved. the reproduction in any format and by any means of all or part of this publication without prior written authorisation from Renault is prohibited. segment definition based on Renault internal classification.

