

The New B-Class



Mercedes-Benz
The best or nothing.

The new B-Class. Be prepared for life.

The New B-Class has a smarter, sexier look and a lot more room. To fit in all the surprises that life can spring on you. Things can never be boring or predictable with this new avatar of the luxury tourer. Get into the swing of today's exciting lifestyle. There is much to experience in the new B-Class.

For the best in every detail:

- 16 | Engines
- 18 | Driving ambition
- 19 | Comfort and convenience
- 24 | The reassuring feeling of driving a Mercedes-Benz
- 26 | Genuine accessories
- 36 | Dimensions
- 37 | Technical data
- 38 | Paintwork and upholstery
- 39 | Trim and alloy
- 40 | Service
- 42 | India's Largest Luxury Car Network



The new B-Class looks organic and dynamic. It is characterised by the imposing front bumper featuring a soft nose design with radiator trim with all-round surround and sweeping lines, a redesigned dynamic front apron and exclusively styled headlamps.

Fine and cultivated
from a good family.



For everything that crosses your paths.

Whether you are on your way to the mountains alone or to the sea with the whole family. The reassuring feeling of driving a Mercedes-Benz accompanies you everywhere. The new B-Class comes with various safety features which supports the driver and protect the occupants from all kinds of threats while driving.



LED High Performance headlamps - more efficient illumination, less on energy consumption.

In addition to the striking look, the LED High Performance headlamps provide more safety at night due to wide light distribution. Thanks to the LED technology used in the low-beam and main-beam headlamps, the road is illuminated for better visibility in the night.

When unlocking the vehicle, the "Coming Home" function welcomes the driver with an exceptional light display. The fibre-optic daytime running lamps first light up blue, then changes colour via a smooth transition into bright white.

The tail lights also feature LED technology and create a visual highlight at the rear while improving visibility. The luminosity of the brake lights varies depending on the surrounded light conditions so as to avoid dazzling other road users.





The best in view.

The new B-Class seats feature comfortable upholstery and ergonomic contours. Attractive seats covered in full ARTICO man-made leather exude a sense of modernity. The cockpit with its futuristic look and high-class appeal provides the ideal conditions for pure, unadulterated driving pleasure in the new B-Class.



A fiery statement, no exaggeration.

The new B-Class comes with stylishly coordinated combination of high-quality appointments and materials. The multifunction steering wheel featuring a 3-spoke design and the shift levers in silver-chrome trim. Bench seats in rear comes with 1/3 to 2/3 split which allows more storage space. The interior for the new B-Class adds individuality that gives the vehicle a self-assured, distinctive character.

Because the best is coming up.



*Please read the disclaimer.

What makes a car a Mercedes?

Deep-rooted traditions: in our case, it is innovative traditions that run deep. We have continually gone down previously uncharted avenues. Milestone by milestone. These ventures spawned the first vehicle with a crumple zone, the first ABS, the first diesel car. The first automobile. But rather than wallowing in the past, let us look to the future.

Mercedes-Benz Intelligent Drive – on the road to accident-free driving. We develop intelligent assistance systems which actively support the driver and noticeably relieve the driver's workload. They monitor and analyse the vehicle's surroundings and handling – and warn the driver if they identify any critical situations. When necessary, some of the systems are able to intervene to take corrective action. Potential dangers are identified earlier than ever – and ever more frequently avoided as a result.

BlueEFFICIENCY – our vision of emission-free driving. Sustainability is a big word to which we lend real meaning in all that we do, down to the smallest details. From minimising the environmental impact of our production operations to alternative drive concepts.



Petrol engine

The petrol engine was developed with the aim of substantially reducing fuel consumption and emissions without compromising on output and ride comfort. The result: progressive, trendsetting engine technology.

4-cylinder in-line engine. The 4-cylinder powerplant with a displacement of 1.6 litres, direct petrol injection, variable valve timing and a turbocharger offers excellent torque and power and exemplary quiet-running characteristics, not to mention appropriately low fuel consumption and emissions.

The high-pressure direct injection via precise piezo injectors and an enhanced combustion process facilitate virtually total combustion and thus higher efficiency, which means that the fuel can be used more efficiently. Direct

injection allows an increase in the compression ratio compared to the previous duct injection, which makes for higher efficiency. The variable valve control results in an optimum cylinder charge level and therefore consumption benefits, which also come courtesy of the lower weight, less internal friction plus ancillaries controlled as required. And last but not the least the petrol engine has the ECO start/stop function and ECO

display fitted as standard. Both help the driver to reduce consumption even further. Over and above this the BlueEFFICIENCY measures such as thermal management for an engine warm-up phase that is kept as short as possible, an oil pump controlled as required plus a particularly efficient alternator.

Note : Not conducive for driving in Waterlogged roads with still water depth more than 25 cm.



The 4-cylinder B 180 petrol engine boasts direct injection via piezo injectors and a turbocharger

Diesel engine

The 4-cylinder in-line diesel engine with common rail direct injection. This engine is installed transversely and is designed for front-wheel-drive vehicles.

Design: The cylinder head has a special intake port as well as an intake valve lift adapted to the downsized displacement. The engine is installed transversely in the vehicle.

The new engine concept additionally accords due consideration to variants such as right-hand drive models.

In order to keep the engine weight as low as possible, the engine is fitted with a crankshaft with four counterweights and a crankcase bearing with individual bearing caps.

In developing the new motor mounts, due consideration was also given to comfortable NVH characteristics for the engine.

Mixture formation: Common-rail direct injection makes a system pressure of 2000 bar possible. The solenoid valve technology creates the conditions for highly flexible injection timing and smooth engine operation, as well as a high output combined with low fuel consumption and low emissions.

The geometry of the flat combustion chamber design and a low compression ratio minimise untreated emissions, especially of NOx. The maximum ignition pressure of up to 180 bar makes for a high output and low pollutant emissions.

The single-stage turbocharger ensures a high power output and high torque already at low engine speeds. The VTG

turbocharger's electrical adjustment ensures fast, precise charge-pressure control.

The charge-air ducting has been designed to minimise pressure loss and noise.

Environment: The exhaust gas recirculation system is modular in design. It is highly efficient on account of low pressure loss, an on-demand cooler bypass and an effective exhaust gas recirculation valve.

The oil and water pumps are activated as required. The belt forces and component weights have been further reduced.

All these characteristics along with ECO start/stop function and ECO display fitted as standard have a positive effect on fuel consumption and emissions.

Note : Not conducive for driving in Waterlogged roads with still water depth more than 25 cm.



The 4-cylinder 200 CDI diesel engine combines high levels of torque with low fuel consumption and reduced emissions

Driving ambition

The 7G-DCT Dual Clutch Transmission provides faster bursts of speed on tap and consisting of two sub-transmissions, each with their own clutch, with three shift programmes.

Economy: Early up and downshifting keeps engine speeds low, thus ensuring a particularly fuel-efficient driving style.

Sport: Higher revving gears deliver a more agile driving experience.

Manual: Manual gear changes using steering-wheel shift paddles, with monitoring of gear selection within permissible engine speed range and gearshift is recommended for fuel-efficient driving.



Comfort and convenience

Panoramic Sunroof: With its large glazed areas, this roof system ensures a particularly bright and welcoming ambience in the interior of the new B-Class making especially the rear more spacious. The panoramic glass rear section brings light and even additional

head room to the passengers in the rear. Varied opening positions allow fresh air ventilation of the interior as required.





* Please read the disclaimer.

Comfort and convenience

Multimedia system NTG 5* 1 Audio 20 CD

This multimedia system combines entertainment, information and communication: the Audio 20 CD with pre-installation for navigation, radio and CD player also enables networking with mobile devices via Bluetooth®.

Some of the salient features are as follows:

- High-resolution colour display with a screen diagonal of 17.8 cm (Two USB ports in the centre armrest for external audio, picture and video devices)
- Digital video transmission of the reversing camera
- CD player, MP3/WMA/AAC/WAV-compatible

- Optimised HMI and display concept with new design and control
- Cover Flow and Cover Art ensures a driver-friendly and easy handling and video preview
- Simple Pairing Assistant for easy connection of telephones via Bluetooth®
- Audio system with 4 x 25 W output
- Speed-sensitive volume control, volume increased gradually from 20 km/h
- Preinstallation for Garmin® MAP PILOT via SD Card slot

Reversing Camera

Reverse parking and maneuvering is made much easier and safer by the reversing camera. It is switched on automatically when the driver selects reverse gear, and shows the driver the area behind the vehicle with dynamic guide lines on the CENTRAL MEDIA DISPLAY. The stationary and moving objects are marked in the camera image.



Comfort and convenience

Rear Armrest

The armrest in the rear opens up to reveal cupholders. There is also a through-loading function when the armrest is opened up.



Rear Seats

The standard rear seat bench offers the following features:

- Generous legroom for a high standard of comfort in all seats
- Rear seat backrests can be folded down with a 1/3 to 2/3 split, forming an almost flat luggage compartment floor when folded
- Middle head restraint is designed for minimal interference with visibility to the rear



Comfort and convenience

Whether you are cruising the boulevards or exploring the countryside, these perfectly matched stylish design and comfort features exude self-assurance and individuality.

EXTERIOR HIGHLIGHTS

Radiator trim with two louvres painted in iridium silver and chrome inserts

Beltline trim strip in chrome

Long chrome trim strip on the rear bumper

INTERIOR HIGHLIGHTS

Seat comfort package - Front passenger seat height adjustment and seat cushion angle adjustment

Line-pattern trim

3-spoke multifunction steering wheel with trim in silver chrome

Shift lever featuring use of silver-chrome trim

Instrument cluster with 11.4 cm TFT colour multifunction display

High-gloss black light switch with ring in silver chrome



The reassuring feeling of driving a Mercedes-Benz

We are the first automotive manufacturer worldwide to have developed an integral safety concept, aimed at avoiding accidents, ensuring ideal responses to dangers and lessening the consequences of accidents. For the occupants of a Mercedes-Benz and for all other road users, too.

Safe Driving

The drowsiness detection system ATTENTION ASSIST serves to enhance driving safety, especially on long trips and at night. It monitors the steering behaviour of the driver to recognise typical signs of drowsiness and severe loss of attention, and gives a visual and acoustic warning of impending microsleep.

Tyre Pressure Monitoring System

Continuous monitoring of the tyre pressures improves driving safety and increases the operating life of the tyres. The tyre pressure of all four wheels is monitored by sensors and indicated in the multifunction display of the instrument cluster.

Adaptive Brake

The braking system improves driving comfort and safety. With the anti-lock braking system (ABS) as a base function it helps the driver to master critical braking manoeuvres more safely.

Hill-Start Assist

Hill-Start Assist enhances comfort and safety and prevents the driver from rolling back in the opposite direction to the engaged gear as the driver moves his foot from brake to accelerator while moving up on uphill gradients.

In an accident

In an accident, the intelligently coordinated restraint systems and the structure of the vehicle's bodyshell make an effective contribution towards optimum protection for the vehicle's occupants. First and foremost the airbags: front airbags for the driver and front passenger each triggered in two stages depending on the registered severity of the impact, sidebags for the driver and front passenger, windowbags between the A and C-pillars, a kneebag for the driver plus optional sidebags in the rear.

Airbags

During a collision, the airbags help to protect the head and torso of the driver and front passenger. In addition they stabilize the entire body. This can reduce the risk of severe injuries in an accident. The following airbags can be seen as a standard:

- Sidebags for the driver and front passenger provide more protection during a side impact. It helps to protect the upper body and pelvic area of the driver and front passenger. In addition they stabilise the entire body that can reduce the risk of severe injuries in an accident.
- Windowbags between the A and C-pillars can protect the head areas of driver, front passenger and occupants in the outer rear seats.

- Knee bag for driver for protection in the knee contact area with the dashboard.
- Driver and front passenger airbag with two-stage activation according to severity of impact.
- Seat occupancy sensor deactivates the airbag on the front passenger side if the seat is not occupied or occupied by a child seat.





*Please read the disclaimer.

Genuine accessories

The new B-Class is a car that combines comfort and safety with a luxurious driving experience. Genuine accessories from Mercedes-Benz allow you to build on these qualities at the same time giving a personal touch to your car.



Rear seat entertainment system: This elegant DVD system allows the rear passengers to watch DVDs, look at their favorite pictures and even play video games on two superb 17.8 cm screens with TFT technology, without disturbing the driver or restricting the rear field of vision. Rear-seat passengers have the option of watching a different video on each screen, allowing each to select their own individual entertainment. The AV-IN connection and USB and SD card interfaces allow other storage media to be used too. Supplied with two sets of infrared headphones and remote control. A separately available video cable allows users to watch videos or view images from external sources.

With a range of multimedia connections, 2 sets of infrared headphones and a remote control, the rear seat entertainment System offers everything you need for in-car entertainment.

Genuine accessories

Quickpark: Parking made easy with Mercedes-Benz QUICKPARK as it uses ultrasonic sensors. Ultrasonic signals bounce back off obstacles in their path, and an audible warning tone indicates the distance between the vehicle and any obstacle. When reverse gear is engaged (with ignition switched on) an audible signal indicates that the system is operational. QUICKPARK effectively helps prevent damage when reversing into a parking space. QUICKPARK includes: four distance sensors which can be painted, control unit with mounting, flexibly encased, vehicle-specific wiring harness, protected against spray and dirt, one buzzer and detailed instructions. Retrospective upgrade for vehicle.



Quickpark

Illuminated Star: Let your Star shine. Thanks to fibreoptic cables and LED technology, the central star emblem in your Mercedes' radiator grille lights up when you remotely lock/unlock the vehicle or open the door or tailgate. Only functions when engine is switched off.



Illuminated Star

Genuine accessories

Styling

Exterior mirror housing: High-gloss black exterior mirror housing for an individual, sporty and dynamic look. Set of 2.



Exterior mirror housing

AMG door pin: In high-quality stainless steel, colour silver grey.



AMG door pin

Sports pedals in brushed stainless steel: High-quality appearance giving a refined, sporty look. Manufactured using high quality stainless steel with non-slip stud inlay. Extremely hardwearing and durable. Thanks to optimum selection of materials and safety-tested to Mercedes-Benz's very high standards.



Sports pedals in brushed stainless steel

Genuine accessories

Protection and Care

Mud flaps: Protect the underbody and the sides of the vehicle from loose chippings and dirt. Available in pairs for front and rear axle in black colour.



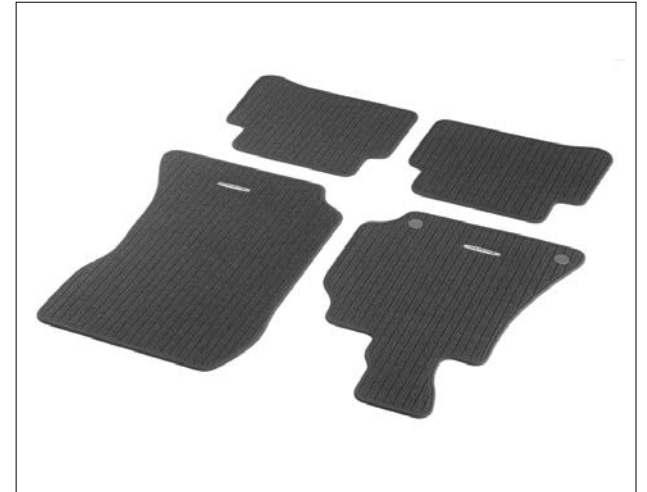
Mud flaps

CLASSIC all-season floor mats: Robust, washable synthetic mats, designed for heavy use. Curved line design. With distinctive Mercedes-Benz star logo. Available in black.



CLASSIC all-season floor mats

CLASSIC rep floor mats: Durable, extremely hardwearing needle felt mats, featuring metal badge with Mercedes-Benz lettering. Available in various colours to match your interior.



CLASSIC rep floor mats

Genuine accessories

Light-Alloy Wheels

Mercedes-Benz light-alloy wheels Mercedes-Benz light-alloy wheels not only boost your vehicle's looks, they also offer the ultimate in safety. All wheels are precision-tailored to your vehicle in terms of load profile and dimensions. Before your light-alloy wheels are allowed to accompany you safely on your travels, they are subjected to an extensive development and testing programme. Each wheel design has to pass a variety of endurance tests, based on exacting Mercedes-Benz guidelines, all of which exceed

statutory requirements. These include special test routines which simulate real challenges on the road and material tests in cutting-edge x-ray facilities. Only once, all of the tests have been passed may the wheels be included in the range of genuine Mercedes-Benz light-alloy wheels. Add an individual touch to your vehicle with a tested and approved genuine Mercedes-Benz light-alloy wheel and head for the open road.



5-twin-spoke wheel, "Himalaya", grey, high-shine
Wheel 7.5 J x 17 ET 52.5 | Tyre 225/45/R17
A24640103027X21



5-twin-spoke wheel Finish: Tremolite metallic
Wheel 7.5 J x 17 ET 52.5 | Tyre 225/45/R17
A24640110027X28

Genuine accessories

Protection and Care



5-twin-spoke wheel Finish: Himalaya Grey, high-shine
Wheel 7.5 J x 17 ET 52.5 | Tyre 225/45/R17
A24640115027X21



5-spoke wheel, 43.2 cm (17 inch), high-shine tremolite metallic
Wheel 7.5 J x 17 ET 52.5 | Tyre 225/45/R17
A24640119027X44



Rim locks The coded key secures your wheel against theft



5-twin-spoke wheel, high-shine, black
Wheel 7.5 J x 18 ET 52 | Tyre 225/40/R18
A24640104027X23



Mercedes-Benz hub caps provides a stylish finish for light alloy wheels. They are not just attractive but practical too as the caps also keep the hubs clean. There are plenty of designs to choose from, that exactly suit your Mercedes-Benz vehicles.



Valve caps, black Chrome valve caps with a Mercedes-Benz star logo embossed on head, add a refined stylish finishing touch to all Mercedes-Benz light alloy wheels.

Genuine accessories

Cargo and Care

Stowage crate: A secure hold for items which are prone to tip over or slide around, e.g. shopping bags. Adjustable partitioning elements allow crate to be divided into max. four sections. Optimum functionality only in conjunction with shallow boot tub.

Shallow boot tub: Made from impact-resistant, non-slip polypropylene. Suitable for transporting foodstuffs. Structured surface holds separately available stowage crate in place.

Concertina load sill protector: Protects the rear of the vehicle from scratches when you're loading the vehicle – and prevents dirt from the car from getting onto your clothes. Practical design – can be secured to shallow boot tub or reversible mat.

Deep boot tub: Deep edge all round. Made from flexible, impact-resistant HD-PE plastic. Suitable for transporting foodstuffs.

Shopping crate: Anthracite. Collapsible. When not in use can be folded and stowed away in the boot compartment. Features Mercedes-Benz logo and lettering.



Stowage crate



Shallow boot tub



Concertina load sill protector



Deep boot tub



Shopping crate

Genuine accessories

Other Accessories

Coolbox: Not only cools but warms too. Cools up to 20°C below ambient temperature – to max. -2°C. Can be switched to warming function. Robust, highly insulated hard case with fabric cover, outside pockets and padded shoulder strap. Capacity: 24 litres. Can be connected to 12 V socket in vehicle or to 230 V power source via separately available rectifier.

Rectifier: Allows the coolbox to be connected to a 230 V socket at home.

Coat hanger: Minimize creasing with this stylish and practical coat hanger made from chromed metal. Easy to fit to the front head restraints.

Tyre pressure gauge: Allows you to carry out a quick tyre pressure check on the road or at home. Keeping tyres at the optimum pressure saves fuel and reduces tyre wear. Suitable for all motor vehicle tyre valves and for cycle valves. Supplied with leather pouch.



Coolbox



Rectifier



Coat hanger



Tyre pressure gauge

Genuine accessories

Mercedes-Benz Child Safety: Offers optimum protection in the event of an accident. Child seats are tested and inspected to exacting Mercedes-Benz specifications.

“BABY-SAFE plus II” child seat Deep, moulded seat design offers extra side-impact protection for optimum safety. Special padding, designed to protect particularly vulnerable body areas of children up to around 15 months (up to 13 kg).



“BABY-SAFE plus II” child seat

“DUO plus” child seat Optimum safety for children between the ages of around 8 months and 4 years (9 to 18 kg). Fitted as standard with top tether, an additional belt for securing the head section, a height-adjustable shoulder belt, ventilation channels and ISOFIX attachment.



“DUO plus” child seat

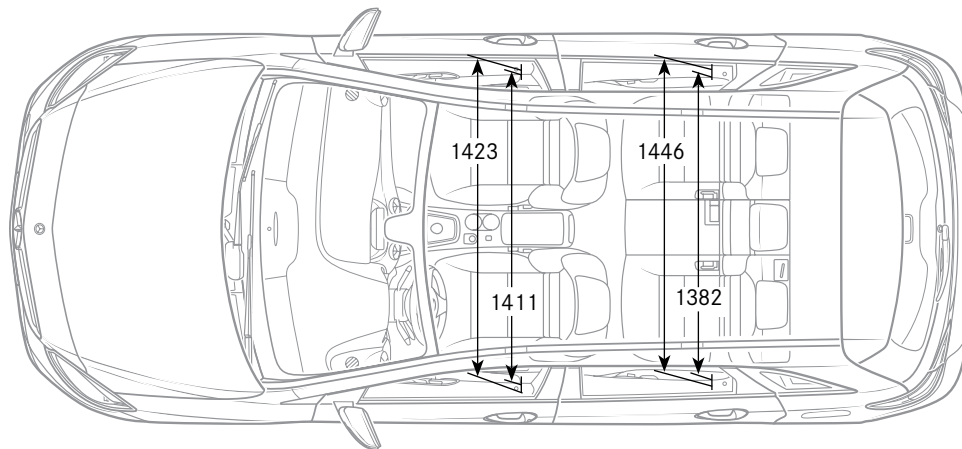
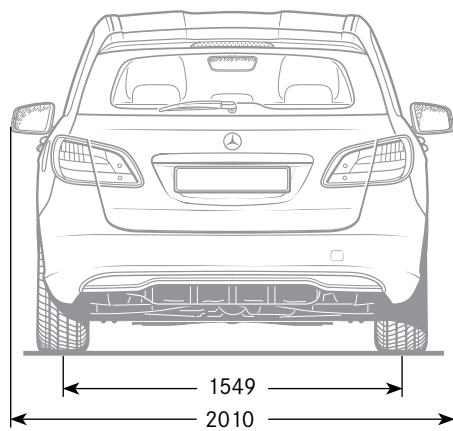
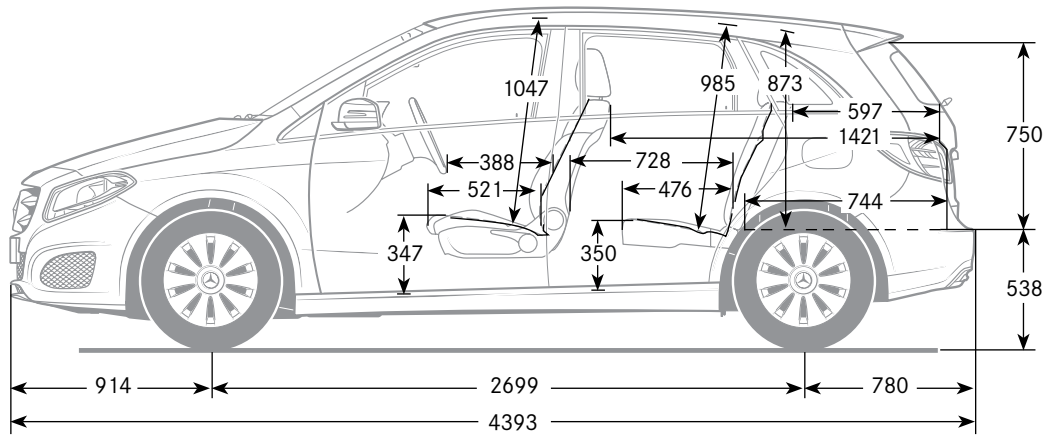
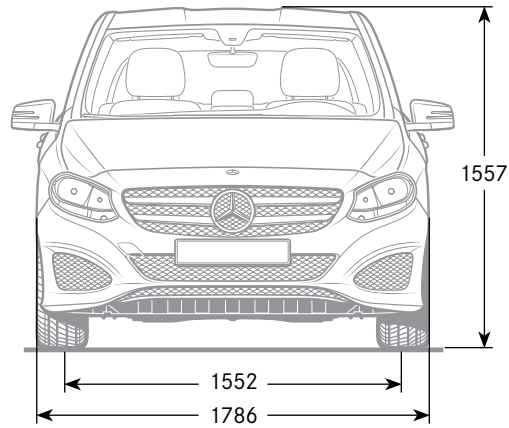
“KIDFIX” child seat Booster seat for optimum side-impact protection, with height adjustable backrest. The “KIDFIX” seat is secured using the 3-point seat belt and ISOFIT attachment points. For children between the ages of around 3.5 and 12 (15 to 36 kg).



“KIDFIX” child seat



Dimensions



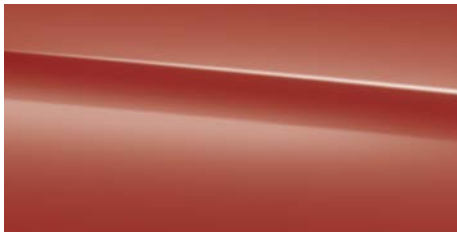
All dimensions in millimetres. The dimensions shown are mean values and apply to standard-specification, unladen vehicles. The dimensions shown correspond to vehicles with a diesel or petrol engine.

Technical data

| | B 180 Sport | B 200 CDI Sport |
|---------------------------------------|--------------------|------------------------|
| Arrangement / No. of Cylinders | In-line/4 | In-line/4 |
| Total displacement (cc) | 1595 | 2143 |
| Rated output (kW [hp] @ rpm) | 90 [122] @ 5000 | 100 [136] @ 3600-4400 |
| Rated torque (Nm @ rpm) | 200 @ 1250-4000 | 300 @ 1600-3000 |
| Top speed (km/h) | 200 | 210 |
| Tyre Size, front/rear | 205/55 R16 | 205/55 R16 |
| Fuel | Petrol | Diesel |
| Tank Capacity (l) / reserve approx. | 50/6 | 50/6 |
| Boot Capacity (l) | 488 to 1547 | 488 to 1547 |
| Turning Circle diameter (m) | 11 | 11 |
| Kerb weight (kg) | 1425 | 1577 |
| Permissible gross vehicle weight (kg) | 1950 | 2025 |
| L x W x H (mm) | 4393x1786x1557 | 4393x1786x1557 |
| Wheelbase (mm) | 2699 | 2699 |

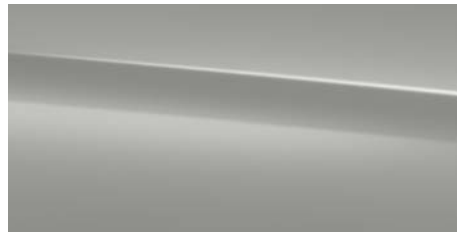
Paintwork and upholstery

Non-metallic Paints



Jupiter Red

Metallic Paints



Polar Silver

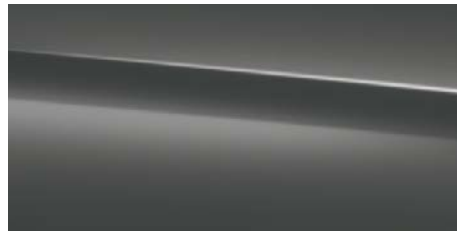
Upholstery



ARTICO man-made leather in sahra beige



Cirrus White



Mountain Grey



ARTICO man-made leather in black

Trim and alloy

Trim



Line pattern

Alloy



10-spoke light-alloy wheels, 40.6 cm



Service

The luxurious experience of driving a Mercedes-Benz is converted into a fulfilling ownership experience with a range of exclusive services and special programmes. **For the New Generation Cars, the ownership experience starts at Rs. 1.99/ kilometre.**

Cost of Ownership

There has been a paradigm shift in the buying preferences of Indian consumers over the years, even for the luxury products. The purchase decision not only dwells around cost of acquisition but also the total 'Cost of Ownership' (COO). The ownership experience for the New Generation **Cars starts at Rs. 1.99/ kilometre.** Amongst the key components of COO in cars are the routine service jobs and the unplanned repair expenses post the warranty period. We offer highly affordable service package with

warranty programmes which includes **2 years standard warranty plus 1 year complimentary warranty** under the Star Care programme and a **1 year extended warranty under the Star Care plus programme.** Which means a total of 4 years warranty with absolutely no mileage restrictions. All in all, we provide you with a controlled Cost of Ownership while you benefit from the legendary Mercedes-Benz service quality.

STAR CARE

Experience complete peace of mind when you drive the Star. STAR CARE programme offers peace of mind drive for you during warranty period and beyond. While our cars are covered for warrantable repairs up to 3 years without any mileage limitations, as standard, you can also buy STAR CARE Plus programme, offering 4th year extended warranty. Additionally, the programme enhances the resale value of your car.



Extended Warranty that guarantees complete peace of mind

STAR EASE

STAR EASE Service Package gives you the freedom to relax behind the wheel and puts your mind at ease with its range of unique benefits such as defined cost of maintenance and priority handling. STAR EASE Comprehensive package covers essential jobs related to periodic service (viz. oil, filters, consumables, etc.) along with coverage for brake pads, brake discs, wiper blades and wheel alignment & balancing, for a contracted period. For further details on products and pricing, please contact your nearest Mercedes-Benz dealer.



The maintenance of your Star is just as peaceful as driving it

On-Road Assistance Programme

Mercedes-Benz is the only luxury car manufacturer to offer round-the-clock On-Road Assistance for **3 years** from purchase of vehicle as a **standard offering**. Some of the special privileges include pick-up from the breakdown location, medical co-ordination in case of accidents and free hotel accommodation in case of vehicle immobilization*. The best guaranteed, always.

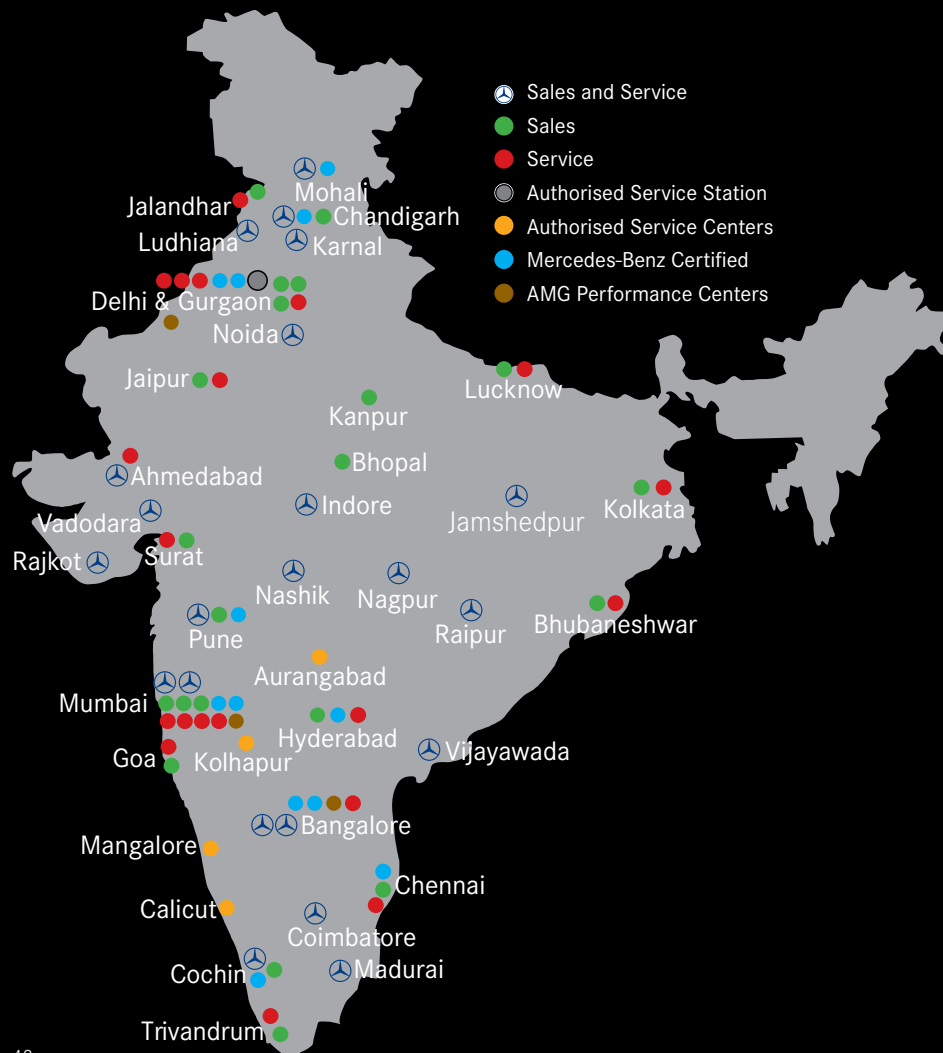


Always at your service

Conditions apply.

India's Largest Luxury Car Network

It takes a keen sense of responsibility to provide the best in service – our large network is spread across the country in 38 cities with 102 touchpoints and is still growing. With world-class showrooms, state-of-the-art workshops and highly skilled personnel, experience the best wherever you go.



SALES & SERVICE:

NORTH & EAST:

DELHI: T & T Motors:
Mohan Co-operative, Mathura Road:
011-66574300-330;
Rajouri Garden: 011-66574400-430;
Gurgaon: 0124-4263060-62;
Jaipur: 0141-4300000-05.

NOIDA: Silver Arrows: 0-9999200500.

PUNJAB & CHANDIGARH:

Joshi Autozone: Jalandhar: 0181-5004444;
Ludhiana: 0161-5055000;
Chandigarh: 0172-5050500;
Panjab Motors: Mohali: 0172-4290000;
Chandigarh: 0172-4290000.

KARNAL: Berkeley Motors: 0184-3300000.

LUCKNOW: Smart Hoops: 0522-6004008/9.

KANPUR: Smart Hoops: 0-8795663300.

KOLKATA: Benchmark Interkrafts:
1800-3000-3310.

BHUBANESWAR: Tristar Motors:
0-7852944100.

Jamshedpur: Tristar Motors:
0-7763815720 / 0657-6601601/02

WEST:

MUMBAI: Auto Hangar: Prabhadevi:
022-67434362/63;
Andheri: 022-67106660/61;

Metro Motors Auto Hangar division
(Hughes Road): 022-66123500/11;
Shaman Wheels: Off BKC: 022-24228787;
Navi Mumbai: 022-24228787.

NAGPUR: Auto Hangar: 07104-238180,
0-9223540191.

RAIPUR: Auto Hangar: 0771-6537801,
0-8518887155.

PUNE: B. U. Bhandari: 020-67212121.

Pune City Showroom: 020-67212131.

NASHIK: Indisch Motoren: 0253-6645555.

GOA: Counto Motors: 0-8322415122.

Benchmark Cars:

AHMEDABAD: 0-9377662000;
SURAT: 0-9377660066;
VADODARA: 0-9377390001;
INDORE: 1800-3000-8844;
RAJKOT: 0-9377750050;
BHOPAL: 0-9098233233.

SOUTH:

CHENNAI: Trans Car: 044-33570000.

BANGALORE:

Sundaram Motors: 080-22070720/21;
Akshaya Motors: 080-22966300.

MADURAI:

Sundaram Motors: 0452-2320433,
0-9500966946.

COIMBATORE:

Sundaram Motors: 0422-2452020.

COCHIN: Rajasree Motors:

0484-2706332/2706432/2706134,
2607027/37/47.

TRIVANDRUM: Rajasree Motors:

0471-2380377/ 0-9846547551.

HYDERABAD: Mahavir Motors:

040-43403004.

VIJAYAWADA: Mahavir Motors:

0866-2082559, 0-9885303004.

AUTHORISED SERVICE STATION:**DELHI: Patel Auto Services: Rajendra Place:**

011-47626262, 0-9810081048.

AUTHORISED SERVICE CENTERS:**WEST:****AURANGABAD: B. U. Bhandari:**

0240-6452601 / 02, 0-8605121333.

KOLHAPUR: B. U. Bhandari:

0230-3290466, 0-9423041015.

SOUTH:**MANGALORE: Sundaram Motors:**

0-8242275779, 0-9900236284.

CALICUT: Rajasree Motors:

0495-2767155, 0-9846144304.

MERCEDES-BENZ CERTIFIED:**BANGALORE: Sundaram Motors:**

080-22070746, 0-9880662051;

Akshaya Motors: 0-9591992907

CHANDIGARH: Joshi Autozone:

0172-5050500 /510

CHENNAI: Transcar: 0-9841049994**HYDERABAD: Adishwar: 0-7799633004****KOCHI: Rajasree Motors: 0-9846547311****DELHI: T&T Motors Ltd.: Mathura Road:**

0-9711774424, West Delhi: 9711112243

MOHALI: Panjab Motors: 0-9878467800,

0172-4290000

MUMBAI: Autohangar India: 0-9223546204;

Shaman Wheels: 0-9619023450,

0-9167582287, 022-69543333

PUNE: B U Bhandari: 020-67212121**AMG PERFORMANCE CENTERS:****BENGALURU: Sundaram Motors:**

080-22070720/21

MUMBAI: Auto Hangar (I) Pvt. Ltd:

022-66123822

DELHI: T&T Motors: 011-66574300

Our national toll-free no.: 1800 102 9222 | One Call. All Answers.

Mercedes-Benz India Private Limited: E-3, MIDC Chakan - Phase III, Chakan Industrial Area, Kuruli & Nighoje, Tal: Khed, Pune - 410 501 (India)
Toll free No.: 1800 102 9222. e-mail: customerconnect@daimler.com, website: www.mercedes-benz.co.in

Please note: This brochure is intended for general information, description and illustration of the Product including optional functions and equipment and may not be specific to a Product since specification of a product may change from time to time. Optional features, functions and equipment etc. may not be present in the Standard or Variant Product or Special Edition Product. Further, Standard specifications of a product may also vary from time to time. Colours may differ from those shown in pictures in the brochure, owing to printing. Mercedes-Benz India reserves the right to make changes, at any point of time, without prior notice, in design, colours, materials, components, equipment, specifications, features, functions, make and models etc. The information given in this brochure shall be regarded as accurate at the time of going to print and may vary thereafter due to any developments or any other reason. Interested parties should confirm with the Authorised Dealer about the correct specification of the product they desire to purchase. For the latest authentic information and updates, kindly contact your nearest Authorised Dealer.

All title, ownership rights and intellectual property rights in and relating to this brochure / magazine or publication material or any copies thereof including but not limited to copyright, logos, names, trademarks, service marks, design, text, images, links, concepts and themes are owned by Daimler AG and/or its subsidiaries collectively or used under authorized license by the Daimler AG. Any reproduction, transmission, publication, performance, broadcast, alteration, license, creation of derivative works or other use in whole or in part in any manner without the prior written consent of the Daimler AG is strictly prohibited.

Month of going to press: February, 2015. Mercedes-Benz cars: The New B-Class meets Bharat Stage IV equivalent emission norms.

CIN - U34102PN1994PTC083160