

# The new CLA.



Mercedes-Benz





# Word has it that there's only one thing that travels faster than it. Its reputation.

Chances are, you have already heard about the new CLA. And chances are, it sounded unbelievable. But take one look at this beauty of a beast, and the word on the street begins to make sense. From its impeccable performance, to its aerodynamics and its groundbreaking design philosophy, you realize almost instantly that this car is unlike any other. Just like the rumours around it.

- 12 | Engines
- 14 | Transmission
- 15 | Chassis and suspension
- 16 | Multimedia systems
- 18 | New CLA 200 & 200 d Sport - Exterior
- 20 | New CLA 200 & 200 d Sport - Interior
- 22 | New CLA 200 d Style
- 24 | Standard equipment
- 28 | The reassuring feeling of driving a Mercedes-Benz
- 29 | Genuine Accessories
- 38 | Integral safety concept
- 39 | Upholstery and trim - The new CLA
- 40 | Paintwork and alloys - The new CLA
- 42 | Dimensions
- 43 | Technical data
- 44 | Service
- 46 | Dealer Network



## The new CLA: Challenge the norm

The moment you cast your eyes on the CLA, it breaks your resistance. Its flowing lines give visual expression to its exemplary aerodynamics like no other. Its drag co-efficient sets new standards for series-production vehicles.





Takes a strong line.



Radical change requires energy. In the new CLA, highly concentrated engine technology extracts maximum power from the line-up of four-cylinder units. A standard-fit 7-speed dual clutch transmission delivers this output straight to the road.





The interior also exerts a powerful fascination. Thanks to the integral look sports seats which are standard in both the front and the rear. The design of the air nozzles recalls the form of a jet engine.







The diamond radiator grille with pins in high-gloss black, silver-painted louvre and chrome inserts makes a similarly dominant statement.





## Statement of intent.

A dramatic silhouette subdivided by three prominent character lines gives the new CLA its masculine aura. A two-pipe exhaust system completes the dynamic ensemble.





# Diesel engine.

Powerful, efficient and clean: the latest Mercedes-Benz diesel technology in the new CLA. The engine impresses by delivering high pulling power and performance with low emission and fuel consumption figures.

The 4-cylinder in-line diesel engine with common rail direct injection gives our customers the freedom to explore places around them without worrying about the running costs.

In order to keep the engine weight as low as possible, the engine is fitted with a crankshaft with four counterweights and a crankcase bearing with individual bearing caps.

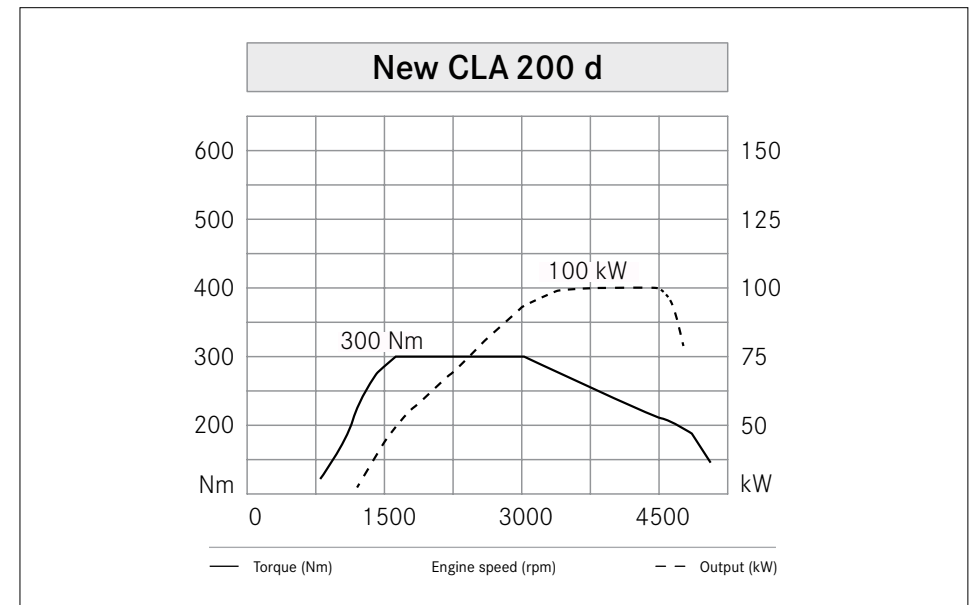
The new CLA 200 d has a power output of 100 kW (136 hp) and maximum torque of 300 Nm. As the fourth generation of common-rail diesel technology, the engines boast an injection pressure increased to 1800 bar, optimised combustion chambers plus precise solenoid injectors. The high ignition pressure and a turbocharger with a variable nozzle turbine ensure an effortlessly superior torque curve and corresponding pulling power in every engine speed range.

Further efficiency measures: The diesel drive systems are equipped with the ECO start/stop function which switches off the engine temporarily when the vehicle is stationary.

Even greater driving efficiency can be achieved with the help of the standard-fit ECO display which indicates how economically the vehicle is being driven at any given moment.

This information can be used to help the driver adopt a driving style which provides for optimum fuel consumption in the current driving situation.

**Note :** Not conducive for driving in water-logged roads with still water depth more than 25 cm.



The new CLA 200 d attains its maximum torque of 300 Nm from just 1600 rpm.



# Petrol engine.

Setting the standard: the petrol engine in the new CLA combines, dynamic power delivery and effortlessly superior ride comfort with low fuel consumption and exemplary emission characteristics.

The new CLA petrol engine is the best choice for people who want to experience explicit driving performance with phenomenal top speed and acceleration. The 4-cylinder petrol engine in the new CLA 200 features homogeneous direct injection, piezo injectors and turbocharging with a displacement of 1991 cc.

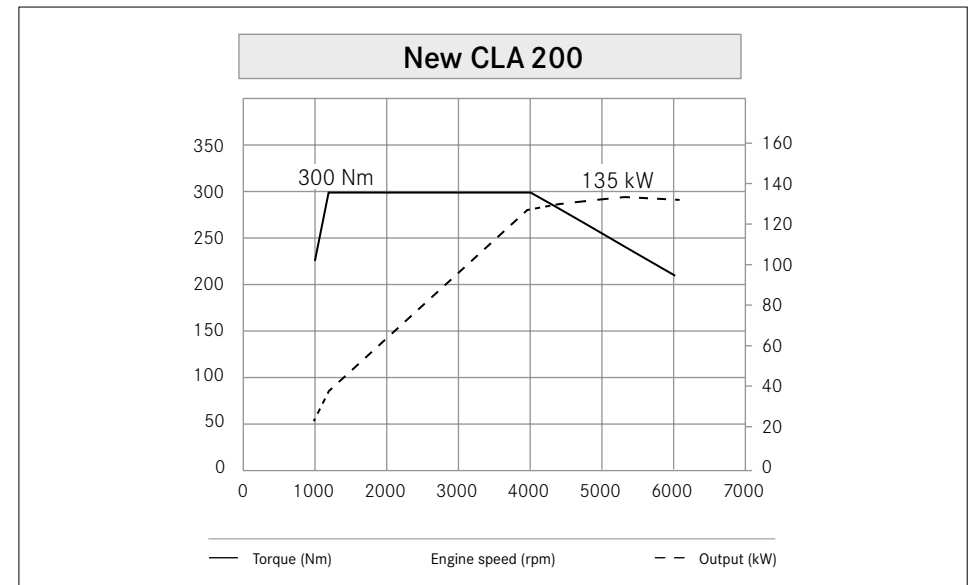
The 4-cylinder petrol engine of new CLA 200 comes with 135 kW (183 hp) and a maximum torque of 300 Nm. This engine is extremely low on emissions.

The combination of the third-generation Mercedes-Benz high-pressure direct injection system with precise piezo injectors and the enhanced spray-guided combustion process facilitates virtually total combustion and thus allows the fuel to be used particularly efficiently. The variable valve control results in an optimum cylinder charge level which has a beneficial effect on fuel

consumption, as do the lower weight, reduced internal friction and ancillaries controlled on an on-demand basis. Turbocharging makes for enhanced responsiveness and higher torque in every engine speed range.

**Further efficiency measures.** The standard ECO start/stop function also enhances the economic efficiency of the engine. Furthermore, the standard-fit ECO display provides feedback about how efficiently the car is being driven. On the basis of this information, the driver can adjust his or her driving style in order to attain the optimum fuel consumption in the current driving situation.

**Note :** Not conducive for driving in water-logged roads with still water depth more than 25 cm.

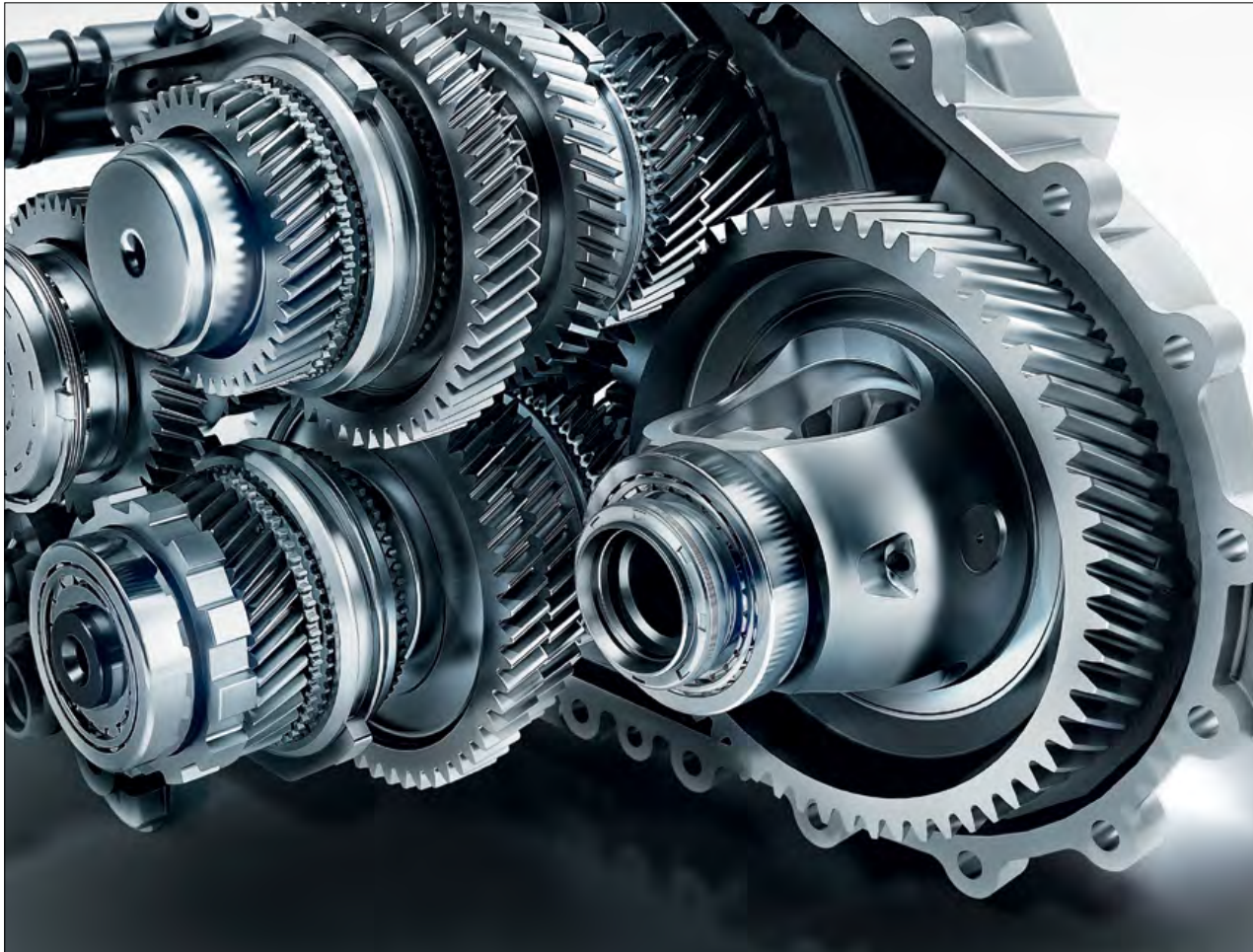


The new CLA 200 delivers a peak torque of 300 Nm from just 1200 rpm.



# Transmission.

Power generation is only part of the story. The new CLA also excels when it comes to putting it down on the road.



**7-speed dual clutch transmission 7G-DCT.** The dual clutch transmission combines the comfort of a 7-speed automatic transmission with the driving dynamics of a manual transmission. The 7G-DCT consists of two sub-transmissions, one of which transfers the tractive power to the wheels while the other is preselecting the next gear. This leads to fast, smooth gear changing without any interruptions in tractive power and results in improved acceleration.

The shift characteristics can be pre-set from fuel-saving to sporty via the "Economy", "Sport" and "Manual" transmission modes. When kick down is used in "Sport" mode the electronic controller skips individual gears instead of changing down through each individual gear. This enables faster sprints. In "Manual" mode, drivers with sporty inclinations can change gear manually using the steering wheel gearshift paddle.

The seven-speed dual clutch transmission 7G-DCT enables gear shifting without any interruption in tractive power.



# Chassis and suspension.

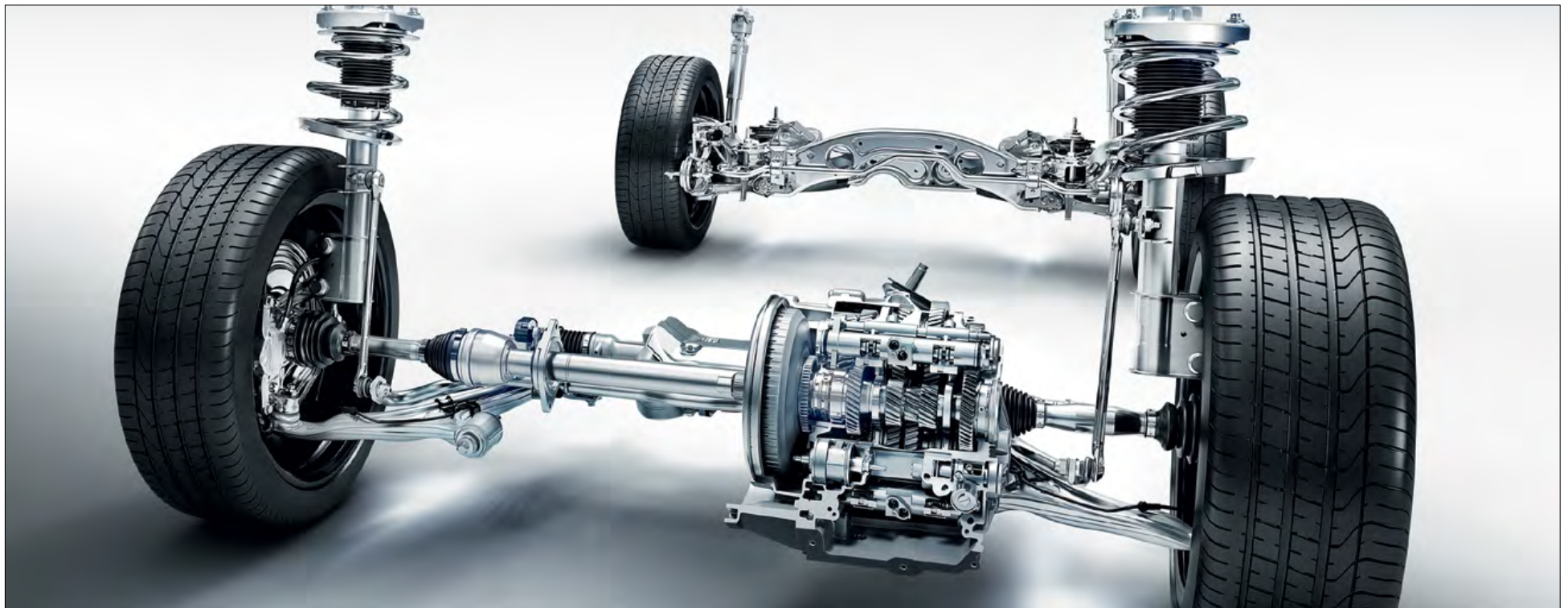
Driving pleasure and dynamic handling to meet your requirements: the new CLA is set up with a suspension, designed for a comfortable yet agile drive.

**Comfort suspension.** An enhanced McPherson strut front axle and the all-new four-link rear axle ensure a harmonious combination of ride comfort and agility.

**ESP® Dynamic Cornering Assist.** This system is designed to provide enhanced roadholding during fast cornering. If the

standard-fit ESP® sensors register a tendency to understeer whilst the driver is accelerating in a bend, the stability program generates a selective brake actuation at the driven front wheel on the inside of the corner. This causes a slight rotational movement of the vehicle about the vertical axis, the effect

being that not only does the vehicle corner more precisely and more controllably; through the reduced risk of understeering it also offers added active handling safety.



The new CLA is available with a suspension set up to provide a combination of sportiness and agility.

\*Please read the disclaimer.



# Multimedia systems.

The new CLA offers a full range of mobile entertainment technology with the Audio 20.

## AUDIO 20 CD INCLUDING PRE-INSTALLATION FOR GARMIN® MAP PILOT

This system can improve driving safety, especially on long journeys and at night. ATTENTION ASSIST monitors the steering behavior of the driver to recognise typical signs of drowsiness and severe loss of attention and gives a visual and audible warning of impending microsleep.

### Features of Audio 20 CD

Multimedia system with radio, twin tuner, CD drive

High-resolution media display

2 USB ports and 1 SD card slot in the centre console

Garmin® MAP PILOT (Optional)

Integrated Media Interface port for iPod® or iPhone®

Bluetooth® interface with hands-free function and audio streaming for playing music files

Transfer of addresses from mobile phone to head unit

Cover Flow and Cover Art: Display of album covers in audio menu



Audio 20 CD



Garmin® MAP PILOT (Optional)



## SMARTPHONE INTEGRATION PACKAGE

With this entirely new feature compatible smartphones with the corresponding operating system can be integrated into the vehicle and operate them by voice control, using Apple CarPlay™ and Android Auto. The system supports the major applications. Operation is carried out using the controller in the centre console.

### Components of the Smartphone Integration Package:

- Supported systems
- Apple CarPlay™
- Android Auto
- Cable kit
- Connection cable with micro USB
- Connection cable with Apple® Lightning connector



Smartphone Integration Package







# The new CLA 200 & 200 d Sport - Exterior

The moment you cast your eyes on the new CLA, it breaks your resistance. Its flowing lines give visual expression to its exemplary aerodynamics like no other. Its drag co-efficient sets new standards for series-production vehicles. The tone in the CLA is set by the black radiator grille with a silver-coloured louvre and chrome highlights. The roof line and high beltline are given additional emphasis by the standard.

---

LED High Performance headlamps

---

Tail lights in LED technology

---

Diamond radiator grille with pins in high-gloss black

---

Silver-painted louvre and chrome inserts

---

Newly designed air scoops

---

Rear bumper with insert in black plastic with chrome trim

---

Twin-pipe exhaust system with rectangular, chromed tailpipes

---

43.2 cm (17 inch) 5-spoke alloy wheels painted in tremolite grey with high-sheen finish

---

MIRROR PACKAGE

---

Reversing Camera

---

Panoramic sliding sunroof

---









# The new CLA 200 & 200 d Sport - Interior

Avantgarde design and exceptional details: the new CLA impresses with design and comfort features rich in unconventional ideas and characterised by great attention to detail. The interior also exerts a powerful fascination. Thanks to the integral look sports seats which are standard in both the front and the rear. The design of the air nozzles recalls the form of a jet engine.

---

3-spoke multifunction steering wheel in black leather with perforated grip area, contrasting top-stitching in crystal grey and inserts in silver chrome on the bottom spoke

---

Steering wheel with gear shift paddles

---

Sail-pattern trim

---

Sports seats upholstered in black or sahara beige

---

ARTICO leather upholstery with top-stitching

---

Armrest on centre console with fore-and-aft adjustment and contrasting top-stitching and large stowage compartment

---

Electrically adjustable driver and passenger's seat with Memory Package

---

Audio 20 CD including pre-installation for Garmin® MAP PILOT

---

High-resolution 20.3 cm (8 inches) colour display

---

Keyless-GO Starting Function

---

ECO start/stop function

---

Smartphone Integration Package comprising of Apple CarPlay™ and Android Auto

---









# The new CLA 200 d Style

Exterior	Interior
LED High Performance headlamps	ARTICO / fabric upholstery
LED taillights	Sports seats with topstitching
40.6 cm (16-inch) 10-spoke light-alloy wheels	Armrest in front with large stowage compartment
Rear bumper with plastic insert in black non-visible exhaust system	Electrically adjustable driver's seat with Memory Package
Comfort suspension for higher ground clearance	Honeycomb-look trim
Reversing Camera	3-spoke multifunction leather steering wheel with 12 function keys
ADAPTIVE BRAKE with Hill-Start Assist, priming and brake drying in the wet	Steering wheel gear shift paddles
Electronic Stability Program (ESP®) with Acceleration skid control (ASR)	Audio 20 CD Multimedia system with high-resolution 17.8 cm (7 inch) colour display
	Pre-installation for Garmin® MAP PILOT navigation system
	ECO start/stop function
	Door sill panels with 'Mercedes-Benz' lettering
	ATTENTION ASSIST



## Standard equipment.

The new CLA combines an expressive character with a sporty, contemporary design.

### LED High Performance headlamps – more lighting power, lower energy consumption

In addition to the striking look, the LED High Performance headlamps provide more safety at night thanks to a broad light distribution, a light colour similar to daylight and low energy consumption. Also in daytime, the clearly defined contours and high-quality detailing ensure an unmistakable front view. When unlocking the vehicle, the “Coming Home” function welcomes the driver with an exceptional light display. The fibre-optic daytime running lamps first light up blue, then change colour via a smooth transition to bright white.

### Tail lights – distinctive design, high level of discernibility

The tail lights feature LED technology and create a visual highlight while improving visibility. The brightness of the brake lights and turn indicators varies depending on the light conditions to avoid dazzling other road users.

#### Features of the LED tail lights:

In the centre section from inside to outside:

- Rear fog light
- Reversing light
- Indicators
- Positioned above and below: tail lamp
- At the very top: LED brake light





# Standard equipment.

**3-spoke leather steering wheel with chrome inserts (SPORT);  
3-spoke leather steering wheel (STYLE)**

The 12 ergonomic function keys on the left of the multifunction steering wheel in leather operate the display menus in the instrument cluster. On the right, the driver can control the volume of audio devices, telephone and navigation system.

**Instrument cluster in 2-tube design with colour TFT multifunction display**

With two large round dials and a central colour multifunction display with 11.4 cm (4.5-inch) screen diagonal, the instrument cluster presents all key items of information within the driver's field of vision. The colour multifunction display shows the time and outside temperature at the top, while the centre section is occupied by the trip mileage counter, travel information and the ECO display and the bottom section presents the symbols of the driving assistance systems, the currently engaged gear in conjunction with the 7G-DCT dual clutch transmission and the current DYNAMIC SELECT transmission mode.





## Standard equipment.

### **Panoramic sliding sunroof (Only for Sport)**

With its large glazed area, the panoramic sliding sunroof ensures a particularly bright and welcoming ambience in the interior. It comprises an electrically operated glass sliding roof for individual ventilation of the interior and a mesh wind deflector. This reduces draughts and wind noise when the roof is open. In addition, in bright sunlight an electric roller sunblind provides passengers with shade. The panoramic sliding sunroof has numerous useful functions for a high level of travelling comfort. In the raised position, the glass roof automatically adjusts in three stages to suit the current vehicle speed. The glass roof is lowered at high speeds, reducing the noise level and air circulation in the interior. Conversely, it raises itself again at low speeds.



### **KEYLESS-GO starting function**

This system can be used to start the vehicle simply by carrying the electronic key, which is programmed with all access and drive authorisation functions. All the driver has to do is to depress the brake pedal and press the ignition start/stop key once.





# Standard equipment.

## Memory package

The electrically adjustable driver's seat enables convenient and individual adjustment of the seat position. The memory function allows up to three positions to be stored for the seat and the exterior mirrors, for subsequent selection as required. This is particularly practical in case of frequent changes of driver. Adjustment is carried out intuitively via switches on the door control panel on the driver's side. The memory programming includes all seat adjustment functions such as seat height and fore-and-aft position, seat cushion angle and backrest angle. For a better view when reversing into parking spaces, the exterior mirror on the front passenger side can be automatically lowered when reverse gear is engaged.



## Reversing Camera

Reverse parking and maneuvering is made much easier and safer by the reversing camera. It is switched on automatically when the driver selects reverse gear, and shows the driver the area behind the vehicle with dynamic guidelines on the CENTRAL MEDIA DISPLAY. The stationary and moving objects are marked in the camera image.





# The reassuring feeling of driving a Mercedes-Benz

We are the first automotive manufacturer worldwide to have developed an integral safety concept. aimed at avoiding accidents, ensuring ideal responses to dangers and lessening the consequences of accidents. For the occupants of a Mercedes and for all other road users, too.

## Safe driving

The **drowsiness detection system ATTENTION ASSIST** can enhance driving safety, in particular on long trips and during night-time driving. It can monitor the steering behaviour of the driver to recognise typical signs of drowsiness and severe loss of attention, and give a visual and acoustic warning of impending microsleep.

The **ADAPTIVE BRAKE** control system improves braking performance through intelligent intervention: in wet conditions, the brake discs are kept dry. The brake pads are applied automatically when the driver's foot is removed abruptly from the accelerator pedal. And on uphill slopes, the system is able to prevent the vehicle from rolling backwards.

## In the event of danger

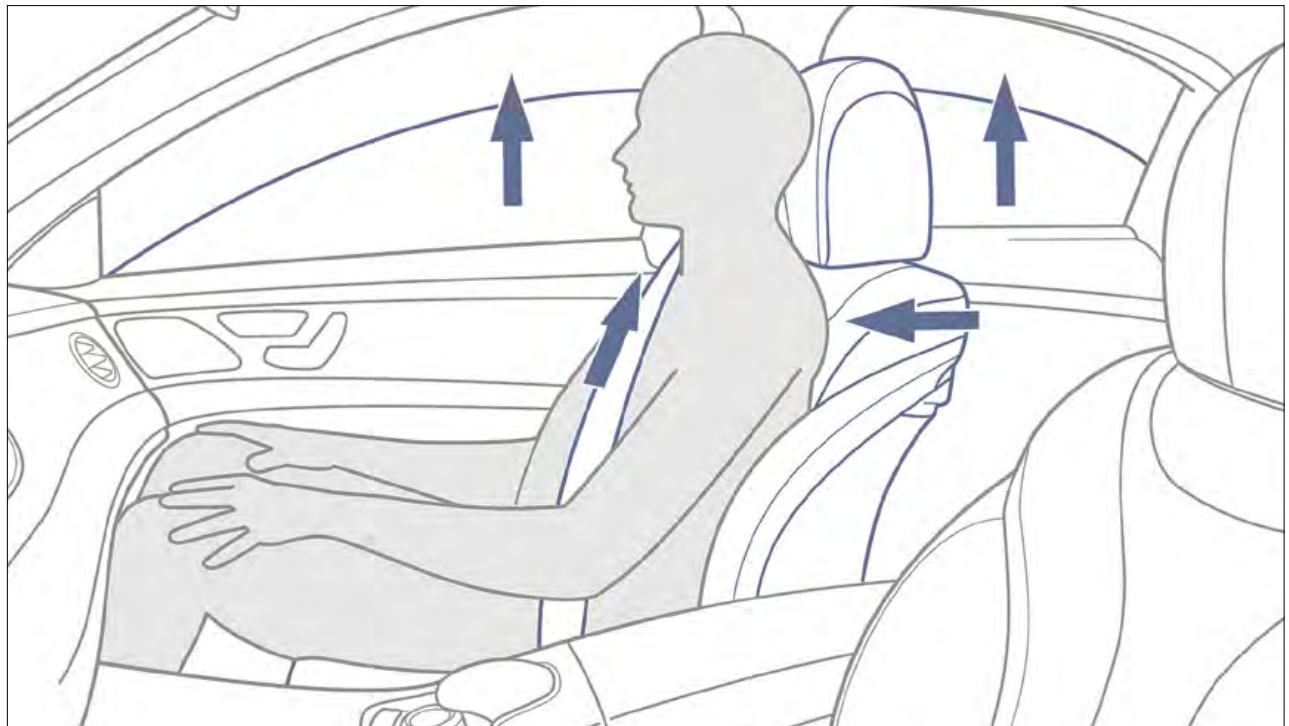
The **PRE-SAFE® occupant protection system** is able to identify critical driving situations in advance and to initiate precautionary measures to protect the vehicle's occupants if an accident appears imminent. Such measures include reversible belt tensioning or automatic closing of open side windows, for example.

## In an accident

A comprehensive protection system can reduce the risk of injury for occupants and other road users. The car occupants can also be extensively protected by up to **seven airbags** including driver knee-bag.

## After an accident

Every Mercedes-Benz is optimally trained in first aid. If the worst comes to the worst, the engine can be switched off automatically and the central locking unlocked, plus the hazard warning lights and emergency interior lighting can be activated.



PRE-SAFE®



# Genuine Accessories.

## Rear spoiler, Carbon-Style

Mercedes-Benz Sport Equipment rear spoiler in realistic Carbon-Style significantly improves aerodynamics. Harmoniously tailored to the contours of the vehicle for a sporty design. The individual, dynamic 3D effect underlines the character of the vehicle.



## Rear spoiler, primed

Discreet spoiler, fitted to the boot lid, subtly accentuating the rear contours. A high-quality primed finish allows the product to be painted in required colour. Highly durable thanks to precision-fit, dimensionally stable polyurethane.



## Styling package black

Consisting of black shoulderline trim strips and black window surrounds.





# Genuine Accessories.

## Exterior mirror cover, Carbon-Style

Mercedes-Benz Sport Equipment exterior mirror covers in realistic Carbon-Style with individual, dynamic 3D effect for a sporty look.



## Illuminated Star

Let your Star shine. Thanks to fibre-optic cables and LED technology, the central star emblem in your Mercedes' radiator grille lights up when you remotely lock/unlock the vehicle or open the door or tailgate. Only functions when engine is switched off.



## Mercedes-Benz Sports Decal kit

Both sets of decals (Road & Track) lend your vehicle a sporty look and underline its expressive design. The multi-piece "Road" decal kit features a motor racing-based chequered flag design. It can be combined with the "Track" decal kit, consisting of the starting number 1 and a Mercedes-Benz Sport Equipment windscreen strip, for racing purposes. Not valid for CLA model variant with panoramic sliding sunroof.





# Genuine Accessories.

## Mud flaps

The mud flaps protect the sides, rear and underbody of the vehicle from scratches and damage from loose chippings. They also help protect following traffic from loose chippings, splash water and dirt. And they minimise spray. Precision-tailored to the contours of the vehicle – do not affect the vehicle's sporty looks. Material: extremely hard-wearing, durable, UV-resistant.



## Sports pedals in brushed stainless steel

High-quality appearance giving a refined, sporty look. Manufactured using high quality stainless steel with non-slip stud inlay. Extremely hardwearing and durable thanks to optimum selection of materials and safety-tested to Mercedes-Benz's very high standards.



## Garmin® MAP PILOT, Navigation SD Card

User-friendly navigation and excellent route guidance – the Garmin® MAP PILOT navigation system brings all the benefits to the Audio system. The maps have a Garmin look and feel and appear in high resolution and in colour on the multimedia system's large display, with additional navigation information in the instrument cluster.



# Genuine Accessories.

## Concertina load sill protector, black

Protects the rear of the vehicle from scratches when you're loading the vehicle – and prevents dirt from the car from getting onto your clothes. Practical design – can be secured to shallow boot tub or reversible mat.



## Stowage crate, black

A secure hold for items which are prone to tip over or slide around, e.g. shopping bags. Adjustable partitioning elements allow crate to be divided into max. four sections. Optimum functionality only in conjunction with shallow boot tub.



## Tie-down strap, black

During your journey, the tie-down strap prevents damage to the cargo and also prevents the occupants from being assailed by flying objects when the vehicle is braked.

This item will quickly prove itself to be indispensable. And you'll be impressed every time at how easy it is to use. Always secure. Always at hand.





# Genuine Accessories.

## Luggage-securing feature, black

Ingenious solution to the problem of luggage sliding around in the load compartment. Attaches securely around the object in question thanks to Velcro fastening.



## Reversible mat, black

One high-quality velour side and one rubberised, non-slip side. Design allows concertina load sill protector to be connected.



# Genuine Accessories.

## All-season floor mats

Robust, washable synthetic mats, designed for heavy use. Curved line design. With distinctive Mercedes-Benz star logo. Available in black.



## Rep floor mats

Durable, extremely hardwearing needle felt mats, featuring metal badge with Mercedes-Benz lettering. Available in black.



## Velour floor mats

Elegant, high-quality tufted velour mats, featuring metal badge with Mercedes-Benz lettering. Available in various colours to match your interior.





# Genuine Accessories.

Mercedes-Benz light-alloy wheels not only boost your vehicle's looks, they also offer the ultimate in safety. All wheels are precision-tailored to your vehicle in terms of load profile and dimensions. Before your light-alloy wheels are allowed to accompany you safely on your travels, they are subjected to an extensive development and testing programme. Each wheel design has to pass a variety of endurance tests, based on exacting Mercedes-Benz guidelines, all of which exceed statutory requirements. These include special test routines which simulate real challenges on the road and material tests in cutting-edge x-ray facilities. Only once all of the tests have been passed may the wheels be included in the range of genuine Mercedes-Benz light-alloy wheels. Add an individual touch to your vehicle with a tested and approved genuine Mercedes-Benz light-alloy wheel and head for the open road.



**5-twin-spoke wheel** - high-sheen, matt black Wheel: 6.5 J x 16 ET 49  
Tyre: 205/55/R16



**5-twin-spoke wheel** - champion silver Wheel: 6.5 J x 16 ET 49  
Tyre: 205/55/R16



**5-twin-spoke wheel** - black Wheel: 6.5 J x 16 ET 49 | Tyre: 205/55/R16



**5-twin-spoke wheel** - red rim flange, black Wheel: 7.5 J x 18 ET 52  
Tyre: 225/40/R18



**5-twin-spoke wheel** - high-sheen, himalaya grey, Wheel: 6.5 J x 16 ET 49  
Tyre: 225/45/R17

\*Please read the disclaimer.

# Genuine Accessories.



**5-twin-spoke wheel** - high-sheen, tremolite metallic, Wheel: 6.5 J x 16 ET 49  
Tyre: 225/45/R17



**5-twin-spoke wheel** - high-sheen rim flange, black, Wheel: 7.5 J x 18 ET 52  
Tyre: 225/40/R18



**5-triple-spoke wheel** - high-sheen, black Wheel: 7.5 J x 18 ET 52  
Tyre: 225/40/R18



**5-twin-spoke wheel** - high-sheen, black Wheel: 7.5 J x 18 ET 52  
Tyre: 225/40/R18



**5-twin-spoke wheel** - red rim flange, black Wheel: 7.5 J x 18 ET 52  
Tyre: 225/40/R18



# Genuine Accessories.

## Hub Caps

Mercedes-Benz hub caps provides a stylish finish for light-alloy wheels. It is not just attractive but practical too as the caps keep the hubs clean. There are plenty of options available to choose from various designs available to suit Mercedes-Benz vehicles.



## Valve caps, black

Chrome valve caps with a Mercedes-Benz star logo embossed on head, add a refined stylish finishing touch to all Mercedes-Benz light-alloy wheels.



## Coolbox

Not only cools but warms too. Cools to up to 20°C below ambient temperature – to max. -2°C. Can be switched to warming function. Robust, highly insulated hard case with fabric cover, outside pockets and padded shoulder strap. Capacity: 24 litres. Can be connected to 12 V socket in vehicle or to 230 V power source via separately available rectifier.



## Rectifier

Allows the coolbox to be connected to a 230 V socket at home.



# Integral safety concept.

We are driven by the vision of accident-free driving. Our integral safety concept takes us a step closer to achieving this. It is a comprehensive approach which paves the way for new, synergy-based technological solutions, a case in point being the “Intelligent Drive” system which combines comfort and safety.

## ATTENTION ASSIST

This system can improve driving safety, especially on long journeys and at night. ATTENTION ASSIST monitors the steering behavior of the driver to recognise typical signs of drowsiness and severe loss of attention and gives a visual and audible warning of impending microsleep.

## Headlamp Assist with automatic headlamp activation

Depending on the ambient light conditions, Headlamp Assist automatically switches the low-beam headlamps on or off. In fast-changing lighting conditions, for example when entering tunnels or multi-storey car parks the system is able to improve

driving safety and relieve driver stress.

## Anti-lock Brake System (ABS)

The anti-lock braking system (ABS) ensures greater handling safety by preventing wheel-locking especially during emergency braking. This helps the driver to keep the vehicle under control. Like for example, during evasive action or when braking on slippery road surfaces.

## Brake Assist System (BAS)

The system is able to recognise emergency braking by the driver and increase the brake pressure within fractions of

a second to shorten the braking distance. To do this, Brake Assist measures the speed of brake pedal operation.

## Adaptive Brake System

The braking system improves driving comfort and safety with the anti-lock braking system (ABS) as a base function. It helps the driver to master critical braking maneuvers more safely and also assists the driver with day-to-day convenience functions such as Hill-Start Assist.

## Electronic Stability Program (ESP®)

In dynamically critical driving situations the Electronic Stability Program (ESP®) can counter any tendency to skid. By applying specific braking action at individual wheels, ESP® reduces any tendency to over steer or understeer, thereby improving driving safety.

## Tyre Pressure Monitoring System (TPMS)

Continuous monitoring of the tyre pressures improves driving safety and increases the operating life of the tyres. The tyre pressure of all four wheels is monitored by sensors and indicated in the multifunction display of the instrument cluster.

## Hill Start Assist

Hill-Start Assist enhances comfort and safety and prevents the driver from rolling back in the opposite direction to the engaged gear as the driver moves his foot from brake to accelerator while moving up on uphill gradients.



If ATTENTION ASSIST detects signs of driver drowsiness it recommends taking a break.



# Integral safety concept.

## Acceleration Skid Control

Acceleration skid control (ASR) prevents individual wheels from spinning, when the vehicle is moving on and accelerating on snow, wet road surfaces or gravel. It prevents the vehicle from braking away sideways.

## Childproofing manually operated for the rear doors and electrically operated for rear power windows

To prevent children in the rear from opening the doors or side windows on their own, the rear doors can be secured mechanically and the power windows electrically. The doors can then only be opened from outside and the side windows can only be opened via the control buttons in the driver's door. In an event of crash, the doors unlock automatically and fuel supply shuts off.

## Lamp failure indicator

This feature provides reliable information when the bulbs of headlamps and tail lights fail.

## QR code stickers for post-accident rescue

The QR codes are attached to the fuel tank cap and opposite to the B-Pillar. Scanning the QR code displays the current rescue information for the respective vehicle model.

## Adaptive brake lights flashing

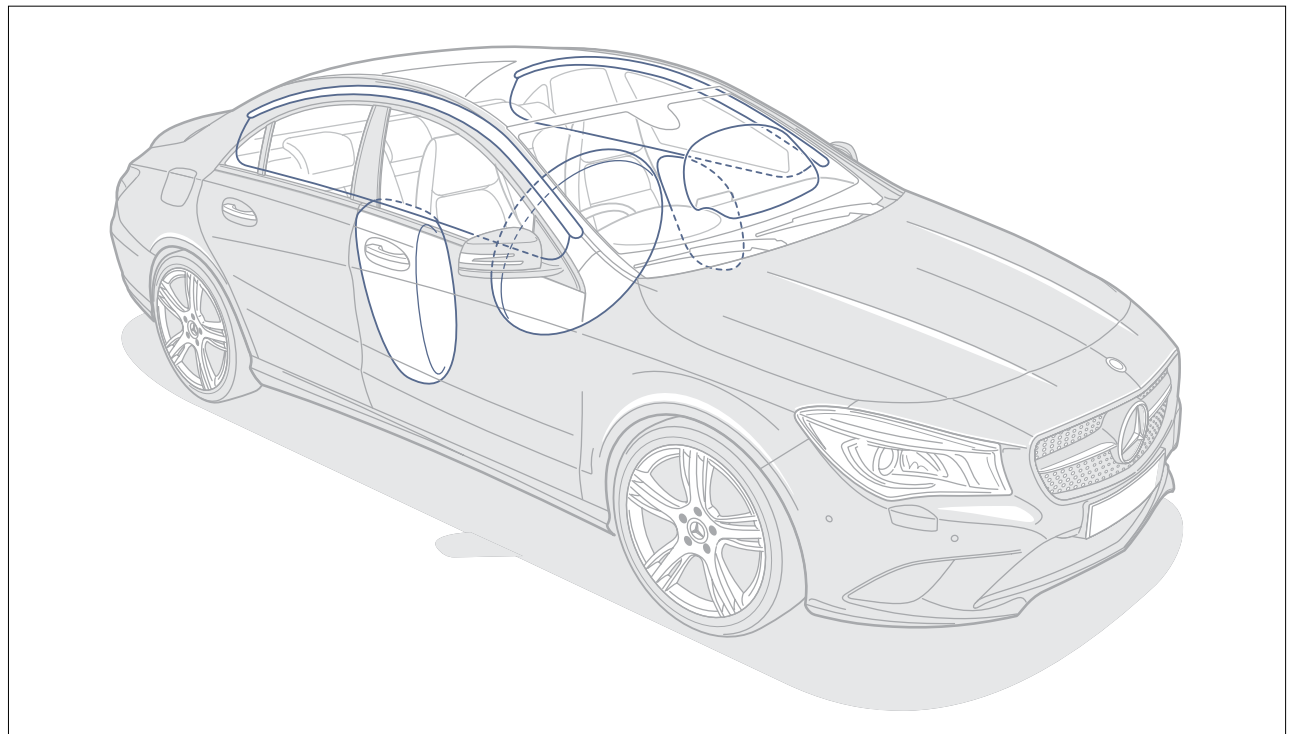
During emergency braking, flashing brake lights can help to reduce the reaction time of the driver behind significantly.

Adaptive LED brake lights therefore make an important contribution to the avoidance of rear-end collisions.

## Airbags

In addition to the robust bodyshell structure and the highly stable occupant cell, there are six standard-fit airbags to

provide the best protection possible for the occupants: the front airbags which are deployed in two stages, depending on the severity of the impact and accident characteristics, window bags between the A and C-pillars and sidebags for the driver and front passenger, which serve as thorax/pelvis bags.



Standard equipment includes 6 airbags over both rows of seats, driver and front passenger airbags, side airbags in the front and window bags.

# Upholstery and trim - The new CLA

---

## Upholstery

---

ARTICO leather / Coari fabric Black (STYLE)

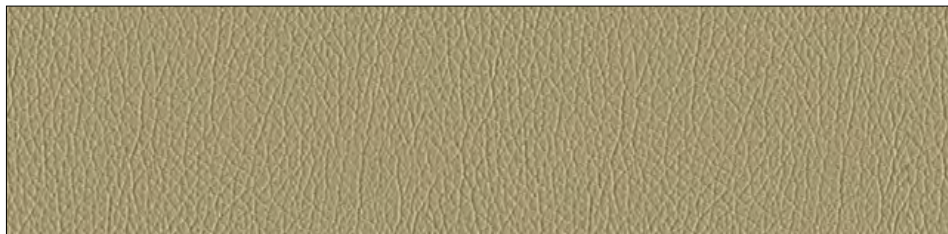
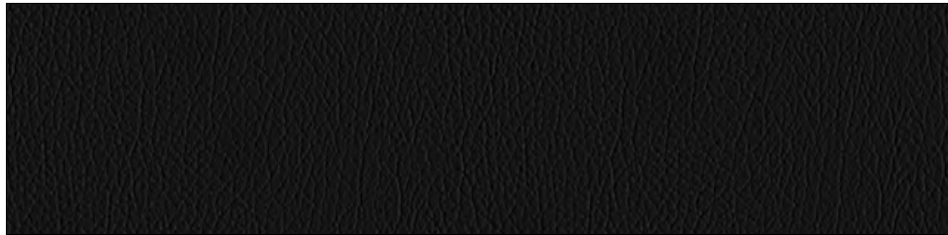
---

ARTICO Black (SPORT)

---

ARTICO Sahara Beige (SPORT)

---



---

## Trim

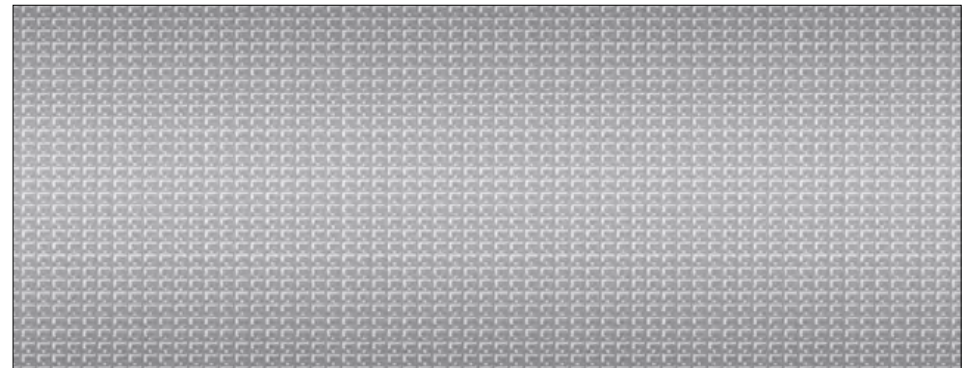
---

Honeycomb-look trim (STYLE)

---

Sail-pattern trim (SPORT)

---





# Paintwork and alloys - The new CLA

---

## Metallic Paints

---

Cirrus White

Jupiter Red

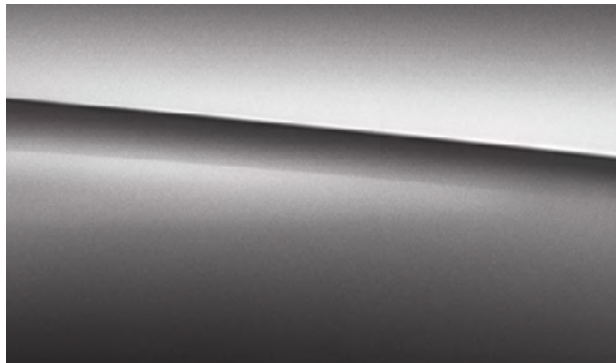
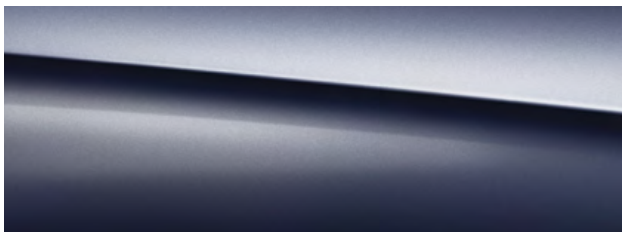
Cavansite Blue

---

Polar Silver

Mountain Grey

---



---

## Alloys

---

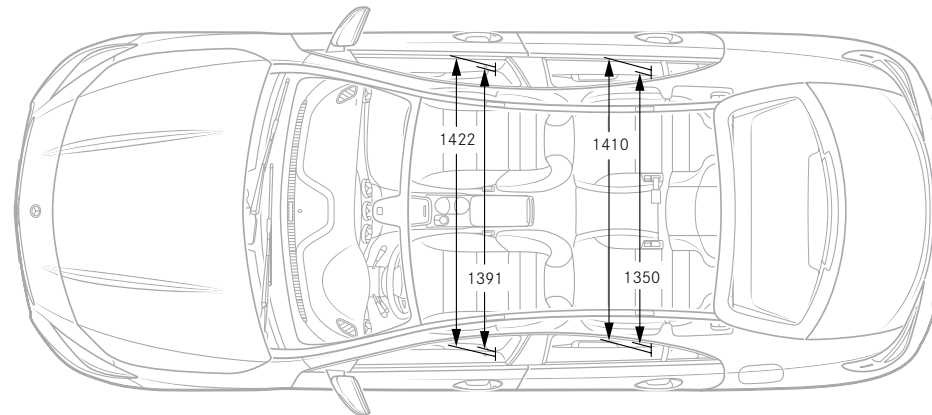
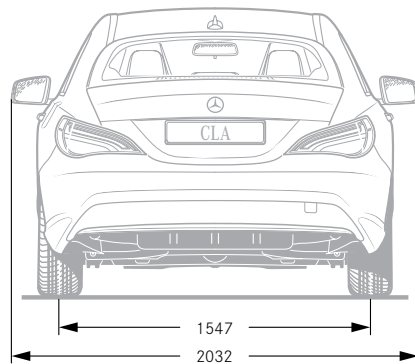
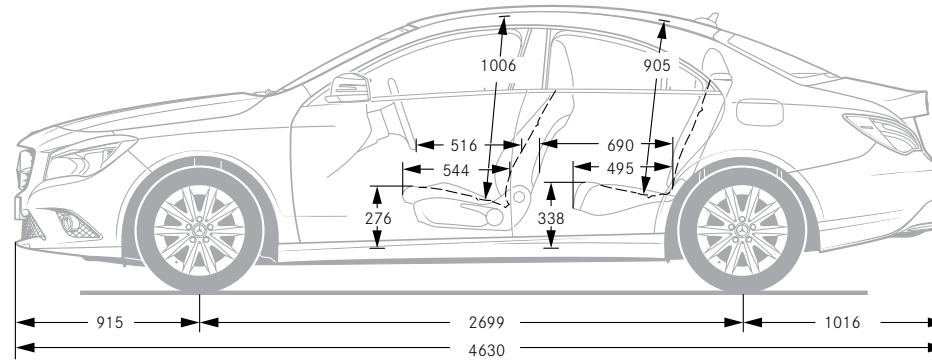
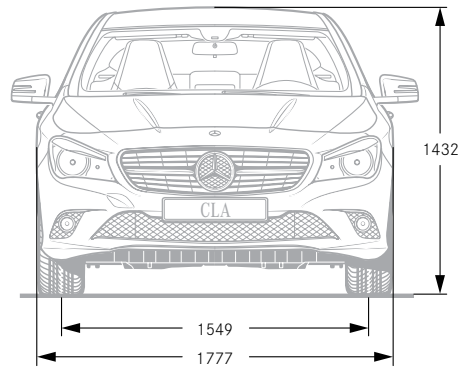
40.6 cm (R 16), 10-spoke light-alloy wheels (Style)

43.2 cm (R 17), 5-spoke light-alloy wheel (Sport)

---



# Dimensions



All measurements in millimetres. The dimensions shown are mean values and apply to standard-specification, unladen vehicles. The dimensions mentioned are for CLA.



# Technical data.

	CLA 200	CLA 200 d
Arrangement/no. of cylinders	Inline, 4	Inline, 4
Total displacement (cc)	1991	2143
Max. engine output [ kW (hp) @ rpm ]	135 (183) @ 5500	100 (136) @ 3600 - 4400
Max. torque (Nm @ rpm)	300 @ 1200 - 4000	300 @ 1600 - 3000
Approx. top speed (km/h)	235	220
Acceleration 0 - 100 kmph (s)	7.8	9.8
Tyres/wheels	225/45 R17	225/45 R17 and 205/55 R16
Transmission	7G-DCT	7G-DCT
Fuel type	Petrol	Diesel
Length (mm)	4630	4630
Width (mm)	1777	1777
Height (mm)	1432	1432
Wheelbase (mm)	2699	2699
Kerb weight (kg)	1510	1570
Perm. GVW (kg)	1955	2005
Luggage compartment capacity (l)	470	470
Turning circle diameter (m)	11.00	11.00

# Service

The luxurious experience of driving a Mercedes-Benz is converted into a fulfilling ownership experience with a range of exclusive services and special programmes.

## Cost of Ownership

There has been a paradigm shift in the buying preferences of Indian consumers over the years, even for the luxury products. The purchase decision not only dwells around cost of acquisition but also the total 'Cost of Ownership' (COO). Amongst the key components of COO in cars are the routine service jobs and the unplanned repair expenses post the warranty period. We are now offering highly-affordable Service Packages and Extended Warranty Programmes which are the most competitive packages in its class. All in all, we provide you with a controlled Cost of Ownership while you benefit from the legendary Mercedes-Benz service quality.

## Experience complete peace of mind when you drive the Star

**STAR CARE** programme offers you peace of mind during the warranty period and beyond. While our cars are covered for warrantable repairs up to 3 years without any mileage limitations, as standard, you can also buy the STAR CARE Plus programme, offering 4<sup>th</sup> year extended warranty. Additionally, the programme enhances the resale value of your car.

**STAR EASE** Service Package gives you the freedom to relax behind the wheel and puts your mind at ease with its range of unique benefits such as defined cost of maintenance and priority handling. STAR EASE Comprehensive package covers essential jobs related to periodic service (viz. oil, filters, consumables, etc.) along with coverage for brake pads, brake discs, wiper blades and wheel alignment & balancing, for a contracted period. For further details on products and pricing, please contact your nearest Mercedes-Benz dealer.

**On-Road Assistance Programme** As part of our ongoing commitment to you, Mercedes-Benz On-Road Assistance is designed to enhance your overall Mercedes-Benz ownership experience by providing you with 24-hour On-Road Assistance. Mercedes-Benz is the only Luxury car manufacturer to offer round-the-clock On-Road Assistance for 3 years from purchase of vehicle as a standard offering. Peace of mind motoring – guaranteed.



\*Please read the disclaimer.



Extended Warranty that guarantees complete peace of mind



The maintenance of your Star is just as peaceful as driving it



Always at your service

Conditions apply.



# India's Largest Luxury Car Network

It takes a keen sense of responsibility to provide the Best. Our large network is spread across the country in 40 cities with 86 outlets and is still growing. With world-class showrooms, state-of-the-art workshops and highly skilled personnel, experience the best wherever you go.



## DEALER CONTACT:

### NORTH & EAST:

**BHUBANESWAR:**  
Tristar Motors: 0-7852944100

**CHANDIGARH:**  
Joshi Autozone: 0172-5050500  
Panjab Motors: 0172-4290000

**DEHRADUN:**  
Berkeley Motors: 0135-3054000

**DELHI:**  
T & T Motors, Mohan Co-operative,  
Mathura Road: 011-66574300/330  
Rajouri Garden: 011-66574400/430

**GHAZIABAD:**  
Silver Arrows: 0-9718200500

**GURGAON:**  
T & T Motors: 0124-4263060/62

**JAIPUR:**  
T & T Motors: 0141-4300000/05

**JAMSHEDPUR:**  
Tristar Motors: 0-7763815720/  
0657-6601601/02

**JALANDHAR:**  
Joshi Autozone: 0181-5004444

**KANPUR:**  
Smart Hoops: 0-8795663300

**KARNAL:**  
Berkeley Motors: 0184-3300000

**KOLKATA:**  
Benchmark Interkrafts: 1800 3000 3310

**LUCKNOW:**  
Smart Hoops: 0522-6004008/9

**LUDHIANA:**  
Joshi Autozone: 0161-5055000

**MOHALI:**  
Panjab Motors: 0172-4290000

**NOIDA:**  
Silver Arrows: 0-9999200500

### WEST:

**AHMEDABAD:**  
Benchmark Cars: 0-9377662000

Emerald Motors: 0792-6446694/95

**AURANGABAD:**  
B. U. Bhandari: 0-8605121333/  
0240-6452601/02

**BHOPAL:**  
Benchmark Cars: 0-9098233233

**GOA:**  
Counto Motors: 0832-2415122

**INDORE:**  
Benchmark Cars: 1800-3000-8844

**KOLHAPUR:**  
B. U. Bhandari: 0231-2661422/  
0-8380093555

**MUMBAI:**  
Auto Hangar, Prabhadevi: 022-67434362/63

Auto Hangar, Andheri: 022-67106660/61  
Metro Motors, Auto Hangar division  
Hughes Road: 022-66123500/11  
Shaman Wheels, Off BKC: 022-24228787

**NAVI MUMBAI:**  
Shaman Wheels: 022-24228787

**NAGPUR:**  
Auto Hangar: 0-9223540191/  
07104-238180/1/2/3

**NASHIK:**  
Indisch Motoren: 0253-6645555

**PUNE:**  
B. U. Bhandari, Baner: 020-67212129  
B. U. Bhandari, Bund Garden: 020-67212131  
Trinity Motors: 020-67342525

**RAJKOT:**  
Benchmark Cars: 0-9377750050

**RAIPUR:**  
Auto Hangar: 0771-6537801/0-8518887155

**SURAT:**  
Benchmark Cars: 0-9377660066

**VADODARA:**  
Benchmark Cars: 0-9377390001

### SOUTH:

**BENGALURU:**  
Sundaram Motors: 080-22070720/21

Akshaya Motors, Mysore Road:  
080-22966300, 0-9066030989

Akshaya Motors, Koramangala:

080-22966296, 0-9019326026

**CALICUT:**  
Bridgeway Motors: 0495-30 55555

**CHENNAI:**  
Trans Car: 044-40200300  
Titanium Motors: 044-66498080/8181/8282

**COIMBATORE:**  
Sundaram Motors: 0422-2452020

**COCHIN:**  
Rajasree Motors:  
0484-2706332/2706432/2706134  
2607027/37/47

**HYDERABAD:**  
Mahavir Motors: 040-43403004  
Silver Star: 040-30003535/0-72888862888

**MADURAI:**  
Sundaram Motors: 0452-2320433/  
0-9500966946

**MANGALORE:**  
Sundaram Motors: 0824-2214833/2215833/  
0-9008442155

**TRIVANDRUM:**  
Rajasree Motors: 0471-2380377/  
0-9846547551

**VIJAYAWADA:**  
Mahavir Motors: 0866-2082559/  
0-9885303004

## MERCEDES-BENZ CERTIFIED:

**AHMEDABAD:**  
Benchmark Cars: 0-9016665000  
Emerald Motors: 0792-6446694/95

**BENGALURU:**  
Akshaya Motors: 0-9019944044  
Sundaram Motors: 080-22070746/  
0-9880662051

**CHANDIGARH:**  
Joshi Autozone: 0-9878941930/  
0172-5050500/510

**CHENNAI:**  
Transcar: 0-9841049994

**COIMBATORE:**  
Sundaram Motors: 0422-2452020

**DELHI:**  
T&T Motors, Mathura Road: 0-9711774424  
T&T Motors, West Delhi: 0-9711112243

**GHAZIABAD:**  
Silver Arrows: 0-9718200500

**HYDERABAD:**  
Adishwar: 0-7799633004

**INDORE:**  
Benchmark Cars: 0731-6675520

**KOCHI:**  
Rajasree Motors: 0-9846547311

**LUCKNOW:**  
Smart Hoops: 0-8189004408/9/10

**MOHALI:**  
Panjab Motors: 0172-4290000

**MUMBAI:**  
Autohangar India: 0-9223546204,  
0-9223547099  
Shaman Wheels: 0-9619023450/  
022-69543333

**PUNE:**  
B U Bhandari: 020-67212172/0-8605118555

## AMG PERFORMANCE CENTERS:

**BENGALURU:**  
Sundaram Motors: 080-22070720/21

**DELHI:**  
T&T Motors: 011-66574309

**HYDERABAD:**  
Mahavir Motors: 0-9885033004/  
0-9885653004

**MUMBAI:**  
Auto Hangar: 022-67434360/61/65

**PUNE:**  
B.U. Bhandari: 020-67212131/0-8554055555

Our national toll-free no.:  
**1800 102 9222**

One Call. All Answers.

For a complete list of  
Mercedes-Benz outlets,  
please explore the dealer locator  
tab on [www.mercedes-benz.co.in](http://www.mercedes-benz.co.in)

**Mercedes-Benz India Private Limited:** E-3, MIDC Chakan - Phase III, Chakan Industrial Area, Kuruli & Nighoje, Tal: Khed, Pune - 410 501 (India)  
Toll free No.: 1800 102 9222. e-mail: customerconnect@daimler.com, **website: [www.mercedes-benz.co.in](http://www.mercedes-benz.co.in)**

**Please note:** This brochure is intended for general information, description and illustration of the Product including optional functions and equipment and may not be specific to a Product since specification of a product may change from time to time. Optional features, functions and equipment etc. may not be present in the Standard or Variant Product or Special Edition Product. Further, Standard specifications of a product may also vary from time to time. Colours may differ from those shown in pictures in the brochure, owing to printing. Mercedes-Benz India reserves the right to make changes, at any point of time, without prior notice, in design, colours, materials, components, equipment, specifications, features, functions, make and models etc. The information given in this brochure shall be regarded as accurate at the time of going to print and may vary thereafter due to any developments or any other reason. Interested parties should confirm with the Authorised Dealer about the correct specification of the product they desire to purchase. For the latest authentic information and updates, kindly contact your nearest Authorised Dealer.

All title, ownership rights and intellectual property rights in and relating to this brochure / magazine or publication material or any copies thereof including but not limited to copyright, logos, names, trademarks, service marks, design, text, images, links, concepts and themes are owned by Daimler AG and/or its subsidiaries collectively or used under authorised license by the Daimler AG. Any reproduction, transmission, publication, performance, broadcast, alteration, license, creation of derivative works or other use in whole or in part in any manner without the prior written consent of the Daimler AG is strictly prohibited.

Month of going to press: November, 2016. Mercedes-Benz cars: The CLA meets Bharat Stage IV equivalent emission norms.

CIN - U34102PN1994PTC083160