


THE NEW ŠKODA KODIAQ



ŠKODA
SIMPLY CLEVER



INTRODUCTION	3
EXTERIOR DESIGN	4
LIGHT DESIGN	10
INTERIOR DESIGN	14
CONNECTIVITY	18
SIMPLY CLEVER	22
COMFORT	32
SAFETY	38
PERFORMANCE	44
COLOURS AND UPHOLSTERY	50
ACCESSORIES	51
TECHNICAL SPECIFICATIONS	54
KODIAQ LAURIN & KLEMENT	60



KODIAQ

KODIAQ

KODIAQ
4x4



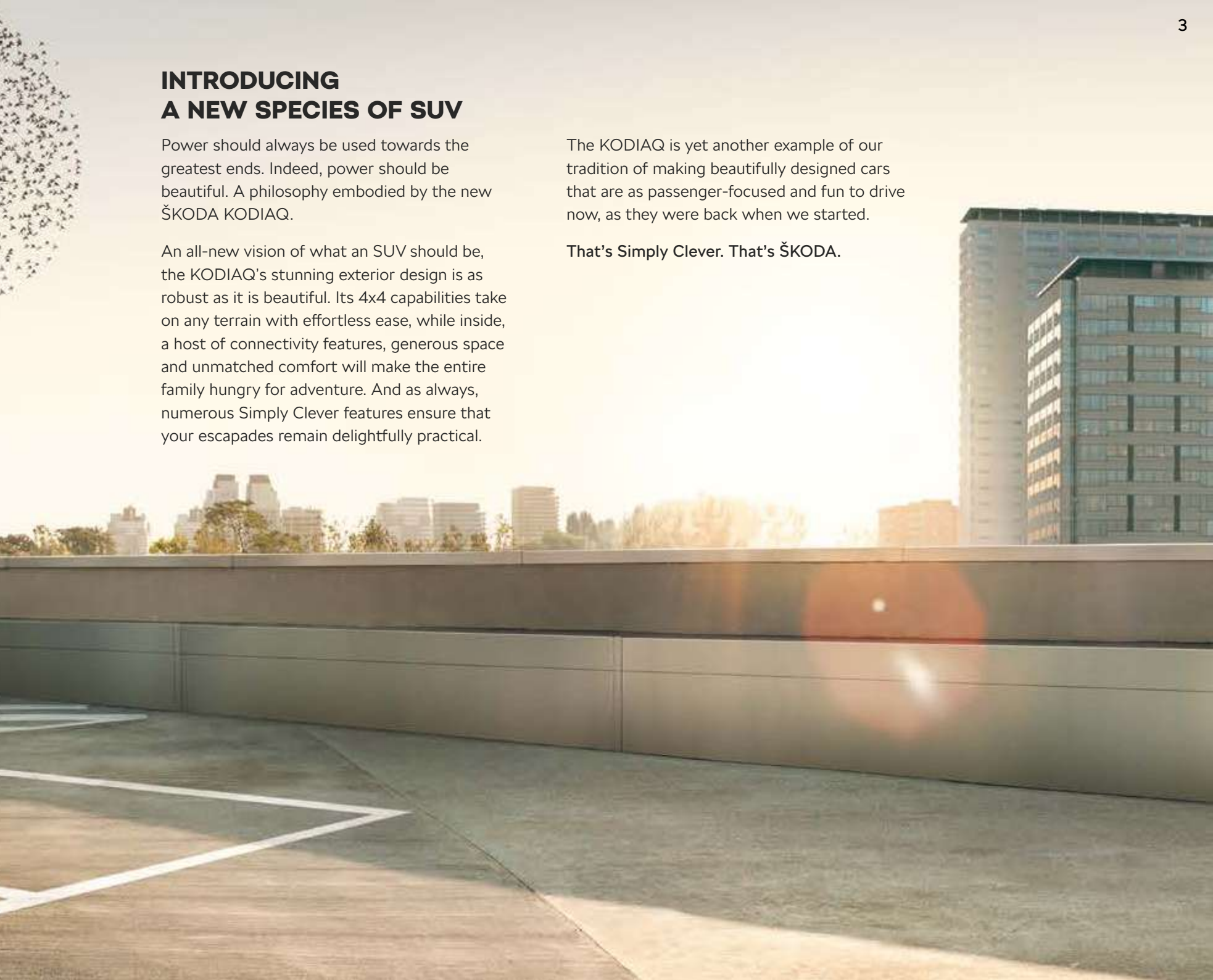
INTRODUCING A NEW SPECIES OF SUV

Power should always be used towards the greatest ends. Indeed, power should be beautiful. A philosophy embodied by the new ŠKODA KODIAQ.

An all-new vision of what an SUV should be, the KODIAQ's stunning exterior design is as robust as it is beautiful. Its 4x4 capabilities take on any terrain with effortless ease, while inside, a host of connectivity features, generous space and unmatched comfort will make the entire family hungry for adventure. And as always, numerous Simply Clever features ensure that your escapades remain delightfully practical.

The KODIAQ is yet another example of our tradition of making beautifully designed cars that are as passenger-focused and fun to drive now, as they were back when we started.

That's Simply Clever. That's ŠKODA.



A photograph of a white SUV parked on a dirt path in a forest. The ground is covered with fallen autumn leaves in shades of brown, orange, and yellow. A large tree trunk is visible on the left side of the path. The background shows more trees and a misty or hazy atmosphere. The text "EXTERIOR DESIGN" is overlaid in large, bold, white capital letters across the bottom half of the image.

EXTERIOR DESIGN



KODIAQ

BEAUTY OF THE BEAST

Ready to take on the toughest conditions, the ŠKODA KODIAQ radiates majestic power. Its precise, sharp lines are shaped by ŠKODA's new design language for SUVs, making it distinctive and timeless. Whether judged on its details or as a whole, it's clear that form and function are in perfect harmony here. The KODIAQ is a muscular beauty that combines a robust body with impressive off-road capability.



HEADLAMPS AND FOG LAMPS

The concept for the front headlights is one of the KODIAQ model's characteristic elements. The location of the sharply drawn fog lamps at the height of the radiator grille, where they are protected from damage, clearly shows the car's off-road ambitions.

**SIDE VIEW**

The sharp edges combined with smooth surfaces create unique conditions for the effective interplay of light and shadow. The square wheel arches, angular mud flaps with plastic edges and the protective sill covers show that this car is equally at home on rough roads.

REAR VIEW

The roof railings emphasise the attractiveness of the exterior. The rear lights penetrate deep into the fenders, thus also perfectly illuminating the car from the side.





DOOR SILL STRIPS

The style quotient of the car is underlined by the decorative door sill strips with the KODIAQ inscription - a clear nod to the car's overall blend of form and function.



HONEYCOMB TRIM STRIP

The strip between the "cat's eye" reflectors has an aesthetic as well as practical function. It runs around the edge of the luggage space, protecting the bumper from damage during load handling. A closer look at the strip reveals a honeycomb motif.

PANORAMIC SUNROOF

The KODIAQ opens up new vistas with the electrically-adjustable panoramic sunroof, which enhances the feeling of space.





LIGHT DESIGN



THE ART OF ILLUMINATION

Innovative crystalline design meets innovative technology. With its mysterious beauty, the illuminated KODIAQ represents an impressive experience and is also the uncompromising embodiment of the credo "see and be seen".

FULL LED HEADLAMPS WITH AFS AND FOG LAMPS

The LED headlamps offer high performance and high energy efficiency. The AFS (Adaptive Frontlight System) adjusts the lighting intensity to specific conditions (e.g. city, motorway or driving in the rain), while the main headlamps boast an eye-catching integrated strip of LED daytime running lights. Under poor light conditions, the LED fog lamps come into their own, ensuring maximum safety.





LED REAR LIGHTS

The rear lights have LED technology as standard, while the crystalline design refers to Czech cubism and the country's glass-making tradition. Their sharp lines and distinctive C-shape, which is typical of ŠKODA cars, makes the vehicle stand out confidently.





INTERIOR DESIGN

INNER BEAUTY

Make your space more cosy and comfortable with soft, harmonious ambient lights running along the inside of the car, setting the perfect mood for any journey.



LED AMBIENT LIGHTING

It's up to you to choose one favourite colour or to complement each day with a different tone. The ambient lighting offers ten appealing colour options - Cool White, Fire Orange, Cinnamon, RS Red, Pink, Purple, Dusk Blue, Azure, ŠKODA Green and Acid Green.

FOOT AREA ILLUMINATION

The discrete illumination turns a comfortable space into an exceptional one. Experience ultimate comfort thanks to the interior lights, and enjoy a discreetly lit ambience during your journey.



Green ambient lighting



Blue ambient lighting

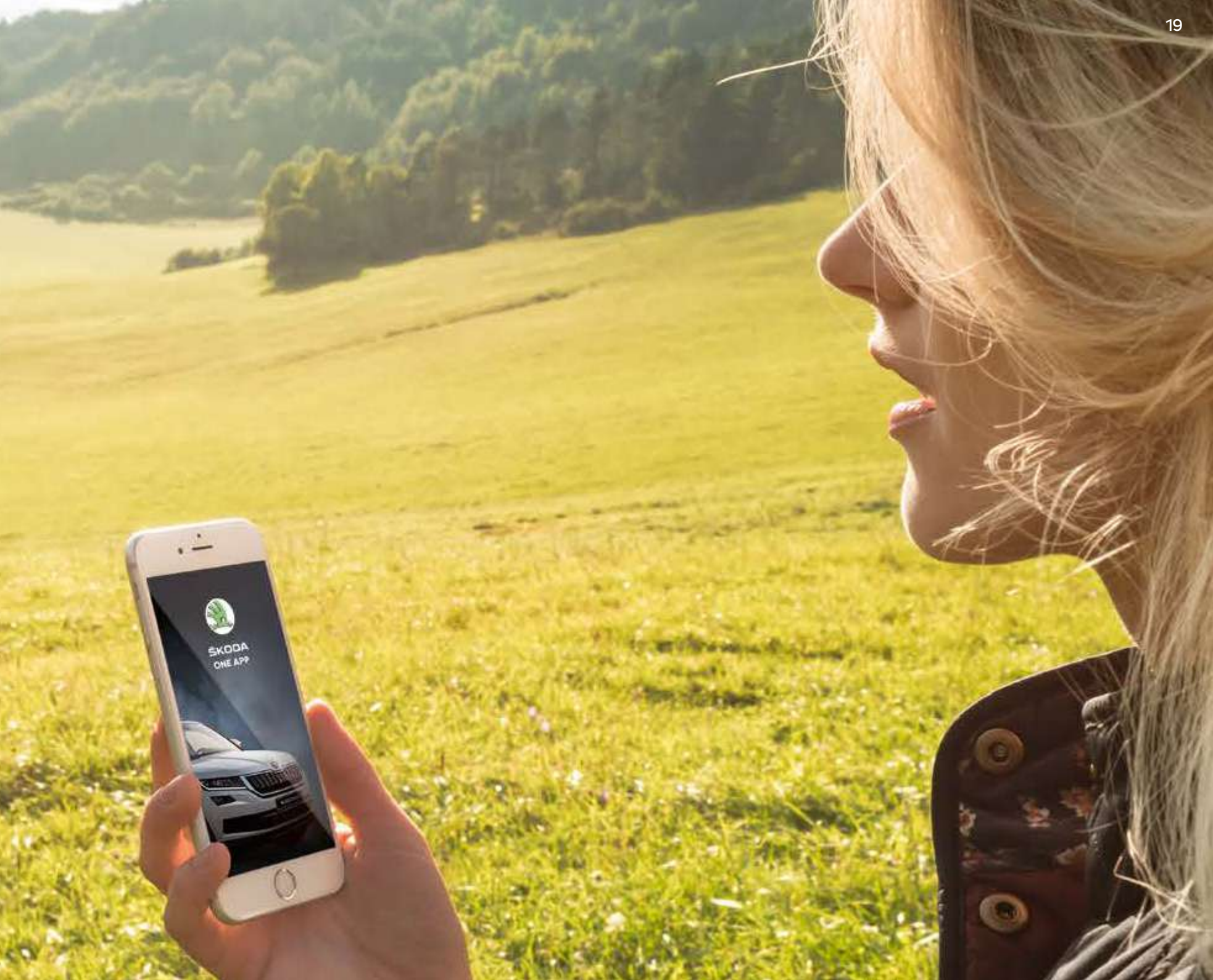


Red ambient lighting



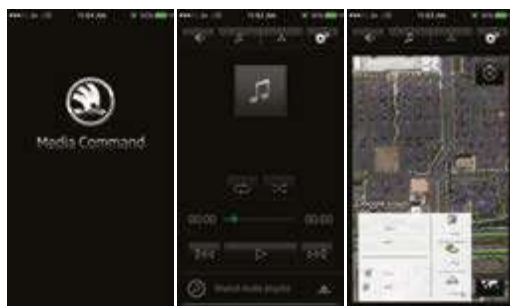


CONNECTIVITY



INFOTAINMENT ON THE GO

Infotainment has moved on in leaps and bounds. You can look forward to an attractive design and plenty of amazing functions, while the KODIAQ seamlessly syncs with your external devices. Better still, your kids will never get bored on a journey.



MEDIA COMMAND APP WITH BOSSCONNECT

The new ŠKODA Media Command App with BossConnect allows you to control the infotainment system on your phone. This feature is integrated into the Amundsen infotainment system and the new ŠKODA App, even allowing people in the back to operate the functions using their smart device.



SMARTLINK

With the SmartLink system (ŠKODA Connectivity bundle supporting MirrorLink®, Apple CarPlay and Android Auto), the car's infotainment system enables the driver to safely use the phone while driving. Plus, all installed applications that are certified as safe for vehicles are compatible with MirrorLink®, Apple CarPlay or Android Auto.



AMUNDSEN NAVIGATION SYSTEM

The top-range navigation and entertainment center features a sharp and vibrant colour touch-screen to display maps and other functions. It also offers a USB/Aux-in connection, SD card slot, Bluetooth and SmartLink Connectivity. The device can be used to control the car menu.



CANTON SOUND SYSTEM

Enjoy absolute sound clarity, whether it's music or the spoken word, on the Canton Sound System with ten speakers, including a speaker in the dashboard and subwoofer in the luggage compartment. The total power output is 575 W.



ŠKODA ONE APP

OneApp is a versatile application grouping together an array of useful assists. OneApp not only helps you to stay on top of the vehicle status and current driving data, but can also be used as a multimedia tool, for navigation, or to check the weather forecast. Smart widgets let you customise the application to reflect your personal preferences.





**SIMPLY
CLEVER**

ŠKODA'S LITTLE HELPERS

Life is easier when equipment is practical. The KODIAQ comes with features based on your real needs and includes Simply Clever details that are as ingenious as they are intuitive.

DOOR EDGE PROTECTION

When opening all side doors, plastic strips eject and cover the edges. In this way the KODIAQ protects itself against damage while also being considerate to other cars. Perfect for tight parking spaces, for instance.



UMBRELLA STORAGE COMPARTMENTS

Ingenious compartments with two original ŠKODA umbrellas are fitted inside both front doors. They are designed to let water drain away from the car, keeping the interior dry.



TICKET HOLDER

When you need to display a parking ticket in a visible place, the solution is simple. The car is equipped with a parking ticket holder under the windshield.

A POCKET FOR EVERYTHING THAT MATTERS

Children, dogs, bears, toys, snacks, plus situations you cannot anticipate – that's par for the course when travelling with the family. And the KODIAQ can handle it.



UPPER STORAGE COMPARTMENT

You will find this surprisingly spacious compartment with tilting lid in the upper part of the dashboard by the front passenger seat.



LOWER STORAGE COMPARTMENT

The closed tilting storage compartment in the lower part of the dashboard by the front passenger seat can be air-conditioned, so you have a place to store chilled refreshments during your travels.



JUMBO BOX

The spacious storage compartment is housed in the front armrest. You can, for example, store your electronic items safely inside.



BOTTLE AND MOBILE PHONE HOLDERS

We haven't forgotten about the comfort of passengers on the third row of seats. They will appreciate the holders in the luggage compartment side cover.



FRONT DOOR COMPARTMENTS

You will find a 1.5L bottle holder and a rubber strap in a spacious compartment in the front door. This is also where you can place a removable waste basket.



DRIVER'S STORAGE BOX

The driver can utilise a practical tilting storage compartment located directly below the steering wheel.

The image shows the front interior of a Volvo car. The seats are upholstered in a light beige leather with visible stitching. The steering wheel is dark with the Volvo logo in the center. The dashboard and door panels are dark, with a horizontal wood-grain trim strip. The car is parked, and the background is a bright, hazy outdoor scene. The text is overlaid on the right side of the image.

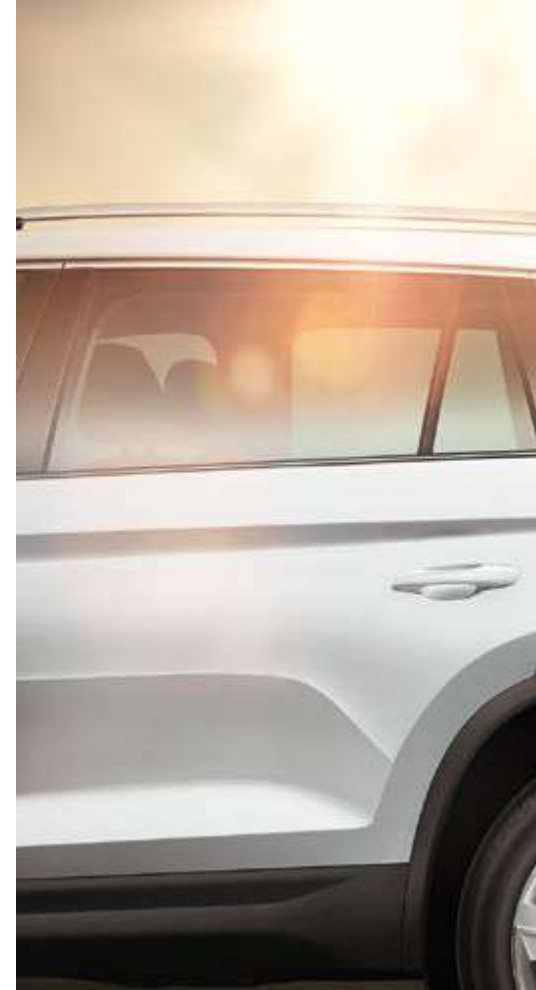
SPACE TO SHARE

How big is your family? Up to seven people can travel with ease. The elegant, functional interior inspires confidence and evokes a peaceful ambience. All the better for reconnecting with family and friends on that great outdoor adventure.



LUGGAGE, WITHOUT THE BAGGAGE

A look behind the 5th door will impress you because the KODIAQ offers unrivalled boot capacity and exceptional variability. In addition, we offer a range of Simply Clever details and solutions which you can choose according to your specific needs.



VIRTUAL PEDAL

How do you open or close the luggage compartment when your hands are full? Just swipe your foot underneath and, hey presto, it will open for you automatically.

The virtual pedal enables contact-free access and it's available exclusively with the electrically-controlled 5th door and KESSY (Keyless Entry, Start and exit SYSTEM).

**ELECTRICALLY-CONTROLLED 5TH DOOR**

It opens and closes at the mere touch of a button on the remote control or in the driver door, especially handy during unfavourable weather. You can also adjust the upper door position to suit your needs. There is a button for closing the 5th door directly on the door, too.

**LED FLASHLIGHT**

A practical removable LED flashlight can be found on the left side of the luggage compartment. It recharges automatically while the engine is running.

ROOM FOR UNEXPECTED GUESTS

Seven-seat interior

CAPACITY

If you aren't planning a journey with a full load of passengers, you can create the luggage space that you happen to need in the car. Lay the third row of seats flat, and you get 630 litres. Lay flat the second row as well, and you get a massive 2005 litres.



HOOKS

Hang up bags on the tilting hooks and you will find everything in its right place after the trip.

**DOUBLE FLOOR**

When using the third row of seats, it is necessary to remove the luggage space cover. The double floor provides a special storage space for it, so you don't have to keep it in the garage or at home.

**NET PROGRAMME**

The car also comes with practical details to make it even more versatile. In the luggage space you will find hooks for the net programme to help you keep everything tidy in the car and prevent luggage from shifting.



COMFORT



COMFORT IS YOUR CO-DRIVER

The KODIAQ lets you turn a routine trip into an extraordinarily pleasant experience. Treat yourself to some luxury on your journey to work or the shops, for the children when they are going to school, or for trips to see friends. Set out for ordinary, routine destinations with a special feeling.



KESSY

Cars equipped with KESSY (Keyless Entry, Start and exit SYstem) feature a Start/Stop button on the steering column for keyless ignition and switching off the engine.



HEADLAMP WASHERS

Integrated telescopic headlamp washers easily take care of dust and mud.



LED BOARDING SPOTS

The Boarding Spots with LEDs, designed to illuminate the entry area, are located on the external side-view mirrors.



CRUISE CONTROL

In addition to maintaining the pre-selected speed, cruise control enables you to increase or reduce speed without using the pedals.

3-ZONE CLIMATRONIC

With this state-of-the-art air conditioning system, you can set different temperatures for the driver, co-driver and rear passengers. It's also fitted with a humidity sensor, which reduces windscreen misting, and sun sensor.



ROLLER BLINDS FOR THE REAR SIDE WINDOWS

Mechanical roller blinds significantly increase passenger comfort in the rear seats on sunny days.



POWER NAP PACKAGE

Rear passengers will sleep sweetly through a long journey thanks to the Power Nap Package. It includes variable headrests of the outer seats for a comfortably supported head posture while sleeping, plus blankets.



REAR PART OF THE JUMBO BOX

On the rear part of the Jumbo Box you will find a 12V socket with 3-zone air-conditioning. You will also find the control for the rear seat zone here.



SAFETY





THERE'S HELP AT HAND

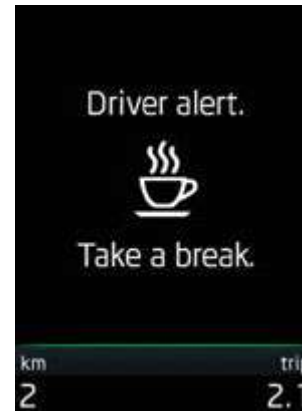
We have done everything in order to ensure that you arrive at your destination safely. The KODIAQ comes with plenty of assistants allowing you to react to various situations promptly. Some of the systems can even prevent an impending collision all by themselves.



HANDS-FREE PARKING

The KODIAQ's state-of-the-art hands free parking doesn't just give you greater comfort and orientation while parking. It gives you confidence to park like a pro every time.

Hands-free parking minimises the hassle of parking in tight spots by automatically selecting an appropriate parking place in a row of parallel or perpendicularly parked vehicles. When parallel parking, it only needs a space 60 cm longer than the car itself. In today's crowded cities and space-starved streets, hands-free parking is a blessing indeed.



iBUZZ FATIGUE ALERT

This clever assistant system evaluates data from the power steering sensors to detect any driver fatigue behaviour. In such cases, the colour MaxiDOT display warns the driver to take a break.

KEEPS THE CUBS SAFE

The KODIAQ is an excellent choice for everyone who wants to ensure the best safety for their children on the road. The reliable and robust body, equipped with many advanced safety elements, protects little passengers under all circumstances. Enjoy a feeling of maximum assurance and peace of mind.



A SPACE FOR CHILDREN

Your children will ride in the back in absolute safety and comfort. Putting the children into car seats is a pleasant business too, thanks to the large side doors and lots of space in the rear part of the interior. You can find a mount preparation for two child seats with Isofix safety on the rear side seats.



ONE-TOUCH ANTI-PINCH WINDOWS

With the One-touch Anti-pinch technology protecting you, the presence of even the smallest obstacle will stop your windows from shutting.

SAFETY FIRST, AND SECOND.

In extreme situations, where the driver cannot actively influence the outcome, the car's passive safety elements take over – like the airbags. Your car is equipped with nine of them.



FRONT DRIVER AND PASSENGER AIRBAGS

While the driver airbag is enclosed in the steering wheel, the passenger airbag is located in the dashboard.



KNEE AIRBAG

This airbag, which is located under the steering wheel's column, protects the driver's knees and shins.



**HEAD AIRBAGS**

Upon activation, head airbags create a wall protecting the front and rear occupants against head injury.

**FRONT AND REAR SIDE AIRBAGS**

These four airbags protect the pelvis and chest of the driver and other passengers in the event of a side collision.



PERFORMANCE



FORCE OF NATURE

Every family has a different story. Be it frequent trips to the mountains or long drives along the motorway. An urban adventure or off-road expedition. Whatever the story, we have the right alternative for the family. And in every case, we offer dynamism combined with excellent fuel consumption.



DIESEL ENGINE

The 2.0 TDI/ 110 (150)kW(PS) diesel engine, offers high power output, is more refined, fuel-efficient, and features lower emissions as well.



TRANSMISSION WITH 4 X 4

The car is equipped with 7-speed DSG (Direct Shift Gearbox). Whatever conditions are thrown at you, enjoy absolute comfort and fuel efficiency with a 4x4 drive.

ADAPTS TO ANY ENVIRONMENT

The KODIAQ with 4x4 drive has an adventurous spirit and great potential. Naturally, you will appreciate its great handling during every journey, but you'll enjoy it most when you go off-road. High hills, deep valleys, gravel, mud, snow, potholes? No problem.



ALL-WHEEL DRIVE

The 4x4 drive is provided by an inter-axle electronically-controlled multi-plate clutch. The coupling of the rear axle is automatic, so under normal conditions the car can utilise the advantages of front-wheel drive, and under extreme conditions the excellent traction of the 4x4 drive.



DRIVE MODE SELECT*

The Driving Mode Select for the 4x4 version includes Snow Mode, which ensures good handling even on low-grip surfaces.

*Select Modes available for India.

INTELLIGENT DRIVE MANAGEMENT

Be it on road or off road, experience a smooth and flawless drive with the ŠKODA KODIAQ. With the power to adapt to any terrain, this intelligent SUV makes your driving experience truly beautiful. Not just that. Its clever technology adjusts the torque as per the road conditions, making it handling the car a cakewalk.



CHASSIS PROTECTION

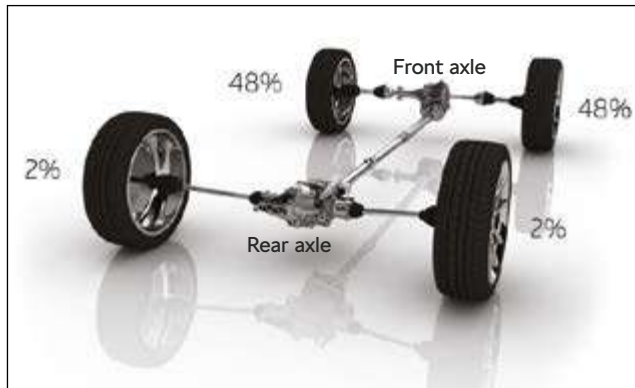
As standard, the bottom part of the KODIAQ is protected by plastic covers that, besides their protective function, are shaped aerodynamically to optimise the air flows under the car.

To increase the degree of chassis protection, the vehicle is fitted with the Rough Road Package, taking the form of additional protection for the rear suspension lateral arms and the brake hoses.

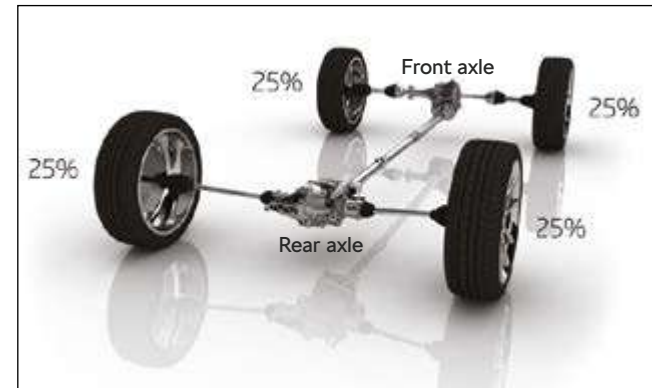
FOUR-WHEEL DRIVE

The four-wheel-drive system is based on an electro-hydraulically controlled multi-disc inter-axle clutch designed to smoothly distribute the torque between the front and rear axles in ratio ranging between 96%-4% and 10%-90%. The system can transmit as much as 85% of the available torque to a single wheel (in conjunction with the EDS).

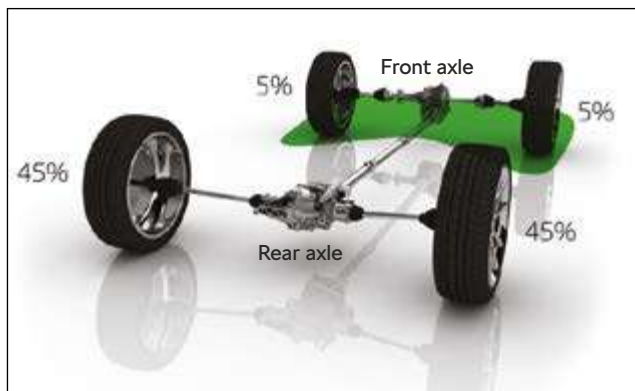
Torque distribution in various driving conditions – cooperation among the four-wheel drive system and the brake systems (ABS, ASR, EDS).



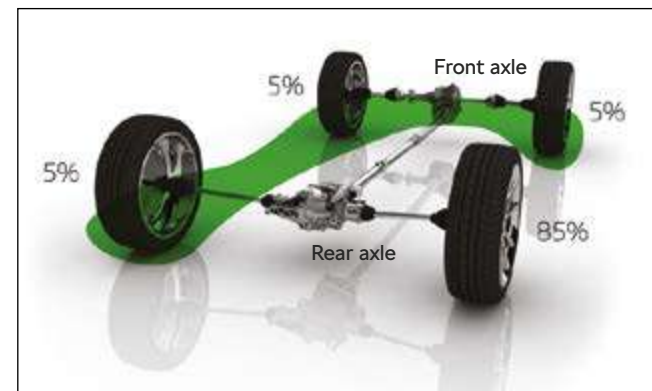
Dry road
(good traction conditions)



Slippery road
(worse traction conditions, identical for all wheels)



Poor front-wheel traction
(worse traction conditions under the front wheels)



Extreme conditions
[worse traction conditions under the front wheels and the rear left wheel (EDS intervention)]

COLOURS



MOON WHITE



QUARTZ GREY



MAGIC BLACK

WHEELS



R(18) TRINITY alloy wheels

UPHOLSTERY



Style Beige (leather)

ACCESSORIES ESSENTIAL KIT



ALL-WEATHER INTERIOR MATS



ALL-WEATHER MAT - TUNNEL



DUAL PORT CABLE



PREMIUM CUSHION PILLOWS
(SET OF 2 PCS)



REAR MUD FLAP



FRONT MUD FLAP



DOOR BIN PANEL - BEIGE



SMART HOLDER - HANGER
(3V0 061 127)



BODY COVER

OTHER ACCESSORIES



BOLT COVERS BLACK MATT (1Z0 071 215 01C), SILVER METALLIC (1Z0 071 215 7ZS), BLACK GLOSS (1Z0 071 215 989), GREY GLOSS (1Z0 071 215 UZ7), GREY MATT (1Z0 071 215 Z37), FOR WHEELS WITH SAFETY BOLTS BLACK MATT (1Z0 071 215A 01C), GREY MATT (1Z0 071 215A Z37)



DECORATIVE VALVE CAPS
(000 071 215C)



SAFETY BOLT SET
THE BOLTS REQUIRE A SPECIAL ADAPTOR TO BE UNSCREWED TO AVOID UNAUTHORIZED WHEEL REMOVAL (000 071 597C)



PORTABLE COFFEE MAKER
(000 069 641C)



THERMO-ELECTRIC COOLING BOX (20L)
WITH CAR BATTERY VOLTAGE GUARD
(000 065 400G)



THERMO-ELECTRIC COOLING BOX (15 L)
(5L0 065 400)



DECORATIVE DOOR SILL COVER WITH
ALUMINIUM INSERTS (565 071 303)



TEXTILE FOOT MATS STANDARD FOR 1ST
AND 2ND SEAT ROW RHD (567 061 404)



TEXTILE FOOT MATS FOR 3RD SEAT ROW
RHD (567 061 270 A)



SMART HOLDER – MULTIMEDIA HOLDER
(3V0 061 129)



SMART HOLDER – HOOK
(3V0 061 126)

TECHNICAL SPECIFICATIONS

EQUIPMENT	STYLE
DESIGN	
Wheels	
Alloy wheels R(18), Trinity	■
Exterior Chrome Package	
Chrome surround for radiator grille	■
Black Roof Rails	■
Chrome side window frames	■
Interior Chrome Package	
Chrome front and rear door sill trims with 'KODIAQ' inscription	■
Chrome frame on air conditioning vents, air conditioning controls, gear-shift console and headlight switch	■
Chrome interior door handles with chrome surround	■
Chrome highlights on power window buttons	■
Chrome ring on instrument cluster dials	■
Chrome trim on steering wheel	■
Interior Décor	
Dark Brushed décor	■
LED Ambient Lighting	■
Leather	
Stone Beige leather upholstery	■
Colour Coding	
Body Colour - Bumpers, external mirrors, door handles	■
SAFETY	
Illumination	
Full LED Headlights with decorative cut crystal elements including illuminated "eyelashes"	■
AFS (Adaptive Front light System) with automatic headlight levelling and curve light assistant	■
Retractable headlight washers	■
Front fog lights with corner function	■
LED Daytime Running Lights	■
LED taillights with crystalline elements	■
Warning indicators on front doors	■

EQUIPMENT	STYLE
Rear fog light	■
Visibility	
Automatically dimming interior and external rear view mirror	■
External mirror defogger with timer	■
Rear windscreen defogger with timer	■
Braking	
ABS (Anti-lock Braking System)	■
EBD (Electronic Brake force Distribution)	■
MBA (Mechanical Brake Assistant)	■
HBA (Hydraulic Brake Assistant)	■
MKB (Multi collision brake)	■
Prefill (hydraulic braking system readiness)	■
Electromechanical parking brake with Auto Hold Function	■
Traction	
ASR (Anti Slip Regulation)	■
EDS (Electronic Differential Lock)	■
Stability	
ESC (Electronic Stability Control)	■
Park Distance Control	
Parktronic sensors at front and rear	■
Parktronic speaker at front and rear	■
Rear view camera with washer and display on central infotainment system	■
Hands-free Parking	■
Airbags	
Dual front airbags with deactivation function for front passenger airbag	■
Side airbags at front	■
Side airbags at rear	■
Curtain airbags at front and rear	■
Driver knee airbag	■
Occupant Restraint	
Driver seatbelt warning light	■
Height-adjustable three-point seatbelts at front	■

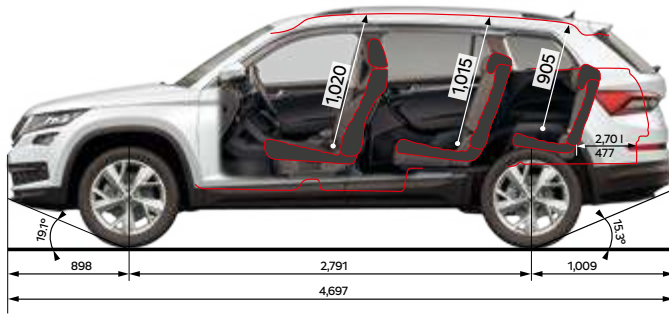
EQUIPMENT	STYLE
Three-point seatbelts at rear (second and third row)	■
Height adjustable head restraints at front	■
Three height adjustable head restraints at rear	■
Two Isofix child-seat preparations on outer second row of seats	■
Three child safety seat anchorage points behind second row of seats	■
Undercarriage Protection	
Underbody protective cover and rough road package	■
More	
Acoustic warning signal for overrun speed	■
Fuel supply cut-off in a crash	■
Door Edge Protector	■
All five door-open indicator	■
Dual-tone warning horn	■
High level third brake LED light	■
Emergency triangle in the luggage compartment	■
iBuzz Fatigue Alert	■
SECURITY	
Electronic Theft Deterrence	
Engine immobiliser with floating code system	■
Anti theft alarm with interior monitoring	■
Remote Operation	
Remote control key, two	■
Remote control locking and unlocking of doors and boot lid	■
Remote control opening and closing of windows	■
Remote control opening and closing of boot lid	■
Remote control closing of door mirrors	■
Remote control closing of electric sunroof	■
KESSY - Keyless Entry, Start and exit System with engine start/stop button	■
More	
Central locking controls on the front centre console	■
COMFORT	
Sunroof	
Panoramic Electric sunroof including to second row with bounce-back system	■
Electric Sunroof cover with bounce back system	■
Steering Wheel	
Height and length adjustable steering wheel	■

EQUIPMENT	STYLE
Seats	
12-way electrically adjustable driver seat including lumbar support	■
12-way electrically adjustable front passenger seat including lumbar support	■
Driver and co-driver seats with three programmable memory functions	■
Expanded shoulder support for front seats	■
Height and length adjustable front centre armrest	■
Rear seat centre armrest	■
Second row seats with 2 position seatback	■
Power Nap Package with 2 blankets in 2nd row outer headrests	■
Entertainment	
ŠKODA audio player with 20.32 cm LCD TFT colour display and touchscreen controls	■
Central infotainment system with proximity sensor	■
Canton Sound System - 10 speakers	■
BossConnect through ŠKODA Media Command App	■
Audio controls on steering wheel	■
SmartLink - smartphone mirroring of certified functions/applications on Infotainment display	■
Navigation System	■
USB Port connectivity	■
Voice command control	■
SD data card reader	■
Climate Control	
Climatronic - automatic air conditioning with electronic regulation of cabin temperature	■
3-Zone Climatronic - temperature control on rear centre console	■
Adjustable rear air conditioning vents	■
Rear air conditioning vents under front seats	■
Automatic air circulation, including AirCare function	■
Upholstery	
Stone beige leather seat upholstery	■
Leather wrapped steering wheel	■
Leather wrapped gear-shift selector	■
Rear Screens	
Roll-up sun visors for rear windows	■
External Mirrors	
Electrically adjustable, heated and foldable external mirrors	■

EQUIPMENT	STYLE
Three programmable memory settings	■
Left external mirror auto-tilt on reverse gear selection	■
Windows	
Front and rear electrically adjustable windows	■
One-touch operation	■
Bounce-back system	■
CONVENIENCE	
Virtual boot lid release pedal	■
Electrically controlled opening and closing of 5th door	■
Telephone Pre-Installation	
GSM telephone preparation with Bluetooth®	■
Telephone controls on multi-function steering wheel	■
Bluetooth® audio streaming	■
Gear-shift Operation	
Gear-shift controls on steering wheel	■
Information Display	
Central infotainment system	■
Colour MaxiDOT Board computer – with Audio / Telephone / Vehicle / Driving Data / Navigation function	■
Electronic Driving Aid	
Cruise control	■
Automatic front wiper system with rain sensor	■
Exterior Illumination	
Light Assistant – coming home and leaving home lights in low light	■
LED Boarding spot lamps in external mirrors	■
Interior Illumination	
Colour programmable interior ambient lighting	■
Diffused footwell lighting	■
LED reading spot lamps for all three rows of seats	■
Automatic illumination of vanity mirrors	■
Illumination of luggage compartment with Removable boot lamp	■
Electrical Power Outlets	
12V power sockets in centre console (front and rear)	■
12V power socket in luggage compartment	■
More	
Two foldable roof handles, at front and rear	■

EQUIPMENT	STYLE
Drive Mode Select	■
Digital Voice Enhancement	■
STORAGE	
Wet case in both front doors with ŠKODA umbrella (2 units)	■
Luggage Compartment	
270 litres luggage compartment space	■
630 / 2005 litres of total luggage space with rear seatbacks folded	■
Storage compartments for cover in luggage compartment	■
Two foldable hooks in luggage compartment	■
4+4 load anchoring points in luggage compartment	■
40:20:40 split of second row seats and completely folding third row seat backrest	■
Passenger Compartment	
Front glovebox with cooling and illumination	■
Jumbo box – storage compartment with easy opening bottle holder	■
Co-driver upper storage compartment	■
Storage compartments in the front and rear doors	■
Easy opening bottle holder in front centre console	■
Cup holder in rear centre armrest	■
Storage compartment under steering wheel	■
Storage compartments in the front centre console	■
Net storage on passenger side of front centre console	■
Storage pockets on backrests of front seats	■
More	
Coat hook on rear roof handles and B-Pillars	■
Ticket holder on A pillar	■
Retaining clip on front sun visors	■
Cargo elements in luggage compartment	■
Removable rear shelf	■

- optional equipment
- standard equipment
- not available



TECHNICAL DESCRIPTION	TDI (A)	
Engine		
Engine type	turbocharged diesel engine with common rail system	
Cylinders	4	
Displacement [cm3]	1968	
Max. power/revs [kW(PS) at rpm]	110(150)/3,500-4,000	
Max. torque/revs [Nm at rpm]	340/1,750-3,000	
Fuel consumption - rule 115 of CMVR [kmp/l]	16.25*	
Transmission		
Wheel drive	4x4	
Transmission	Automatic 7-speed DSG	
Chassis		
Front axle	McPherson suspension with lower triangular links and torsion stabiliser	
Rear axle	Multi-element axle, with longitudinal and transverse links, with torsion stabiliser	
Braking system	Hydraulic dual-diagonal circuit braking system vacuum assisted with Dual Rate	
Brake - front	Disc with inner cooling and with single-piston floating calliper	
Brake - rear	Disc Brakes	
Steering system	Power assisted - Electric	
Wheels	7J x 18, 4J x 18	
Tyres	235/55 R18 100V / 145/85 R18, 103 M	
Outside dimensions		
Length[mm]	4697	
Width [mm]	1882	
Height (with roof rack) [mm]	1665 (1676)	
Wheel base [mm]	2791	
Ground clearance (unladen condition) [mm]	188	
Ground clearance (solo condition) [mm]	140	
Inside dimensions		
Storage capacity [l]	270	
Storage capacity with rear seatback folded down [l]	2005	
Weights	Style	Laurin & Klement
Kerb weight [kg]	1799	1826
Gross weight [kg]	2449	2449
Liquids		
Tank capacity [l]	63	
Performance		
Turning circle diameter [m]	12.2	

*As per ARAI.



4-Year ŠKODA Warranty

- › 4 Years/100,000 Km manufacturer-backed additional warranty
- › Promotional offer applicable in 3rd and 4th year up to a maximum mileage of 100,000 Km, it remains with the vehicle even after changing hands

4-Year ŠKODA Assist

- › Exclusive 24x7 non-stop assistance service for 4 years, unlimited Km
- › Assistance on-the-go any time of the day or night and anywhere in India

4-Year ŠKODA Maintenance Package

- › 4 Years/60,000 Km, 4 periodic maintenance services at the interval of 15,000 Km or one year (whichever comes first)
- › Benefits redeemed at all authorised ŠKODA dealers across India, transferrable at the time of resale



ŠKODA Insurance

- › 1st year comprehensive ŠKODA Insurance
- › 3 years third party insurance

5th and 6th year Extended Warranty

- › Extended Warranty into the 5th and 6th year or 150,000 kilometres, whichever is earlier

5th and 6th year ŠKODA Assist

- › Roadside assistance 24 hours a day, 365 days a year

4 Year ŠKODA Maintenance Package and ŠKODA Shield Plus are optional. Terms and conditions apply.

MyŠKODA APP

Feature Highlights:



My Garage

All details of your ŠKODA car in one place



Complete Service History

Your ŠKODA's complete history is now easily accessible with the MyŠKODA app



Dealer Locator

Now locate your closest dealer no matter where you are in India



Book a Service

Booking a service at a ŠKODA service center of your choice is now at your fingertips



Regular Offers and Updates

Stay informed and updated with regular notifications from ŠKODA India



Service Cost Calculator

Servicing a ŠKODA is a transparent affair with the service cost calculator providing customised servicing cost details

Download the MyŠKODA App for a hassle-free ownership experience.



THE NEW ŠKODA

KODIAQ

LAURIN & KLEMENT





ŠKODA
SIMPLY CLEVER





TAKE A STEP UP

The ŠKODA KODIAQ is our flagship SUV, and its most refined iteration is named after our founders, LAURIN & KLEMENT.

Because it bears their name, nothing has been spared – a chrome grille, exclusive Laurin & Klement badges, unique R(18) Trinity Alloy wheels and interior trims allow you to conquer new ground in style. And being a ŠKODA at heart, the elegance of the KODIAQ LAURIN & KLEMENT is matched with Simply Clever solutions, generous space and modern connectivity features.

The KODIAQ LAURIN & KLEMENT is yet another example of our philosophy of making beautifully designed cars that are as much a joy to drive now as they were back when we started.

That's Simply Clever.
That's ŠKODA.

Laurin & Klement



A SIGNED PIECE OF ART

The original LAURIN & KLEMENT badge is a reminder of ŠKODA's founding fathers. Their focus was on the highest level of craftsmanship, revolutionary technical design and a personal approach to customers.

So we continue that tradition. And it's fitting that the most luxurious ŠKODA vehicles carry the name LAURIN & KLEMENT, a perfect testament to our predecessors' legacy.

The image shows the interior of a car, focusing on the dashboard and center console area. The dashboard is dark-colored with two large air vents on either side of the center console. The center console has the 'Laurin & Klement' logo. The steering wheel is visible on the left side, and the gear shift area is on the right. The overall lighting is dim, suggesting an evening or night setting.

THE DRIVING IS EASY

Both drivers and passengers can expect maximum comfort inside the KODIAQ LAURIN & KLEMENT. The interior is characterised by high-quality materials and original design features. Driving pleasure is enhanced by exclusive equipment including, among other things, the multifunctional leather steering wheel and LED ambient lighting, which runs along the inside of the car.



BESPOKE, FROM EVERY ANGLE

Luxurious details and styling accents are found throughout the car. This elegance is suitably accompanied by impressive performance. Add to this the 4x4 drive, and driving becomes a much more enjoyable and safer experience.



STYLISH DETAIL

A decorative strip in Piano Black carries the Laurin & Klement badge.

INTERIOR DESIGN

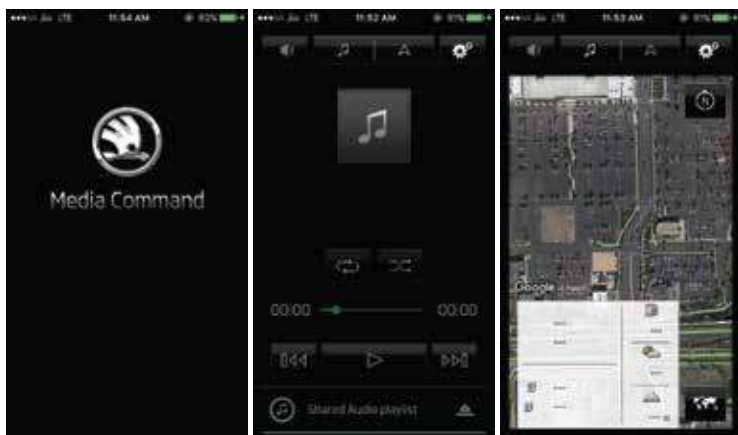
The interior features black or beige leather upholstery with the LAURIN & KLEMENT logo embroidered on the seat backrests. Naturally, the electrically-adjustable driver seat with built-in memory also comes as standard.





INFOTAINMENT ON THE GO

Infotainment has moved on in leaps and bounds. You can look forward to an attractive design and plenty of amazing functions, while the KODIAQ LAURIN & KLEMENT seamlessly syncs with your external devices. Better still, your kids will never get bored on a journey.



MEDIA COMMAND APP WITH BOSSCONNECT

The new ŠKODA Media Command App with BossConnect allows you to control the infotainment system on your phone. This feature is integrated into the Amundsen infotainment system and the new ŠKODA App, even allowing people in the back to operate the functions using their smart device.



ŠKODA ONE APP

OneApp is a versatile application grouping together an array of useful assists. OneApp not only helps you to stay on top of the vehicle status and current driving data, but can also be used as a multimedia tool, for navigation, or to check the weather forecast. Smart widgets let you customise the application to reflect your personal preferences.



SMARTLINK+

With the SmartLink+ system (ŠKODA Connectivity bundle supporting MirrorLink®, Apple CarPlay, Android Auto) the car's infotainment system enables the driver to safely use the phone while driving. Plus, all installed applications that are certified as safe for vehicles are compatible with MirrorLink®, Apple CarPlay or Android Auto. The SmartLink+ system also includes the SmartGate function. It enables you to connect your smartphone to the car via cable to access interesting data about your drive, like driving economy, driving dynamics or service information. (Visit our website for usage terms and compatibility information for SmartLink+.)



DECORATIVE DOOR SILL COVER WITH STAINLESS STEEL INSERTS

The style quotient of the car is underlined by the decorative door sill strips with the KODIAQ inscription. A clear nod to the car's overall blend of form and function.



EVERY ANGLE COVERED

Obstacles come from every direction and in all shapes and sizes. Once Area View is activated, four wide-angled cameras make you aware of the challenges immediately surrounding you, enabling you to react quickly to whatever comes your way.



PEDAL COVERS

The chrome foot pedal covers are stylish. They also enhance the driver's comfort.



VIRTUAL COCKPIT

A perfect overview is provided by the Digital Instrument Panel which can display on-board computer specifications in combination with other information such as navigation for example.

COLOURS AVAILABLE



Lava Blue



Magnetic Brown



Magic Black



Quartz Grey



Moon White

UPHOLSTERY



Stone Beige (leather)

*Magnetic Brown and Lava Blue available exclusively in LAURIN & KLEMENT

TECHNICAL SPECIFICATIONS

EQUIPMENT	L & K
DESIGN	
Wheels	
Alloy wheels R(18), Trinity	■
Exterior Chrome Package	
Chrome surround for radiator grille	■
Chrome front grill elements	■
Chrome highlights on rear diffuser	■
Silver Roof Rails	■
Chrome side window frames	■
More	
'Laurin & Klement' inscription on front fenders	■
Interior Chrome Package	
Chrome front and rear door sill trims with 'KODIAQ' inscription	■
Chrome frame on air conditioning vents, air conditioning controls, gear-shift console and headlight switch	■
Chrome interior door handles with chrome surround	■
Chrome highlights on power window buttons	■
Chrome trim on steering wheel	■
Interior Décor	
LED Ambient Lighting	■
Alu Pedals	■
Piano black interior décor with 'Laurin & Klement' inscription	■
Stitched 'Laurin & Klement' logo on the front and rear seats backrest, 'Laurin & Klement' welcome message on Infotainment	■
Leather	
Stone Beige leather upholstery	■
Colour Coding	
Body Colour - Bumpers, external mirrors, door handles	■
Side molding in body colour	■
More	
Protective elements on front bumper	■
SAFETY	
Illumination	
Full LED Headlights with decorative cut crystal elements including illuminated "eyelashes"	■

EQUIPMENT	L & K
AFS (Adaptive Front light System) with automatic headlight levelling and curve light assistant	■
Retractable headlight washers	■
Front fog lights with corner function	■
LED Daytime Running Lights	■
LED taillights with crystalline elements	■
Warning indicators on front doors	■
Rear fog light	■
Visibility	
Automatically dimming interior and external rear view mirror	■
External mirror defogger with timer	■
Rear windscreen defogger with timer	■
360° surrounding Area view	■
Braking	
ABS (Anti-lock Braking System)	■
EBD (Electronic Brake force Distribution)	■
MBA (Mechanical Brake Assistant)	■
HBA (Hydraulic Brake Assistant)	■
MKB (Multi collision brake)	■
Prefill (hydraulic braking system readiness)	■
Electromechanical parking brake with Auto Hold Function	■
Traction	
ASR (Anti Slip Regulation)	■
EDS (Electronic Differential Lock)	■
Stability	
ESC (Electronic Stability Control)	■
Park Distance Control	
Parktronic sensors at front and rear	■
Parktronic speaker at front and rear	■
Rear view camera with washer and display on central infotainment system	■
Hands-free Parking	■
Airbags	
Dual front airbags with deactivation function for front passenger airbag	■
Side airbags at front	■

EQUIPMENT	L & K
Side airbags at rear	■
Curtain airbags at front and rear	■
Driver knee airbag	■
Occupant Restraint	
Driver seatbelt warning light	■
Height-adjustable three-point seatbelts at front	■
Three-point seatbelts at rear (second and third row)	■
Height adjustable head restraints at front	■
Three height adjustable head restraints at rear	■
Two Isofix child-seat preparations on outer second row of seats	■
Three child safety seat anchorage points behind second row of seats	■
Undercarriage Protection	
Underbody protective cover and rough road package	■
More	
Acoustic warning signal for overrun speed	■
Fuel supply cut-off in a crash	■
Door Edge Protector	■
All five door-open indicator	■
Dual-tone warning horn	■
High level third brake LED light	■
Emergency triangle in the luggage compartment	■
iBuzz Fatigue Alert	■
SECURITY	
Electronic Theft Deterrence	
Engine immobiliser with floating code system	■
Anti theft alarm with interior monitoring	■
Remote Operation	
Remote control key, two	■
Remote control locking and unlocking of doors and boot lid	■
Remote control opening and closing of windows	■
Remote control opening and closing of boot lid	■
Remote control closing of door mirrors	■
Remote control closing of electric sunroof	■
KESSY - Keyless Entry, Start and exit System with engine start/stop button	■
More	
Central locking controls on the front centre console	■

EQUIPMENT	L & K
COMFORT	
Sunroof	
Panoramic Electric sunroof including to second row with bounce-back system	■
Electric Sunroof cover with bounce back system	■
Steering Wheel	
Height and length adjustable steering wheel	■
Seats	
12-way electrically adjustable driver seat including lumbar support	■
12-way electrically adjustable front passenger seat including lumbar support	■
Driver and co-driver seats with three programmable memory functions	■
Expanded shoulder support for front seats	■
Height and length adjustable front centre armrest	■
Rear seat centre armrest	■
Second row seats with 2 position seatback	■
Power Nap Package with 2 blankets in 2nd row outer headrests	■
Entertainment	
ŠKODA audio player with 20.32 cm LCD TFT colour display and touchscreen controls	■
Central infotainment system with proximity sensor	■
Canton Sound System - 10 speakers	■
BossConnect through ŠKODA Media Command App	■
Audio controls on steering wheel	■
SmartLink - smartphone mirroring of certified functions/applications on Infotainment display	■
Navigation System	■
USB Port connectivity	■
Voice command control	■
SD data card reader	■
Climate Control	
Climatronic - automatic air conditioning with electronic regulation of cabin temperature	■
3-Zone Climatronic - temperature control on rear centre console	■
Adjustable rear air conditioning vents	■
Rear air conditioning vents under front seats	■
Automatic air circulation, including AirCare function	■
Upholstery	
Stone beige leather seat upholstery	■

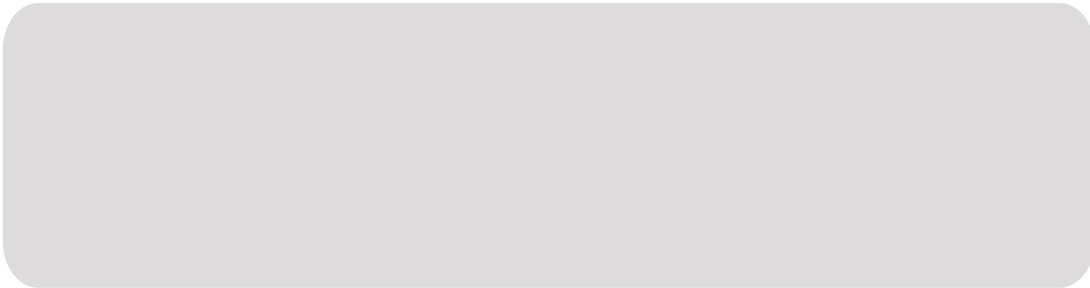
EQUIPMENT	L & K
Leather wrapped steering wheel	■
Leather wrapped gear-shift selector	■
Rear Screens	
Roll-up sun visors for rear windows	■
External Mirrors	
Electrically adjustable, heated and foldable external mirrors	■
Three programmable memory settings	■
Left external mirror auto-tilt on reverse gear selection	■
Windows	
Front and rear electrically adjustable windows	■
One-touch operation	■
Bounce-back system	■
CONVENIENCE	
Virtual boot lid release pedal	■
Electrically controlled opening and closing of 5th door	■
Telephone Pre-Installation	
GSM telephone preparation with Bluetooth®	■
Telephone controls on multi-function steering wheel	■
Bluetooth® audio streaming	■
Gear-shift Operation	
Gear-shift controls on steering wheel	■
Information Display	
Central infotainment system	■
Virtual Cockpit	■
Electronic Driving Aid	
Cruise control	■
Automatic front wiper system with rain sensor	■
Exterior Illumination	
Light Assistant – coming home and leaving home lights in low light	■
LED Boarding spot lamps in external mirrors	■
Interior Illumination	
Colour programmable interior ambient lighting	■
Diffused footwell lighting	■
LED reading spot lamps for all three rows of seats	■
Automatic illumination of vanity mirrors	■
Illumination of luggage compartment with Removable boot lamp	■

EQUIPMENT	L & K
Electrical Power Outlets	
12V power sockets in centre console (front and rear)	■
12V power socket in luggage compartment	■
More	
Two foldable roof handles, at front and rear	■
Drive Mode Select	■
Digital Voice Enhancement	■
STORAGE	
Wet case in both front doors with ŠKODA umbrella (2 units)	■
Luggage Compartment	
270 litres luggage compartment space	■
630 / 2005 litres of total luggage space with rear seatbacks folded	■
Storage compartments for cover in luggage compartment	■
Two foldable hooks in luggage compartment	■
4+4 load anchoring points in luggage compartment	■
40:20:40 split of second row seats and completely folding third row seat backrest	■
Passenger Compartment	
Front glovebox with cooling and illumination	■
Jumbo box – storage compartment with easy opening bottle holder	■
Co-driver upper storage compartment	■
Storage compartments in the front and rear doors	■
Easy opening bottle holder in front centre console	■
Cup holder in rear centre armrest	■
Storage compartment under steering wheel	■
Storage compartments in the front centre console	■
Net storage on passenger side of front centre console	■
Storage pockets on backrests of front seats	■
More	
Coat hook on rear roof handles and B-Pillars	■
Textile Floor Mat	■
Ticket holder on A pillar	■
Retaining clip on front sun visors	■
Cargo elements in luggage compartment	■
Removable rear shelf	■

- optional equipment
- standard equipment
- not available

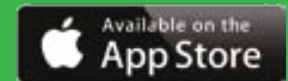
Dealer:

ŠKODA
Financial Services



**Download the
MyŠKODA App
for a hassle-free
ownership
experience.**

 **YŠKODA**



www.skodakodiaq.co.in |  Toll-free 1800 2700 260

Issue Date: April 2019

Specifications given differ from model to model. Accessories shown may not be part of standard equipment. Always insist on genuine ŠKODA Auto parts and accessories available at authorized sales and service centres. Information relating to colours, prices, construction, technical details and equipment was valid at the time of issuance and these are subject to changes without any prior notice. All disputes are subject to the Courts in Aurangabad Jurisdiction only. Terms and conditions apply.